

introducing the Innotech

Push Through Clam Shell Filler



Features

Height
Adjustable

Adjustable
Metering Hopper

All Stainless
Construction



CUSTOM CLAM SHELL
FILLERS AVAILABLE

Various Hopper Sizes

Casters Optional

Adjustable Clam Shell Guides

INNOTECH
Process Equipment
Parts . Sales . Service . Manufacturing

INNOTECHPROCESSEQUIPMENT.COM

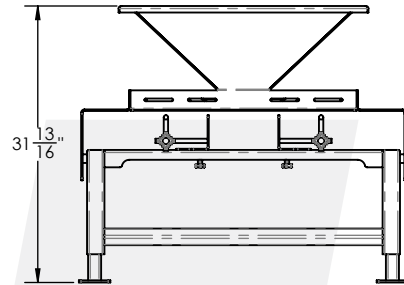
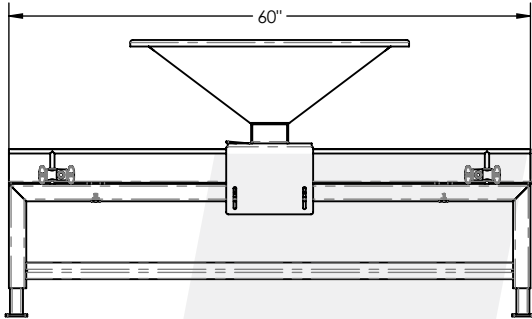
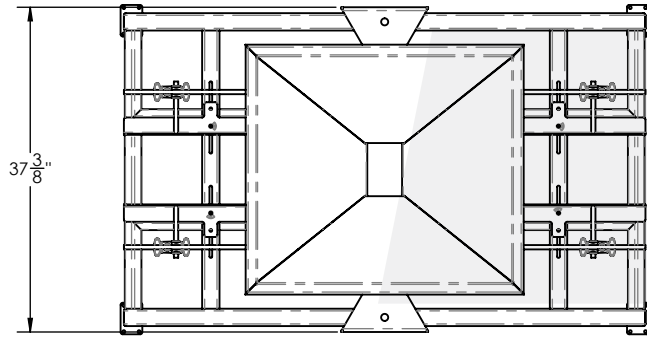


Solution Based Engineering
Superior Quality Manufacturing
Exceptional Customer Service



Specifications

Push Through Clam Shell Fillers



197LBS

- Adjustable clam shell guides
- Various hopper sizes
- Height adjustable
- Adjustable metering hopper
- All stainless construction

Options:

-Casters