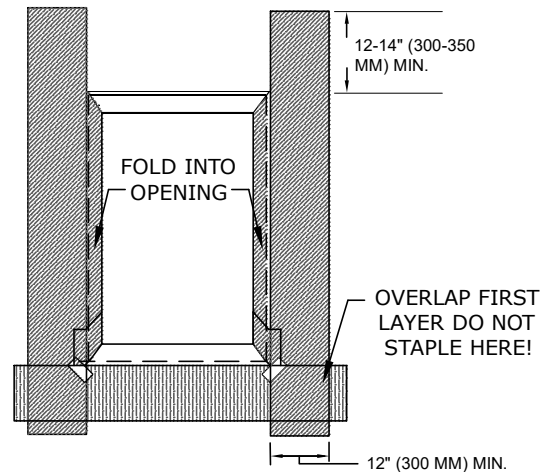
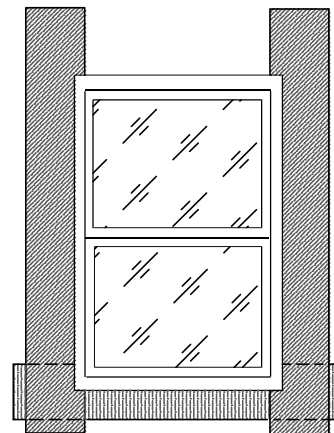


**STEP 6: CUTTING WeatherTrek® FOR JAMBS**  
 CUT THE WeatherTrek® (OR EQUAL) TO FIT  
 ROUGH OPENING JAMB



**STEP 7: INSTALLING WeatherTrek® AT JAMBS**  
 FOLD WeatherTrek® (OR EQUAL) INTO ROUGH  
 OPENING. BOTTOM LEG MUST OVERLAP FIRST  
 LAYER AS SHOWN. DO NOT STAPLE IMMEDIATELY  
 BELOW THE SILL /JAMB CORNERS.



**STEP 8: INSTALLING WINDOW**  
 AFTER THE STRIPS OF WeatherTrek® HAVE BEEN  
 INSTALLED AT THE SILL AND JAMBS AS SHOWN,  
 THE WINDOW CAN BE INSTALLED

## DDTS G1.03B DTS HERITAGE ROUGH OPENING PROTECTION

DECOPLAST DTS HERITAGE - 6/1/2016

Disclaimer: The design, specifications, and construction shall comply with all local building codes and standards. Decoplast installation guidelines are for general information and guidance only and Decoplast specifically disclaims any liability for the use of this design, and for design, engineering, or workmanship of any project. The assembly shall be designed to prevent condensation within the assembly. The designer and the user shall provide final drawings and specifications. Products shown other than those manufactured by Decoplast are shown for clarity of the Decoplast product only. Contact the manufacturer of such other products for installation instructions.