

Solid Brass Compact Accent Luminaire Lamping: Standard MR11, MR16 / MR11, MR16 LED Retrofit

PROJECT	TYPE	CATALOG NUMBER
---------	------	----------------

Fixture Description:

The LUNAR SERIES have been designed to provide discreet accent illumination. Made from solid brass they are extremely durable and compact, allowing them to provide maximum controlled illumination in a small decorative housing. The fixtures are available in many hand etched metal finishes. These finishes age gracefully as the brass fixture weathers naturally in the landscape environment.

Specifications:

Construction: Solid brass construction with optional glare shield and light control accessories. Also available as a canopy mount or ground mount accent light. (See spec sheet for Lunar Post and Stake Mount).

Lamping:

Lunar I: 35 / 50W MR16-FG (w/lens) or 5W/7W MR-16 LED Retrofit - 27K/3K.

Lunar II: 20 / 35W MR16-FG or 5W/7W MR-16 LED Retrofit - 27K/3K

Lunar III: 20W MR-11/FG or 2W MR-11 LED Retrofit - 27K/3K.

Electrical: Requires remote 12 volt source.

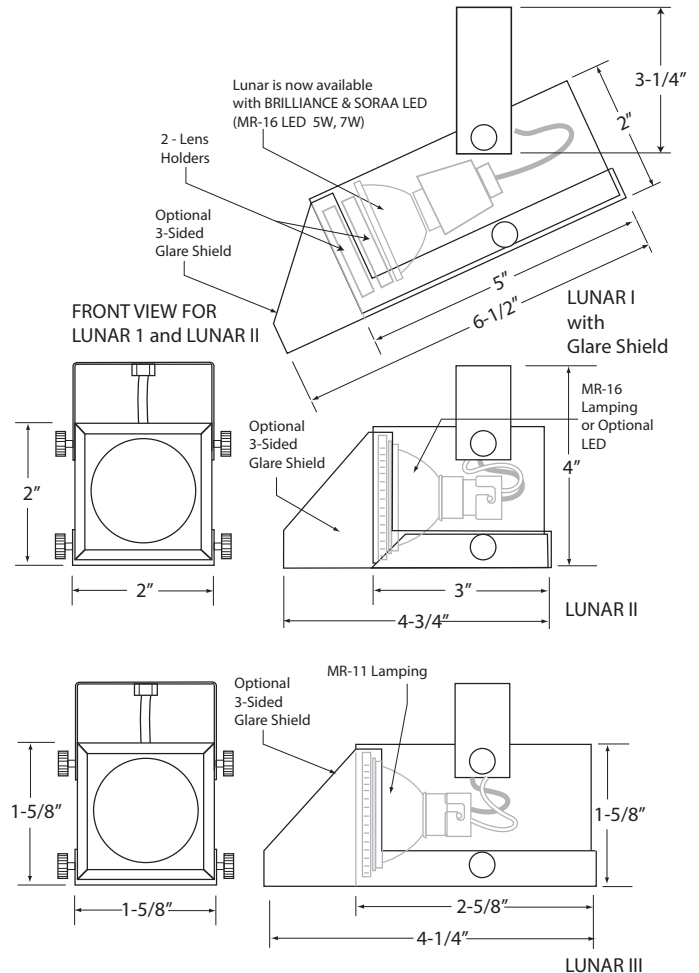
Mountings: Yoke mount, 1/2" NPT, Canopy Mount or Stake Mount

Labels:

ETL Listed Wet Location - Conforms to UL/1838

Options:

Diffusers: Diffusion and linear lens. See ordering chart below.



Finishes:

- Verdè
- Satin Nickel
- Copper Bronze
- White*
- Ancient Bronze
- Brass Bronze
- Custom
- Copper Plate
- Ancient Verdè
- Grey Bronze
- Rust Brown*
- Black*
- Pewter
- Oil Rubbed Bronze
- Copper Edge Bronze
- Black Iron Textured*
- Copper Bronze Powder Coat* (*powder coat finish)

Lamps:

Lunar I: 20 or 35W bi-pin MR16 FG; 4W/5W/7W MR16 LED Retrofit 27K/3K Lunar II: 20 or 35W bi-pin MR16 FG; 5W/7W MR16 LED Retrofit 27K/3K Lunar III: 20W bi-pin MR11 FG; 2W MR11 LED Retrofit 27K/3K

Cat. Number	Description
DL-102	Lunar I (clear or diffusion lens & yoke) lamp NOT included
DLED-102	Lunar I I (clear or diffusion lens & yoke) with LED lamp
DL-104	Lunar II (clear or diffusion lens & yoke) lamp NOT included
DLED-104	Lunar II (clear or diffusion lens & yoke) with LED lamp
DL-133	Lunar III (clear or diffusion lens & yoke) lamp NOT included
DLED-133	Lunar III (clear or diffusion lens & yoke) with LED lamp
DL-210	3-sided glare shield for Lunar I & II
DL-212	14" stake for Lunar I, II & III
DL-213	30" stake for Lunar II, II & III
DL-215	3-sided glare shield for Lunar III
DL-230	2" round canopy for all fixtures
DL-231	3-3/4" round canopy for all fixtures
DL-235	5" round canopy for all fixtures
DL-224	Honeycomb Louver
DL-226	Diffusion lens for all fixtures
DL-227	Linear lens for all fixtures
DL-228	Clear lens for all fixtures - standard

To Form a Catalog Number:	Part No.	Optics 1	Optics 2	Lamp	Beam Spread	Mounting	Finish
	DL-102	210	224	MR16-5-LED	35	212	5
Which Specifies:	DLED-102	210 - Glare Shield (Lunar I & II)	224 - Honeycomb Louver	MR11-20 (20W for Lunar III)	Spot of Narrow Flood	212 - 14" Stake (Lunar I, II and III)	5 - Ancient Bronze
	DL-102			MR11-2W-LED (2W for Lunar III)	15/30/60 Degree MR11 LED		
	DL-104	215 - Glare Shield (Lunar III)		MR16-20 (20W for Lunar I or II)	Spot or Narrow Flood	See all mounting options above left	See all finishes above
	DLED-133			MR16-35 (35W for Lunar I or II)	15/30/60/120 Degree for MR16 LED		
	DL-133			MR16 5/7W LED (for Lunar I & II only)			

Ordering Example: **DLED-102-210-224-MR16-5-30D-212-5**