

DLED-129-SSD Slim Nancy LED Path Illuminator

Solid Brass Up or Down Interior or Exterior Accent Lighting Fixture
Lamping: 1 x 3W LED

PROJECT	TYPE	CATALOG NUMBER
---------	------	----------------

Fixture Description:

A 2" wide cast brass wet and dry location path light utilizing a 3 watt energy saving 35,000 hour LED lamp for uplighting, downlighting, wall washing or grazing illumination techniques.

Construction: A solid brass sand casting with a glass sealed louvered aperture.

Electrical: DLED-129-12V: Remote 12V power supply required. **DLED-129-SSD:** 120V or 277V feed wire to LV. Integral electronic solid state power supply requiring a 120V-AC feed and supplying 12Volt AC power to the led module. Powersupply is dimmable using reverse phase technology with a neutral present.

Mounting: Solid brass 8/32" Phillips screws mount faceplate to custom housing or directly to surface.

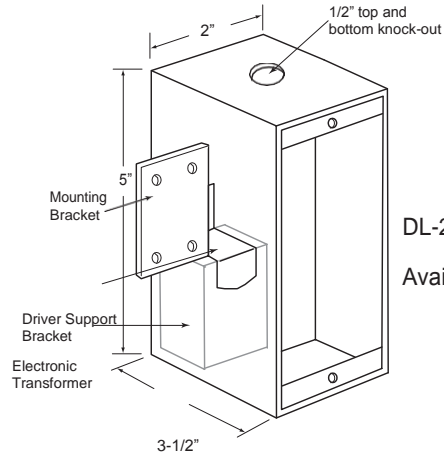
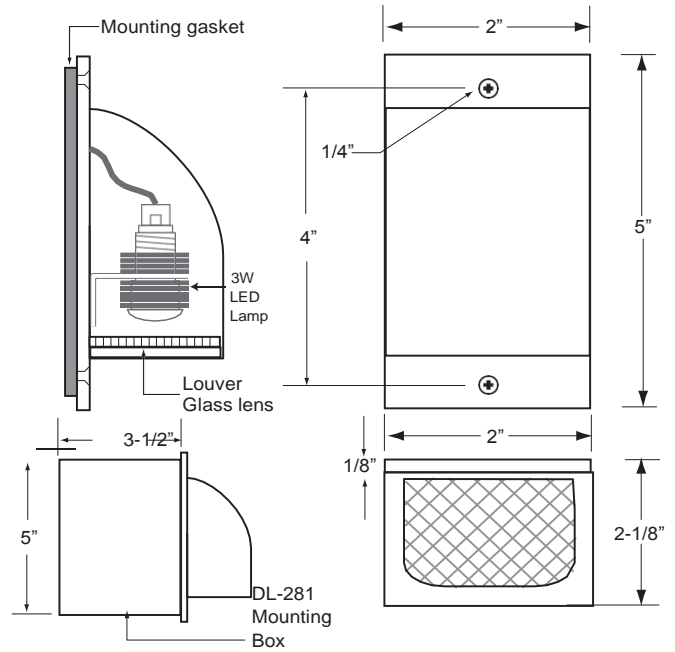
NOTE: Fixture may be mounted directly to surface without DL-281 Box and powered by a remote transformer.

Finishes:

1. Verde, 2. Satin Nickel, 3. Copper Bronze, 4. White, 5. Ancient Bronze, 6. Brass Bronze, 7. Custom, 8. Copper Plate, 9. Ancient Verde, 10. Grey Bronze, 11. Rust Brown*, 12. Black*, 13. Pewter, 14. Oil-Rubbed Bronze, 15. Copper Edged Bronze, 16. Black Iron Textured Matte*, 17. Copper Bronze Powder Coat*, 18. Marine Bronze*.

*Powder Coat Finish.

Labels: ETL Listed



DL-281 Mounting Box
Available 2" x 5" Back Box

Cat. Number	Description
DL-281	Brass Housing Mounting Box for DLED-129 LED

Cat. Number	Description
DLED-306	3W 2750K LED, 10°-40°-60°-80° 150 lumens 12V AC/DC, Optional beam patterns available

To Form a Catalog Number:	Part No. DLED-129-SSD	Voltage 120 277V	Lens B	Location DRY WET DAMP	Mounting Direction UP DOWN	Lamp DLED-306	Louver L4	Finish 5
Which Specifies:	DLED-129-SSD Includes DL-281 mounting box and SSD driver.	120V 277V	A - Clear Lens B - Diffusion	DRY WET DAMP	UP DOWN	DLED-306 3W 2750K LED 10° 40° 60° 80°	Louver	See finishes.
	DLED-129 12V Slim Nancy fixture only. No box or driver included.	12V (DLED-129 only)						
	DL-281 Mounting Box for DLED-129 and DLED-129-SSD. Diagram at upper right. 2"x5" shallow Box Available.							

Ordering Example: **DLED-129-SSD-120V-B-DRY-DLED-306-40°-5** (The SSD fixture includes a solid state driver and back box)

©2017 Dreamscape Lighting
Specifications are subject to change
Without notice.

5521 W. Washington Blvd.
Los Angeles, CA 90016

Telephone: (323) 933-5760
FAX: (323) 933-3607

www.dreamscapelighting.com
info@dreamscapelighting.com

