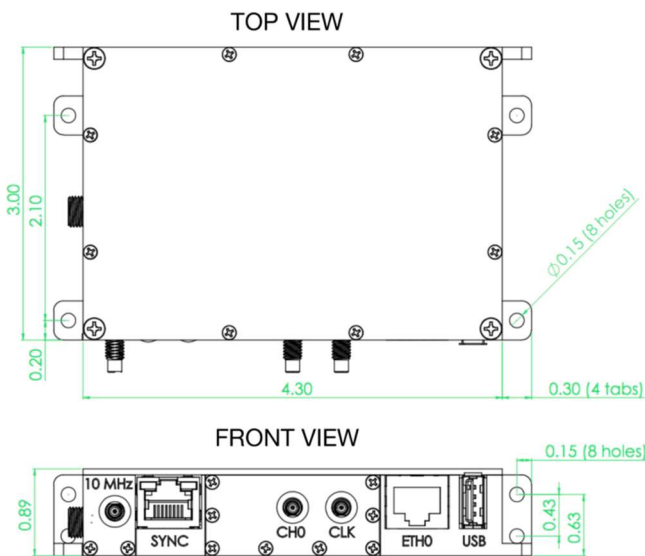


Features

- Reconfigurable at the hardware, firmware & software levels and on a pulse-to-pulse basis
- Object oriented architecture for simplified integration, configuration and operation
- Family of plugin mezzanine cards provides broad range of waveform generation and digital receiver / signal processing capabilities
- Enables seamless integration into networks
- Provides sustained data rates > 70 MB/s
- Kintex 7 FPGA fabric implements digital receiver/signal processing, waveform generation and timing & control
- Supports embedded applications
- Modular and scalable solution
- Ultra-low SWaP & conductive cooled
- Cost effective solution

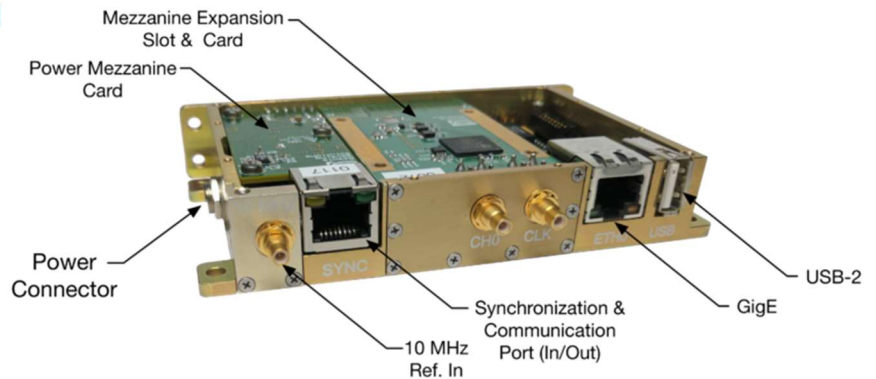
Power / Mechanical

- Power: 7-32 VDC (5-10W)
- Main Body Size: 3.0in x 4.3in x 0.89in
- Weight: 8 oz
- Conduction cooled operations from -10°C to 50°C and up to 75kft altitude
- Vertical or horizontal mounting



Interfaces

- 1 Gigabit Ethernet (GigE) Network Interface (RJ-45)
- USB-2 Host Interface
- ARENA mezzanine card bus
- 10 MHz 50Ω coaxial connector for reference clock ARENA Intra-module Synchronization Interface (enables mode and phase synchronous operation of multiple ARENAs, provides PPS for real-time clock and serial communications)



Mezzanine Interfaces

Power Mezzanine Slot

- Standard module 7-28VDC input

Mezzanine Expansion Slot

- Supports one single slot mezzanine (plugin) card
- Plugin cards supported:
 - Waveform generation
 - Digital receiver processing
 - Digital and analog I/O & I²C sensor cards
 - Rapid development of custom cards

