

FF-IPS0008F Series

8-port Unmanaged Industrial PoE Switch, with 8 10/100Base-TX PoE Port

Features



- Support 8 10/100Base-TX PoE port.
- Support IEEE802.3, IEEE802.3u, IEEE802.3x, IEEE802.3af/at.
- IEEE802.3af, maximum 15.4W power supply.
- IEEE802.3at, maximum 30W power supply.
- Industrial chip design, 15kV ESD protection, 8kV surge protection.
- 48-58VDC redundancy power, reverse polarity protection.
- Industrial grade 4 design, -40-85°C operating temperature.
- IP40 rated aluminum alloy housing, DIN-Rail mounted.

Introduction

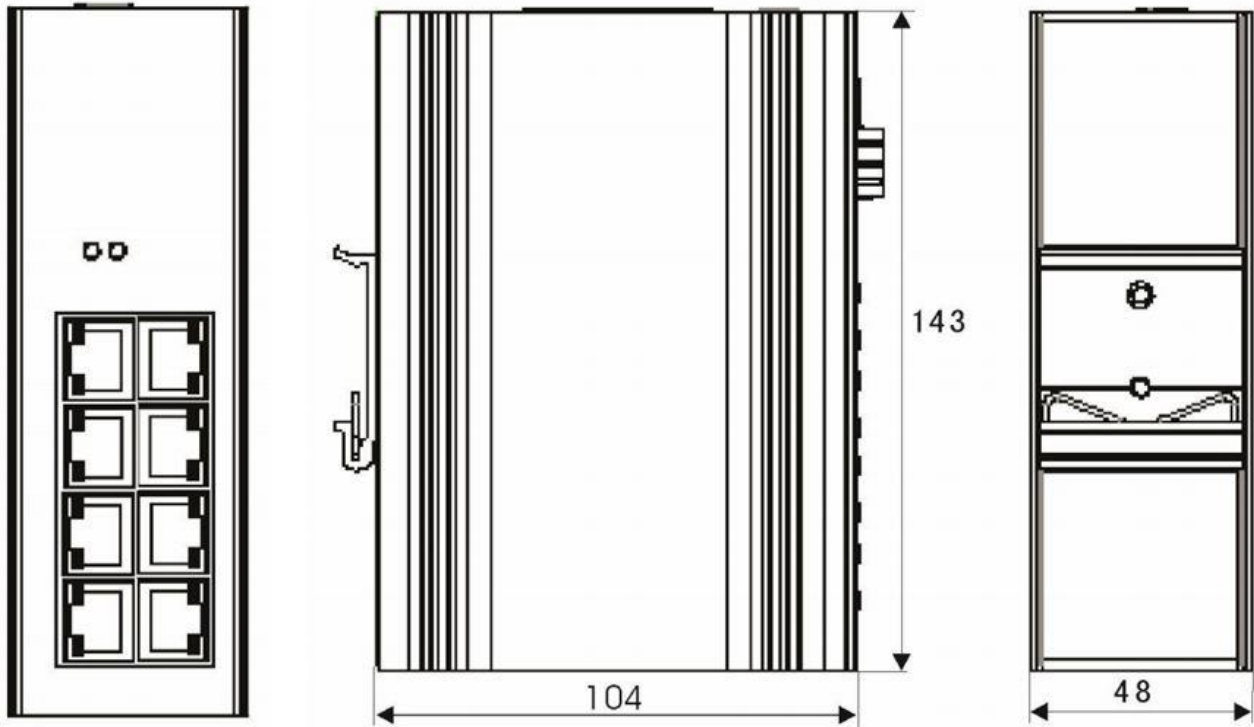
FF-IPS0008F is a plug-and-play unmanaged industrial PoE switch. This switch provides 8 10/100Base-TX Ethernet port, which support Power-over-Ethernet (PoE) function (IEEE802.3af/at). The switches are classified as power source equipment (PSE), and when used in this way, the switches enable centralization of the power supply, providing up to 30W of power per port and reducing the effort needed for installing power. The switches can be used to power IEEE802.3af/at standard devices (PD), eliminating the need for additional wiring.

FF-IPS0008F support CE, FCC, RoHS standard, adopt industry standard design, IP40 protection, rugged high-strength metal case, power input (48-58VDC). The switch support IEEE802.3, IEEE802.3u, IEEE802.3x with 10/100Base-TX, full/half-duplex, and MDI/MDI-X auto-adaptation, the -40-85°C operating temperature, can meet all kinds of industrial environment requirement, providing reliable and economic solution for your industrial Ethernet network.

Specification

Protocol Standard	IEEE802.3, IEEE802.3u, IEEE802.3x, IEEE802.3af/at
Flow Control	IEEE802.3x flow control, back press flow control
Switching Performance	Forwarding Rate: 1.19Mpps Transmission Mode: Store and Forward Packet Buffer Size: 512K Backplane Bandwidth: 1.6Gbps MAC Table Size: 1K Delay Time: < 3μs
Ethernet Port	10/100Base-TX auto speed control, half/full duplex and MDI/MDI-X auto-adaptation
PoE	Pin-out: 1/2(+), 3/6(-), IEEE802.3af max 15.4W, IEEE802.3at max 30W.
LED Indicator	Power Indicator: P1, P2 Port Indicator: LINK / ACT
Power Supply	Input Voltage: 48-58VDC Connector: 6 bit 5.08mm removable terminal block Full Load: <5W Protection Mechanism: overload protection, reverse connection protection, redundancy protection
Mechanical Structure	Shell: IP40 protection, aluminum alloy housing Dimension: 143*104*48mm(L*W*H) Weight: 550g Installation: DIN-Rail mounting, wall mounting
Operating Environment	Operating Temperature: -40-85°C Storage Temperature: -40-85°C Ambient Relative Humidity: 5%-95% (non-condensing)
Industry Standards	EMI:FCC Part 15 Subpart B Class A, EN 55022 Class A EMS:EN61000-4-2 (ESD), Level 4 at 15kV(Air), 8kV(Contact) EN61000-4-3 (R/S), Level 3 at 10V/m EN61000-4-4 (EFT), Level 4 at 4kV(Power Port), 2kV(Date Port) EN61000-4-5 (Surge), Level 4 at 4kV EN61000-4-6 (CS), Level 3 at 10V/m EN61000-4-8, Level 5 at 100A/m Shock:IEC 60068-2-27 Free Fall:IEC 60068-2-32 Vibration:IEC 60068-2-6
Certification	CE, FCC, RoHS
MTBF	>100,000 Hours
Warranty	5-years

Dimension



Order Information

Model No.	Description of Goods
FF-IPS0008F	Unmanaged Industrial PoE Switch, 8 10/100Base-TX PoE Port, DIN-Rail, 48-58VDC, -40-85°C Operating Temperature

Power Supply: 48VDC DIN-Rail Power Supply or Power Adapter is Optional.