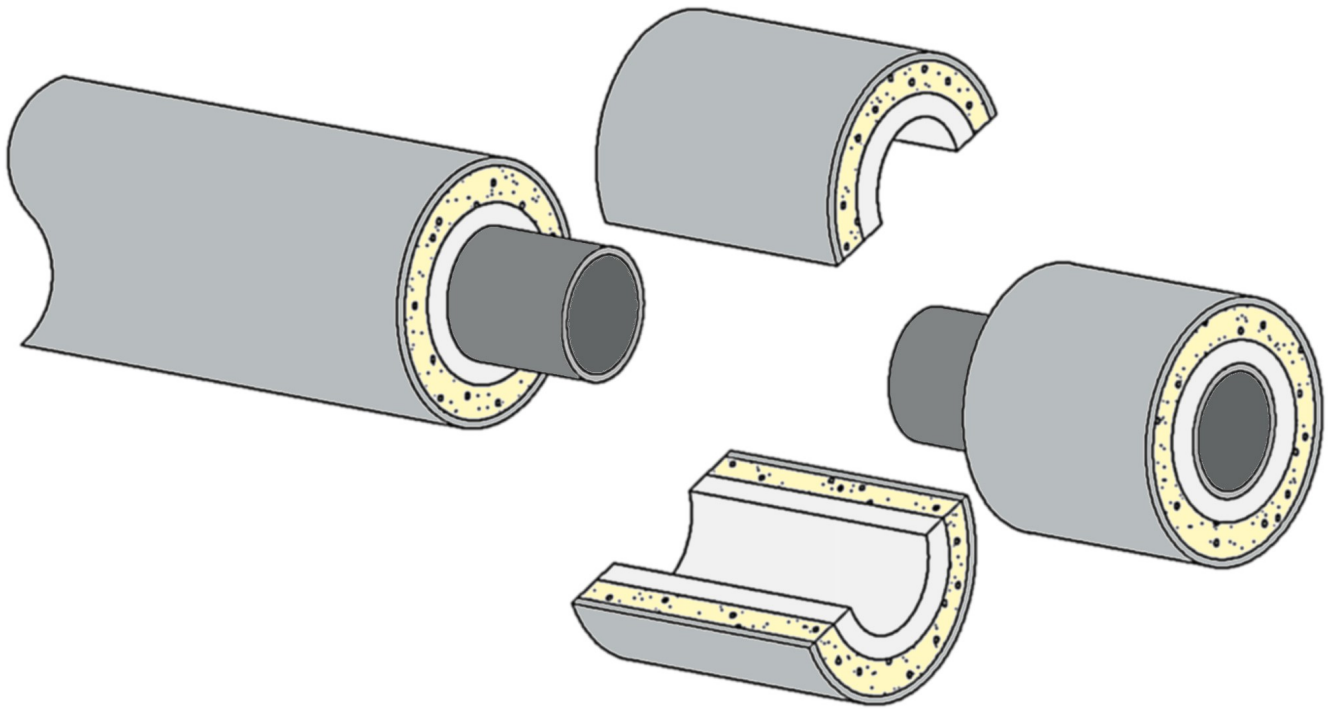


Thermal Pipe Systems, Inc.

SUPER WELD-TITE®

with Composite Insulation and FRP Casing
For
High Temperature Hot Water and Condensate



Super Weld-Tite is a dual insulated pipe system with a filament wound fiberglass casing. The insulation combines calcium silicate with polyurethane foam. As an alternative, Foamglas® may be substituted for calcium silicate to insure protection against moisture absorption.

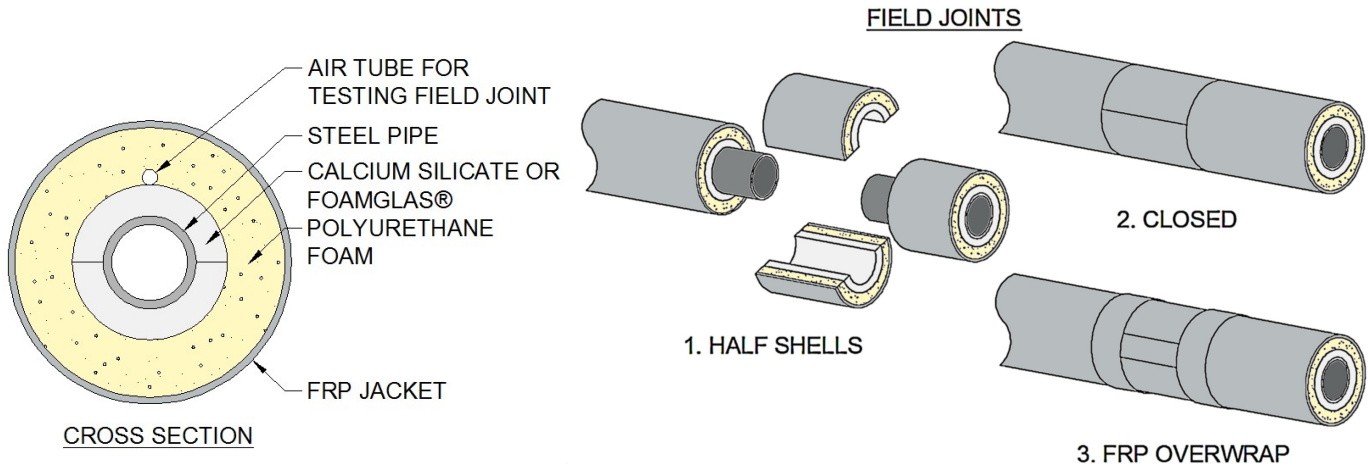
The fiberglass casing provides a high strength, corrosion resistant jacket that is much more durable than PVC. The result is a thermally efficient product for use in high temperature hot water and condensate service.

This welded product can be designed with expansion loops or inline expansion joints. All fittings are pre-insulated. Field joints closures include insulated half shells with FRP casing and FRP overwrap kits.

A tube for air testing field joints is pre-installed. No external coating or cathodic protection is required.

Super Weld-Tite is available in sizes 1-1/2" through 16" and is suitable for temperatures to 450°F.

SUPER WELD-TITE®



NOMINAL PIPE SIZE (IN.)	CARRIER O.D. (IN.)	CASING O.D. (IN.)	THICKNESS			WEIGHT (LBS./20 FT.)
			CALCIUM SILICATE (IN.)	FOAM (IN.)	CASING (IN.)	
1 1/2	1.90	8.38	1.00	2.05	0.185	144
2	2.38	8.38	1.00	1.81	0.185	165
2 1/2	2.88	8.38	1.50	1.56	0.185	210
3	3.50	8.38	1.00	1.25	0.185	248
4	4.50	9.38	1.00	1.25	0.185	335
5	5.56	12.38	1.50	1.72	0.185	335
6	6.63	12.38	1.50	1.19	0.185	615
8	8.63	16.50	2.00	1.69	0.250	925
10	10.75	18.50	2.50	1.13	0.250	1252
12	12.75	20.50	2.50	1.13	0.250	1570
14	14.00	22.50	2.50	1.50	0.250	1822
16	16.00	24.50	2.50	1.50	0.250	2266

NOTE: All dimensions are in inches unless otherwise noted. Standard lengths are 20'-0" or 40'-0". Weights are approximate.

SHORT FORM SPECIFICATIONS

1.1 All underground pre-insulated hot water and condensate piping shall be Thermal Pipe Systems, Inc. Super Weld-Tite® Pipe with welded joints.

1.2 Steel carrier pipe shall meet the requirements of ASTM A-53 or A-106, Grade B.

1.3 Joints shall be welded by the contractor in accordance with the contract specifications.

1.4 Casing pipe shall be fiberglass Reinforced Thermosetting Resin Pipe (RTRP) manufactured by a filament winding process. The pipe shall be wound to meet ASTM D2310 classified RTRP-12E.

1.5 The composite insulation shall be a two-component system. The initial insulation shall be Calcium Silicate satisfactory for temperatures to 1200°F and shall conform to ASTM C-533 and MIL SPEC Mil-1-2781 or Foamglas® suitable for temperatures up to 900° conforming to ASTM C-552. The secondary insulation shall be polyurethane foam completely filling the void between the initial insulation and casing.

1.6 Fittings shall be pre-insulated by Thermal Pipe Systems, Inc. using the same carrier pipe, insulation thickness, and casing as the straight lengths of pipe.

1.7 All field joints of the casing pipe and fittings shall be air tested according to specifications provided by Thermal Pipe Systems, Inc.

WARRANTY

We warrant that our products are manufactured with the applicable material specifications and are free from defects in the workmanship and material using our specifications as a standard. Every claim under this warranty shall be deemed waived unless in writing received by Thermal Pipe Systems, Inc. within (30) days of the date the defect was discovered and within (1) year of the date of shipment of the product. Thermal Pipe Systems, Inc. MAKES NO REPRESENTATION OR WARRANTY OF ANY KIND, EXPRESSED OR IMPLIED, IN FACT OR IN LAW, INCLUDING WITHOUT LIMITATION THE WARRANTY OF MERCHANTABILITY OR THE WARRANTY OF FITNESS FOR A PARTICULAR PURPOSE, OTHER THAN THE LIMITED WARRANTY SET FORTH ABOVE.

LIMITATIONS AND LIABILITY

It is expressly understood and agreed that the limit of Thermal Pipe Systems, Inc. liability shall be the resupply of a like quantity of non-defective product and that Thermal Pipe Systems, Inc. shall have no such liability except where the damage or claim results solely from the breach of the Thermal Pipe Systems, Inc. warranty. IT IS ALSO AGREED THAT THERMAL PIPE SYSTEMS, INC. SHALL NOT BE LIABLE FOR ANY INCIDENTAL, CONSEQUENTIAL, OR OTHER DAMAGES FOR ANY ALLEGED NEGLIGENCE, BREACH OF WARRANTY, STRICT LIABILITY OR ANY OTHER THEORY, OTHER THAN THE LIMITED LIABILITY SET FORTH.



Thermal Pipe Systems, Inc.

5205 W. Woodmill Dr. Suite 33 – Wilmington, DE 19808

Tel: 302-999-1588 – Fax: 302-999-8861

Website: www.thermalpipesystems.com