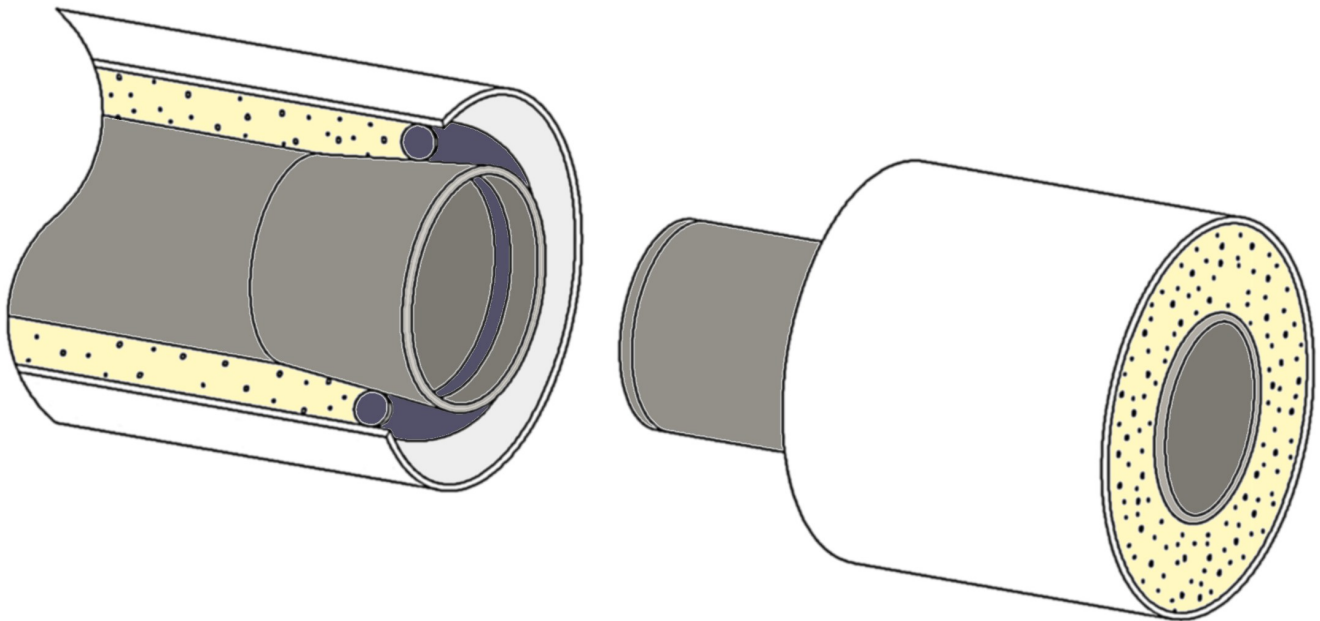


Thermal Pipe Systems, Inc.

DUC-TITE®

Rugged Ductile Iron Gasketed Piping System
For
Low Temperature Hot Water and/or Chilled Water Service



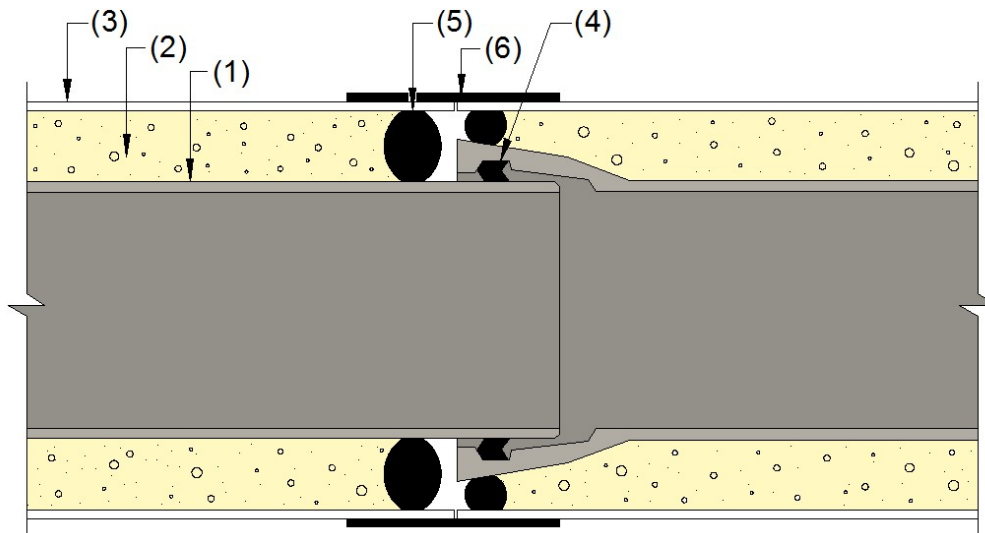
Duc-Tite is energy efficient piping system that is easy to install. It is used in hot water service to 250°F at pressures to 150psi. It may be used at higher pressures for chilled water.

The carrier pipe is Class 51 for 3" & 4" and Class 50 for 6" through 20" ductile iron pipe. Insulation is a thermally efficient polyurethane foam with a 'K' factor of 0.16 at 70°F. The heavy wall PVC or HDPE casing and heavy-duty compression end seals prevent ground water infiltration.

To join Duc-Tite, lubricate the spigot end and push it home into the bell. The joint compensates for thermal movement without additional stress on the pipe. There is no need for loops or other expansion devices. In the field the system is easily adaptable to other materials with commercially available fittings. Rubber ring 'push-on' type fittings make changes in direction simple.

This product combines the high strength of ductile iron with the efficiency of polyurethane foam to create an excellent choice for underground distribution systems.

DUC-TITE®



- (1) CARRIER: Ductile Iron.
- (2) INSULATION: Polyurethane Foam
- (3) CASING: PVC or HDPE
- (4) CARRIER SEALING RING: Rubber
- (5) END SEAL: Compression Rubber
- (6) CASING-TITE SEAL: 30 mil High Temperature Tape (optional for chilled water)

NOMINAL PIPE SIZE (IN.)	NOMINAL CASING SIZE (IN.)	CARRIER O.D. (IN.)	CASING O.D. (IN.)	THICKNESS		WEIGHT (LBS./20 FT.)
				FOAM (IN.)	PVC CASING (IN.)	
3	6	3.96	6.14	0.97	0.120	220
4	8	4.80	8.16	1.52	0.160	265
6	10	6.90	10.20	1.45	0.200	379
8	12	9.05	12.24	1.36	0.240	538
10	14	11.10	14.28	1.31	0.280	716
12	16	13.20	16.00	1.15	0.250	872
14	18	15.30	18.70	1.33	0.370	1159
16	22	17.40	22.05	1.90	0.430	1446
18	24	19.50	24.80	2.04	0.490	1740

NOTE: Standard lengths are 18'-0" or 20'-0". Weights are approximate. Consult manufacturer for HDPE dimensional data

SHORT FORM SPECIFICATIONS

1.1 All underground pre-insulated pipe 3" – 18" shall be Thermal Pipe Systems, Inc. Duc-Tite® piping with Ring-Tite joints.

1.2 Carrier pipe shall be ductile iron pipe conforming to ANSI A21.51 and AWWA C151. Pipe shall be Class 51 in sizes 3" and 4", and Class 50 in sizes 6" through 18". Rubber sealing rings shall be provided with the pipe and shall be as specified under AWWA C104. The pipe shall be suitable for use at maximum hydrostatic working pressure of 150 psi at 250°F.

1.3 Each joint shall automatically provide for expansion and contraction through the rubber sealing rings placed in the groove of the bell. Pipe and fittings must be assembled with a non-toxic lubricant supplied by Thermal Pipe Systems.

1.4 Casing pipe shall be [Polyvinyl Chloride (PVC) meeting the minimum classification requirements of ASTM D-1784] or [High Density Polyethylene (HDPE)]. The thickness shall be in accordance with the Thermal Pipe Systems published data.

1.5 The insulation shall be polyurethane foam completely encapsulated on each end by a compression rubber end seal.

1.6 The end seals shall be compression rubber.

1.7 Fittings shall be 'push-on' ductile iron.

WARRANTY

We warrant that our products are manufactured with the applicable material specifications and are free from defects in the workmanship and material using our specifications as a standard. Every claim under this warranty shall be deemed waived unless in writing received by Thermal Pipe Systems, Inc. within (30) days of the date the defect was discovered and within (1) year of the date of shipment of the product. Thermal Pipe Systems, Inc. MAKES NO REPRESENTATION OR WARRANTY OF ANY KIND, EXPRESSED OR IMPLIED, IN FACT OR IN LAW, INCLUDING WITHOUT LIMITATION THE WARRANTY OF MERCHANTABILITY OR THE WARRANTY OF FITNESS FOR A PARTICULAR PURPOSE, OTHER THAN THE LIMITED WARRANTY SET FORTH ABOVE.

LIMITATIONS AND LIABILITY

It is expressly understood and agreed that the limit of Thermal Pipe Systems, Inc. liability shall be the resupply of a like quantity of nondefective product and that Thermal Pipe Systems, Inc. shall have no such liability except where the damage or claim results solely from the breach of the Thermal Pipe Systems, Inc. warranty. IT IS ALSO AGREED THAT THERMAL PIPE SYSTEMS, INC. SHALL NOT BE LIABLE FOR ANY INCIDENTAL, CONSEQUENTIAL, OR OTHER DAMAGES FOR ANY ALLEGED NEGLIGENCE, BREACH OF WARRANTY, STRICT LIABILITY OR ANY OTHER THEORY, OTHER THAN THE LIMITED LIABILITY SET FORTH.



Thermal Pipe Systems, Inc.

5205 W. Woodmill Dr. Suite 33 – Wilmington, DE 19808

Tel: 302-999-1588 • Fax: 302-999-8861

website: www.thermalpipesystems.com