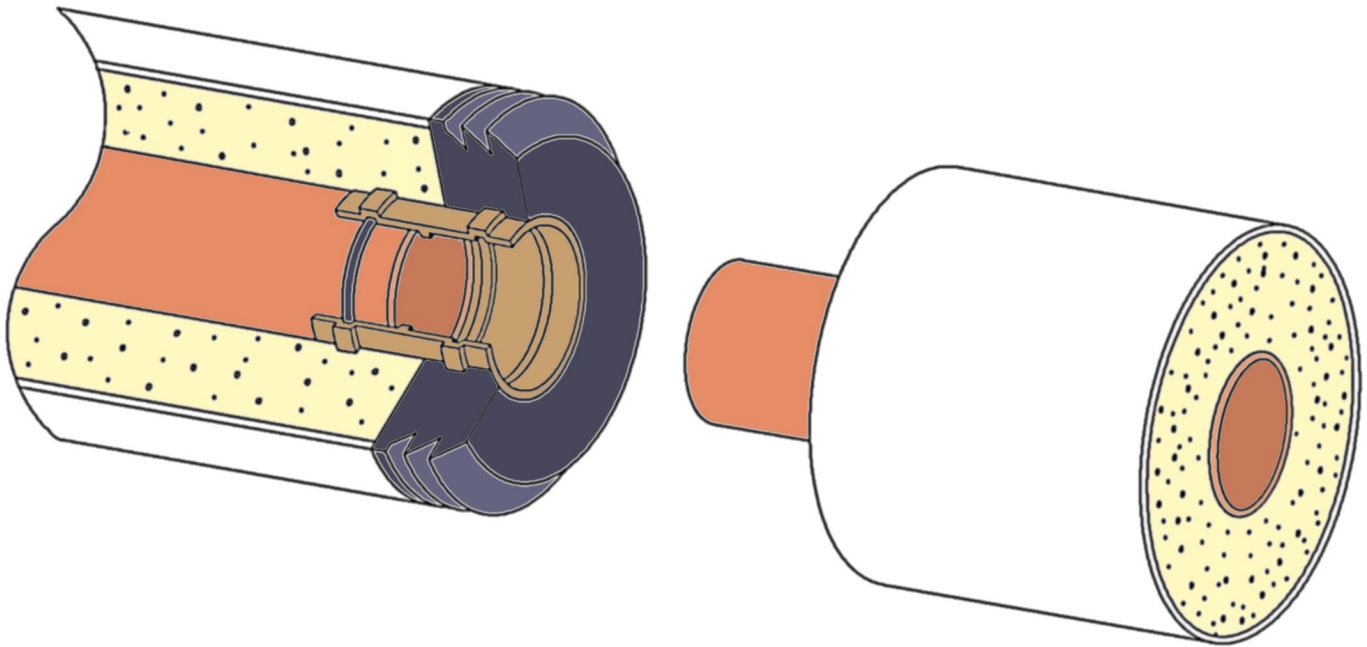


**Thermal Pipe Systems, Inc.**

## **COPPER-CORE®**

Specially Designed Copper Piping System with Integral Gasketed Joint  
For  
Domestic and Heating Hot Water



Copper-Core is a lightweight, easy to install, energy efficient piping system for use in low temperature and domestic hot water service. This system may be used for water only in temperatures to 250°F at pressures to 150psi.

The standard carrier pipe is type 'K' copper. The system is produced with an integral grooved bronze coupling containing two high temperature heat resistant rubber 'O' rings.

Insulation is thermally efficient polyurethane foam with a 'K' factor of 0.16 at

70°F. The heavy wall PVC or HDPE casing and heat resistant end seals keep the insulation dry. Fittings are standard copper solder joint fittings.

Assembly of Copper-Core is a simple one step procedure. Lubricate the joint and push the piping home. No additional steps are required to insulate the joint. This specially engineered joint compensates for thermal expansion, contraction, and earth movement without additional stress on the pipe. The pipe system is corrosion resistant and maintains high flow characteristics.

