

THESE WINDOWS ARE RATED FOR LARGE & SMALL MISSILE IMPACT. SHUTTERS ARE NOT REQUIRED.

**SERIES 525**  
**ALUMINUM FIXED CASEMENT WINDOW**

APPROVAL APPLIES TO SINGLE UNITS OR SIDE BY SIDE COMBINATIONS OF FIXED/FIXED OR FIXED WITH OTHER F.B.C. APPR'D WINDOWS USING F.B.C. APPROVED MULLIONS IN BETWEEN. LOWER DESIGN PRESSURE FROM WINDOWS OR MULLION APPROVAL WILL APPLY TO ENTIRE SYSTEM.

DESIGN LOAD RATING FOR THESE WINDOWS TO BE AS PER CHARTS SHOWN ON SHEET 2.

THIS PRODUCT HAS BEEN DESIGNED AND TESTED TO COMPLY WITH THE REQUIREMENTS OF THE 2014 (5TH EDITION)/2017 (6TH EDITION) FLORIDA BUILDING CODE INCLUDING HIGH VELOCITY HURRICANE ZONE (HVHZ).

1BY OR 2BY WOOD BUCKS & BUCK FASTENERS BY OTHERS, MUST BE DESIGNED AND INSTALLED ADEQUATELY TO TRANSFER APPLIED PRODUCT LOADS TO THE BUILDING STRUCTURE.

ANCHORS SHALL BE CORROSION RESISTANT, SPACED AS SHOWN ON DETAILS AND INSTALLED PER MANUF'S INSTRUCTIONS. SPECIFIED EMBEDMENT TO BASE MATERIAL SHALL BE BEYOND WALL DRESSING OR STUCCO.

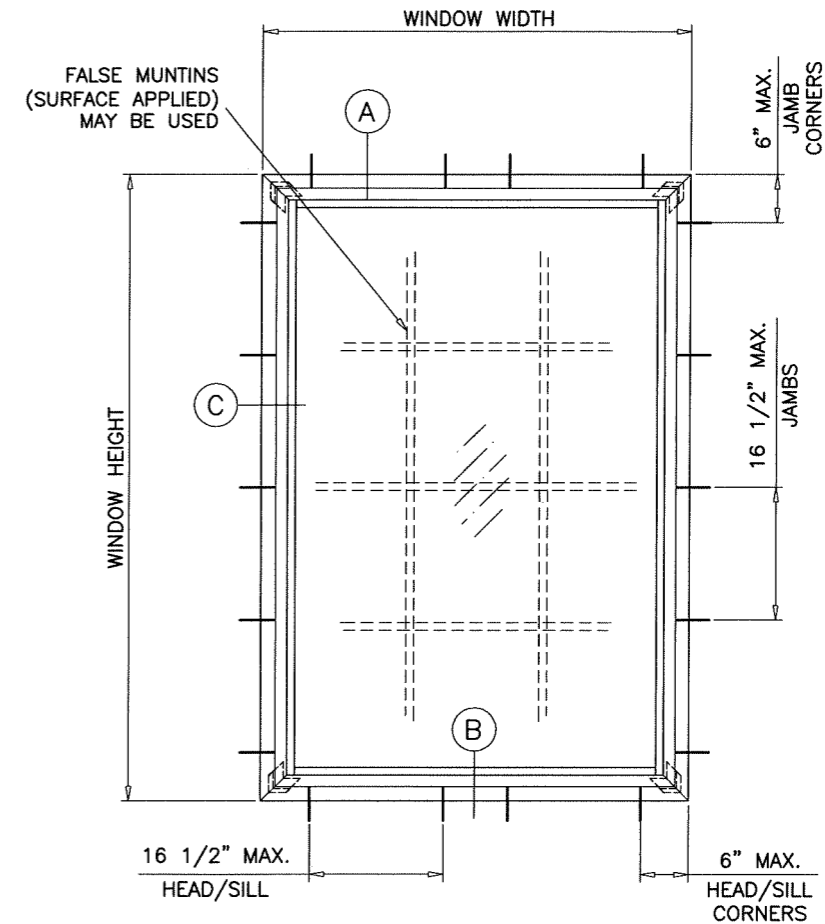
A LOAD DURATION INCREASE IS USED IN DESIGN OF ANCHORS INTO WOOD ONLY.

ALL SHIMS TO BE HIGH IMPACT, NON-METALLIC AND NON-COMPRESSIBLE.

MATERIALS INCLUDING BUT NOT LIMITED TO STEEL/METAL SCREWS, THAT COME INTO CONTACT WITH OTHER DISSIMILAR MATERIALS SHALL MEET THE REQUIREMENTS OF THE 2014/2017 FLORIDA BLDG. CODE & ADOPTED STANDARDS.

THIS PRODUCT APPROVAL IS GENERIC AND DOES NOT PROVIDE INFORMATION FOR A SITE SPECIFIC PROJECT, i.e. LIFE SAFETY OF THIS PRODUCT, ADEQUACY OF STRUCTURE RECEIVING THIS PRODUCT AND SEALING AROUND OPENING FOR WATER INFILTRATION RESISTANCE ETC. CONDITIONS NOT SHOWN IN THIS DRAWING ARE TO BE ANALYZED SEPARATELY, AND TO BE REVIEWED BY BUILDING OFFICIAL.

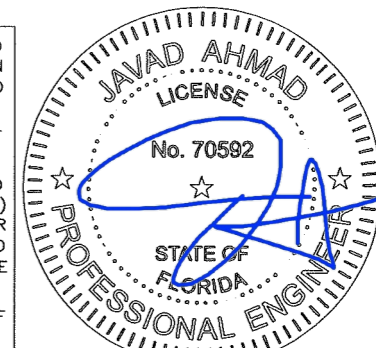
MANUFACTURER'S LABEL SHALL BE LOCATED ON A READILY VISIBLE LOCATION IN ACCORDANCE WITH SECTION 1709.9.3 OF FLORIDA BUILDING CODE. LABELING TO COMPLY WITH SECTION 1709.9.2.

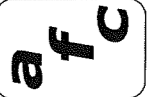


TYPICAL ELEVATION

DAYLITE OPENINGS:  
D.L.O. HEIGHT = WINDOW HEIGHT - 8.250"  
D.L.O. WIDTH = WINDOW WIDTH - 8.250"

- A- CONTRACTOR TO BE RESPONSIBLE FOR THE SELECTION, PURCHASE AND INSTALLATION OF THIS PRODUCT BASED ON THIS PRODUCT EVALUATION PROVIDED HE/SHE DOES NOT DEVIATE FROM THE CONDITIONS DETAILED ON THIS DOCUMENT.
- B- THIS PRODUCT EVALUATION DOCUMENT WILL BE CONSIDERED INVALID IF ALTERED BY ANY MEANS.
- C- SITE SPECIFIC PROJECTS SHALL BE PREPARED BY A FLORIDA REGISTERED ENGINEER OR ARCHITECT WHICH WILL BECOME THE ENGINEER OF RECORD (E.O.R.) FOR THE PROJECT AND WHO WILL BE RESPONSIBLE FOR THE PROPER USE OF THE P.E.D. ENGINEER OF RECORD, ACTING AS A DELEGATED ENGINEER TO THE P.E.D. ENGINEER SHALL SUBMIT TO THIS LATTER THE SITE SPECIFIC DRAWINGS FOR REVIEW.
- D- THIS P.E.D. SHALL BEAR THE DATE AND ORIGINAL SEAL AND SIGNATURE OF THE PROFESSIONAL ENGINEER OF RECORD THAT PREPARED IT.





**AL-FAROOQ CORPORATION**  
ENGINEERS & PRODUCT DEVELOPMENT  
9360 SUNSET DRIVE, SUITE 220  
MIAMI, FLORIDA 33173 (C.A.N. 3538)  
TEL. (305) 264-8100 FAX. (305) 262-6978  
COMP-ANL W17-18AW

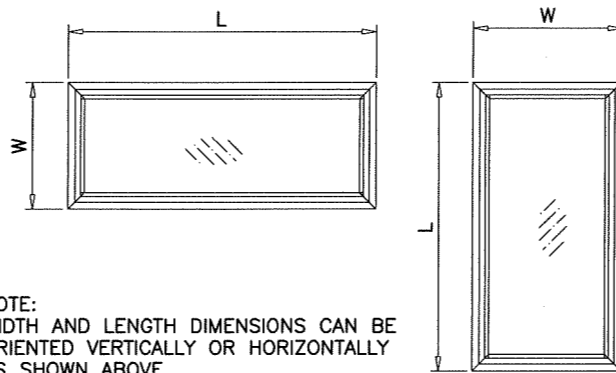
---

SERIES 525 ALUM FIXED CASEMENT WDW. (L.M.I.)

**Assura Windows & Doors, LLC.**  
1543 N. Powerline Road  
Pompano Beach, Fl. 33069  
Tel. (305) 887-2646 Fax. (-)

no	date	description

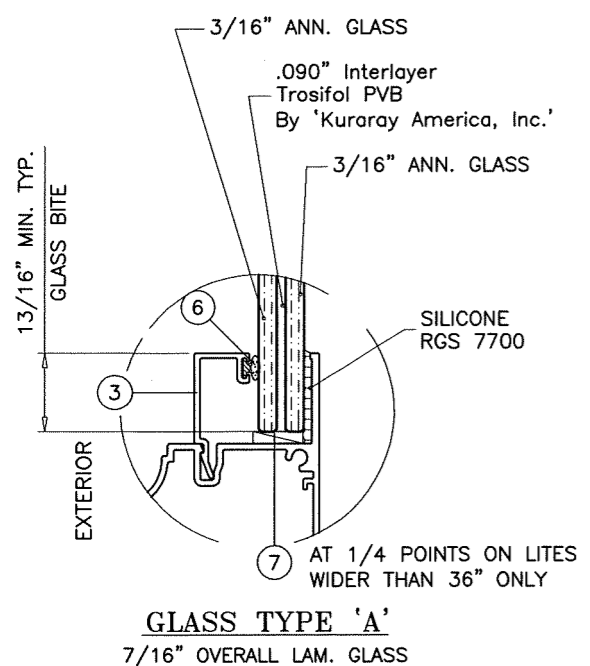
date: 02-10-17 scale: 1/2"=1'-0" dr. by: TARIQ chk. by:   
drawing no. **W17-18** sheet 1 of 5



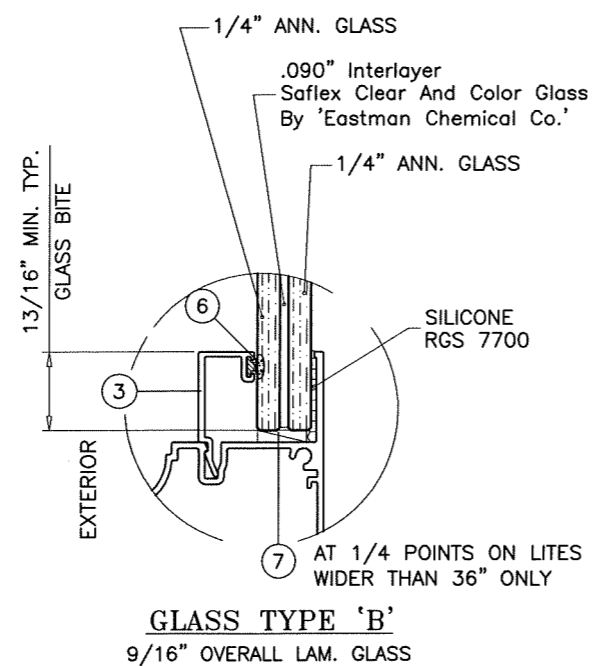
NOTE:  
WIDTH AND LENGTH DIMENSIONS CAN BE  
ORIENTED VERTICALLY OR HORIZONTALLY  
AS SHOWN ABOVE.

DESIGN LOAD CAPACITY - PSF			
WINDOW DIMS.		GLASS TYPES 'A', 'B' & 'C'	
WIDTH	LENGTH	EXT.(+)	INT.(-)
19-1/8"	26"	70.0	75.0
26-1/2"		70.0	75.0
37"		70.0	75.0
48"		70.0	75.0
53-1/8"		70.0	75.0
19-1/8"	38-3/8"	70.0	75.0
26-1/2"		70.0	75.0
37"		70.0	75.0
48"		69.3	74.3
53-1/8"		69.3	74.3
19-1/8"	50-5/8"	70.0	75.0
26-1/2"		70.0	75.0
37"		70.0	75.0
48"		55.4	59.4
53-1/8"		52.5	56.3
19-1/8"	63"	70.0	75.0
26-1/2"		70.0	75.0
37"		70.0	75.0
19-1/8"	76"	70.0	75.0
26-1/2"		70.0	75.0
37"		70.0	75.0
19-1/8"	78"	70.0	75.0
26-1/2"		70.0	75.0
37"		70.0	75.0

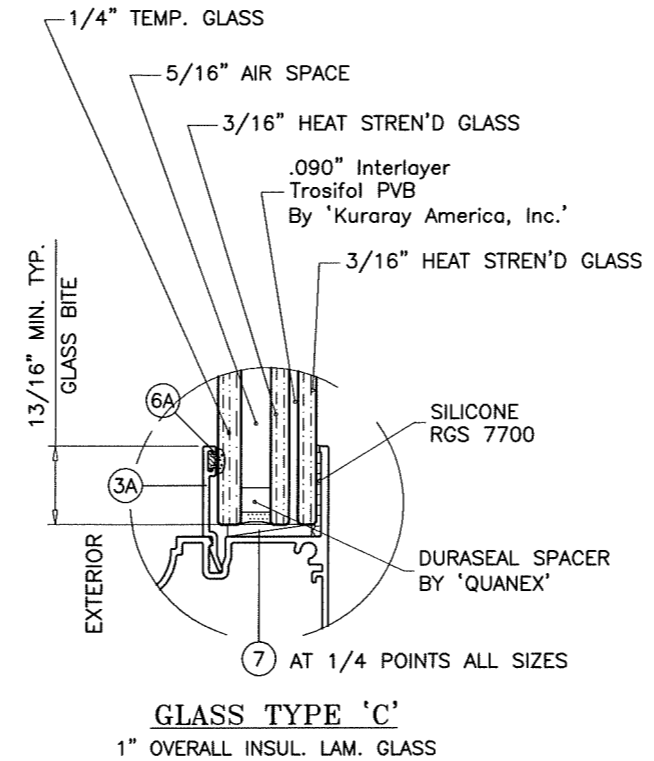
DESIGN LOAD CAPACITY - PSF			
WINDOW DIMS.		GLASS TYPES 'A', 'B' & 'C'	
WIDTH	LENGTH	EXT.(+)	INT.(-)
38"	38"	70.0	75.0
42"		70.0	75.0
48"		70.0	75.0
54"		70.0	75.0
60"		70.0	75.0
66"		70.0	75.0
72"		70.0	75.0
78"	70.0	75.0	
38"	42"	70.0	75.0
42"		63.3	67.9
48"		63.3	67.9
54"		63.3	67.9
60"		63.3	67.9
66"		63.3	67.9
38"	48"	70.0	75.0
42"		63.3	67.9
48"		55.4	59.4
54"		55.4	59.4
60"	54"	70.0	75.0
38"		63.3	67.9
48"		55.4	59.4
54"		49.3	52.8
38"	60"	70.0	75.0
42"		63.3	67.9
48"		55.4	59.4
38"	66"	70.0	75.0
42"		63.3	67.9
38"	72"	70.0	75.0
38"	78"	70.0	75.0



**GLASS TYPE 'A'**  
7/16" OVERALL LAM. GLASS



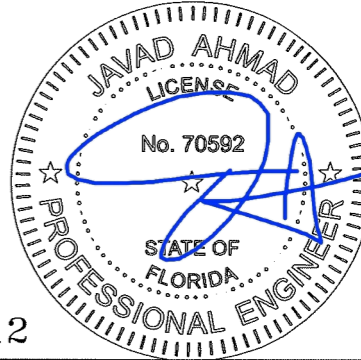
**GLASS TYPE 'B'**  
9/16" OVERALL LAM. GLASS



**GLASS TYPE 'C'**  
1" OVERALL INSUL. LAM. GLASS

**GLAZING OPTIONS**

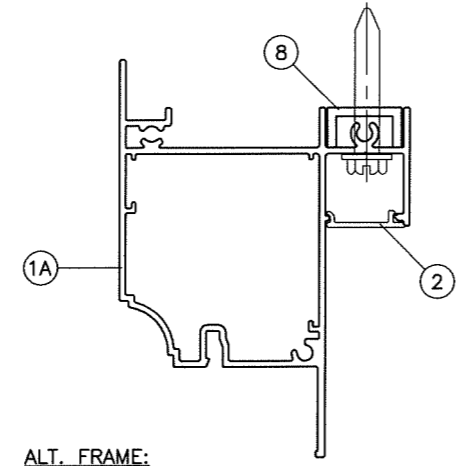
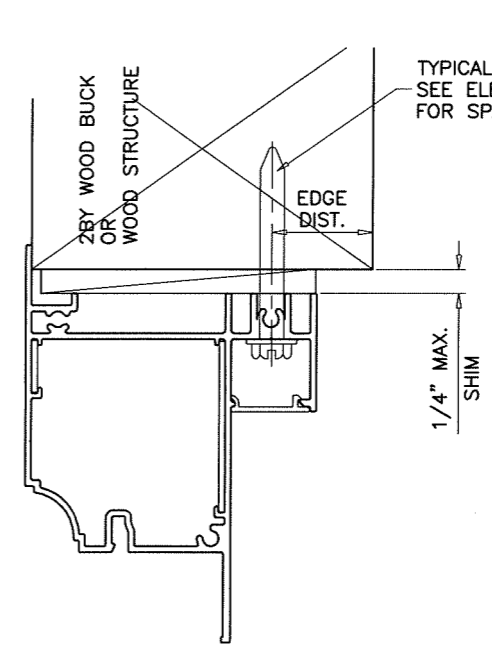
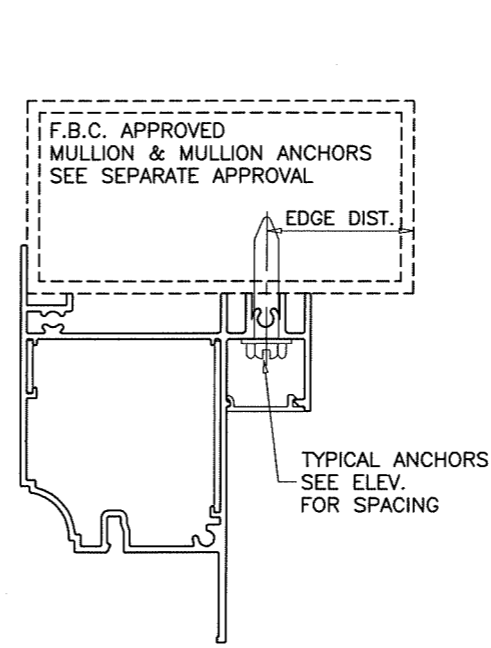
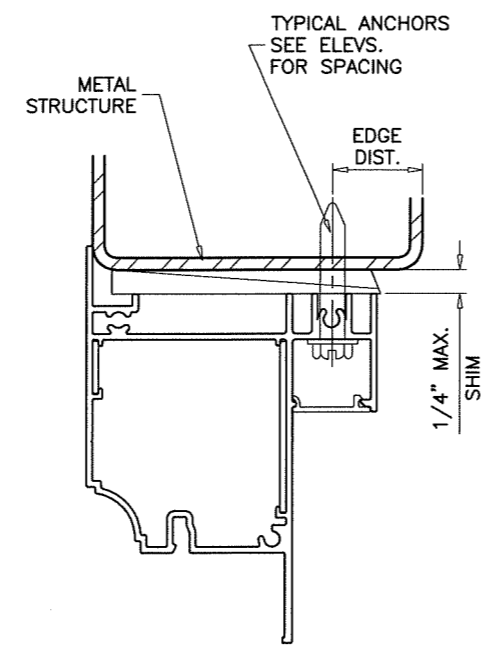
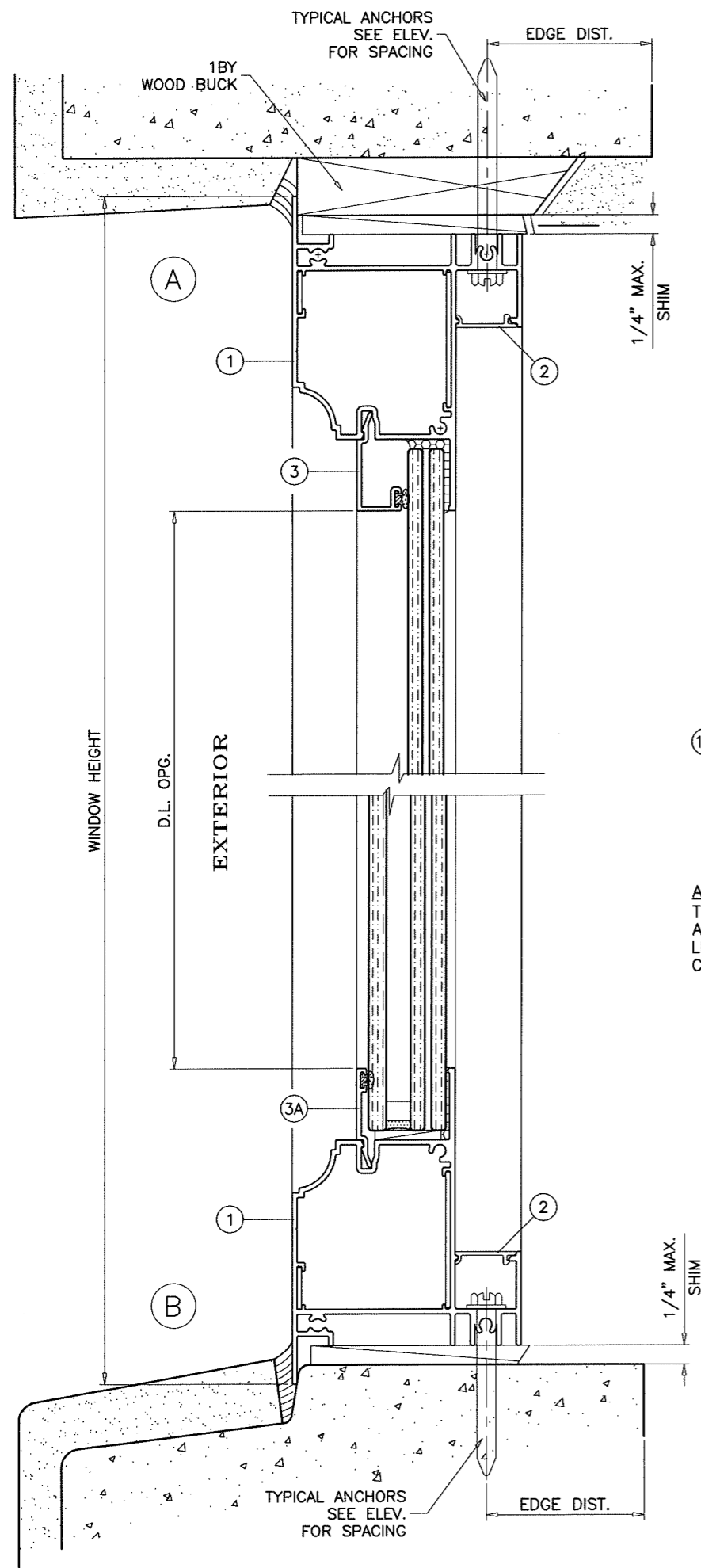
FL #25612



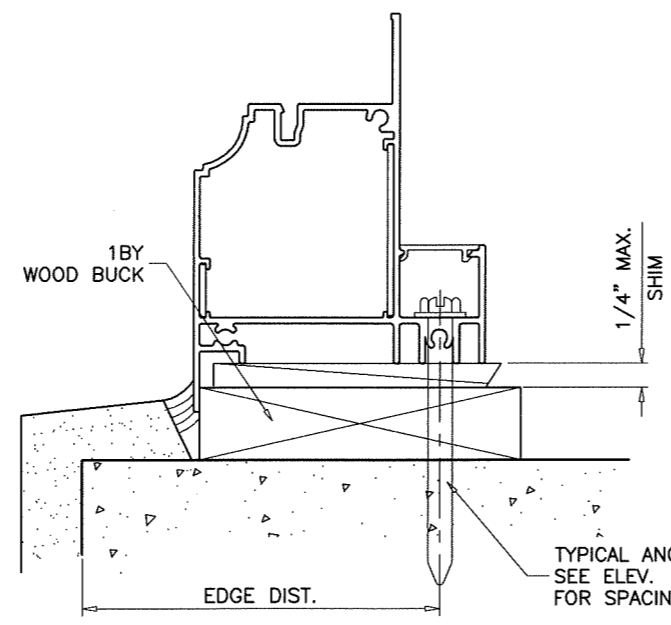
**afC**  
**AL-FAROOQ CORPORATION**  
ENGINEERS & PRODUCT DEVELOPMENT  
9360 SUNSET DRIVE, SUITE 220  
MIAMI, FLORIDA 33173 (C.A.N. 3538)  
TEL (305) 264-8100 FAX (305) 262-6978  
COMP-ANL\W17-18AW

SERIES 525 ALUM FIXED CASEMENT WDW. (L.M.I.)  
**Assura Windows & Doors, LLC.**  
1543 N. Powerline Road  
Pompano Beach, Fl. 33069  
Tel. (305) 887-2646 Fax. (-)

revisions:	no	date	by	description
date:	102-10-17	scale:	1/2" = 1"	
dr. by:	TARIQ	chk. by:		
drawing no.	W17-18			
sheet	2 of 5			



**ALT. FRAME:**  
THIS FRAME WITH 2" LONG SHEAR CLIPS AT ANCHOR LOCATIONS CAN BE USED IN LIEU OF STD. FRAME FOR ALL ANCHORING CONDITIONS SHOWN.



WOOD BUCKS AND METAL STRUCTURE NOT BY ASSURA WDWS. MUST SUSTAIN LOADS IMPOSED BY GLAZING SYSTEM AND TRANSFER THEM TO THE BUILDING STRUCTURE.

**TYPICAL ANCHORS:** SEE ELEV. FOR SPACING

**1/4" DIA. ULTRACON BY 'ELCO'** ( $F_u=177$  KSI,  $F_y=155$  KSI)  
INTO 2BY WOOD BUCKS OR WOOD STRUCTURES  
1-1/2" MIN. PENETRATION INTO WOOD (HEAD/SILL/JAMBS)

THRU 1BY BUCKS INTO CONC. OR BLOCKS  
1-1/4" MIN. EMBED INTO CONCRETE (HEAD/SILL/JAMBS)  
1-1/4" MIN. EMBED INTO BLOCKS (JAMBS)

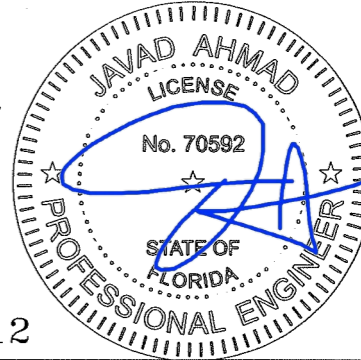
DIRECTLY INTO CONCRETE OR BLOCKS  
1-1/4" MIN. EMBED INTO CONCRETE (HEAD/SILL/JAMBS)  
1-1/4" MIN. EMBED INTO BLOCKS (JAMBS)

**1/4" DIA. TEKS OR SELF DRILLING SCREWS** (GRADE 5 CRS)  
INTO MIAMI-DADE COUNTY APPROVED MULLIONS OR  
INTO METAL STRUCTURES (HEAD/SILL/JAMBS)  
(3) THREADS MIN. TO EXTEND BEYOND METAL THICKNESS  
ALUMINUM: 1/8" THK. MIN. (6063-T5 MIN.)  
STEEL: 1/8" THK. MIN. ( $F_y = 36$  KSI MIN.)  
(STEEL IN CONTACT WITH ALUMINUM TO BE PLATED OR PAINTED)

**TYPICAL EDGE DISTANCE**

INTO CONCRETE AND BLOCKS = 2-1/2" MIN.  
INTO WOOD STRUCTURE = 1" MIN.  
INTO METAL STRUCTURE = 3/4" MIN.

WOOD AT HEAD, SILL OR JAMBS SG = 0.55 MIN.  
CONCRETE AT HEAD, SILL OR JAMBS  $f'_c = 3000$  PSI MIN.  
C-90 HOLLOW/FILLED BLOCK AT JAMBS  $f'_m = 2000$  PSI MIN.



FL #25612

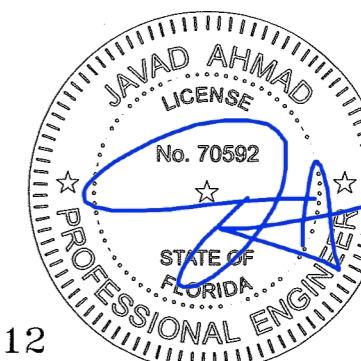
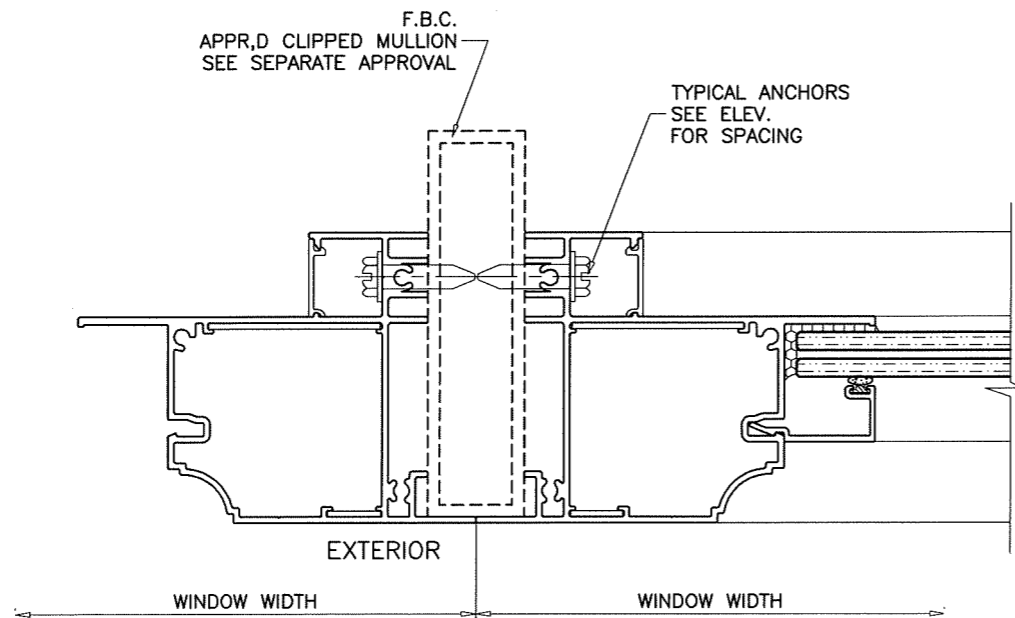
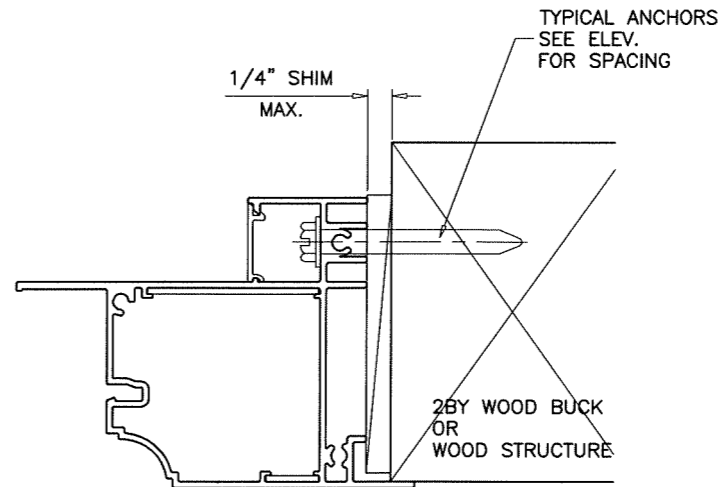
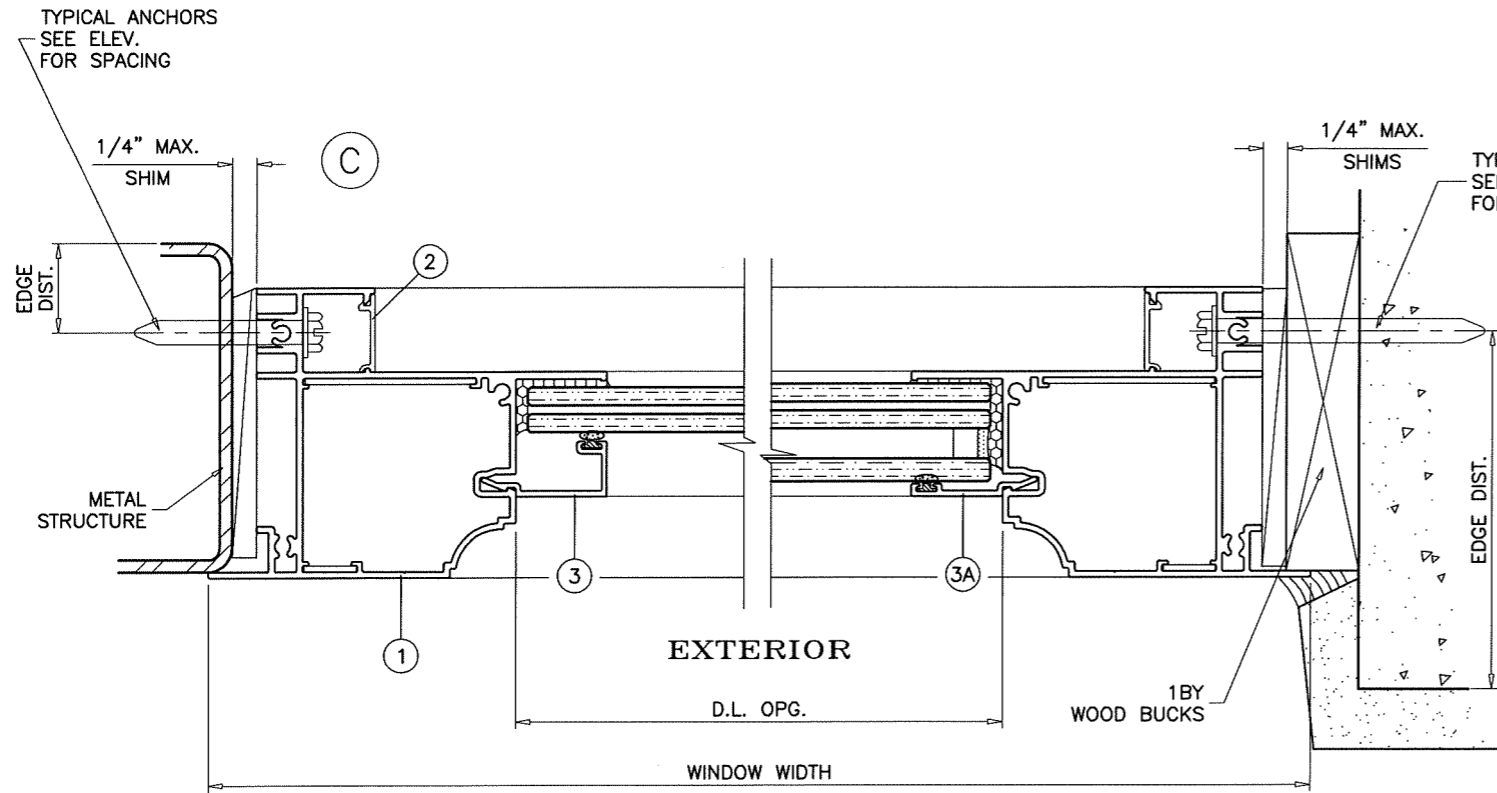
**af c**  
**AL-FAROOQ CORPORATION**  
ENGINEERS & PRODUCT DEVELOPMENT  
9360 SUNSET DRIVE, SUITE 220  
MIAMI, FLORIDA 33173 (C.A.N. 3538)  
TEL. (305) 264-8100 FAX. (305) 262-6978  
COMP-ANL W17-18AW

SERIES 525 ALUM FIXED CASEMENT WDW. (L.M.I.)  
**Assura Windows & Doors, LLC.**  
1543 N. Powerline Road  
Pompano Beach, Fl. 33069  
Tel. (305) 887-2646 Fax. (-)

revisions:	no	date	by	description

date: 02-10-17  
scale: 1/2" = 1"  
dr. by: TARIQ  
chk. by:

drawing no.  
**W17-18**  
sheet 3 of 5



FL #25612

Sealed: 12/15/2017

**afc**

**AL-FAROOQ CORPORATION**  
 ENGINEERS & PRODUCT DEVELOPMENT  
 9360 SUNSET DRIVE, SUITE 220  
 MIAMI, FLORIDA 33173 (C.A.N. 3538)  
 TEL. (305) 264-8100 FAX. (305) 262-6978

SERIES 525 ALUM FIXED CASEMENT WDW. (L.M.I.)  
**Assura Windows & Doors, LLC.**  
 1543 N. Powerline Road  
 Pompano Beach, Fl. 33069  
 Tel. (305) 887-2646 Fax. (-)

revisions:	
no	date by description

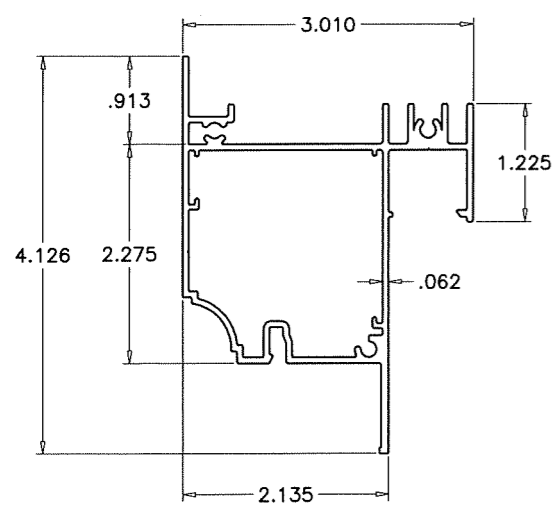
  

date:	02-10-17
scale:	1/2" = 1"
dr. by:	TARIQ
chk. by:	

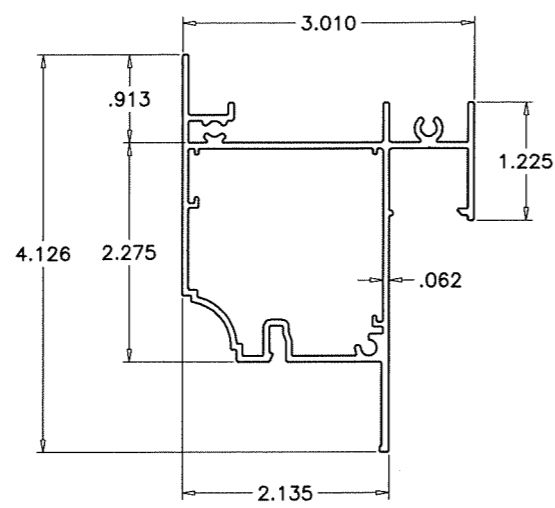
  

drawing no.	W17-18
sheet	4 of 5

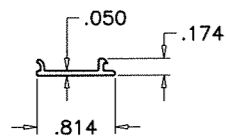
COMP-ANL\W17-18AW



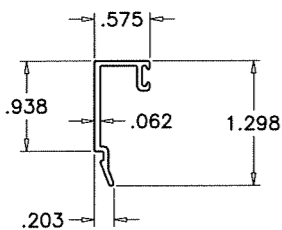
① FRAME



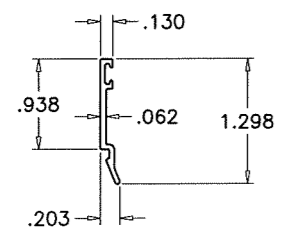
①A ALT. FRAME



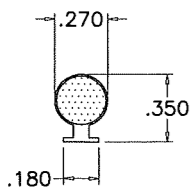
② FRAME COVER (OPTIONAL)



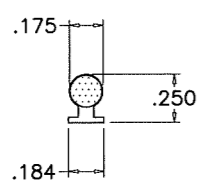
③ GLAZING BEAD (LAM. GLASS)



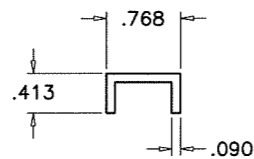
③A GLAZING BEAD (INSUL. LAM. GLASS)



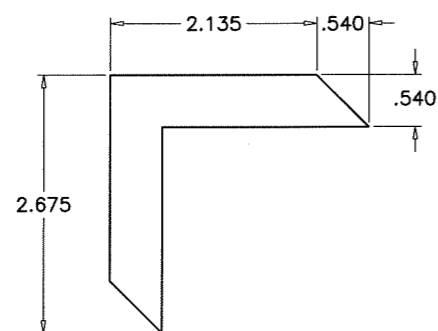
⑥ EXTERIOR GLAZING SPACER  
SCALE 1:1



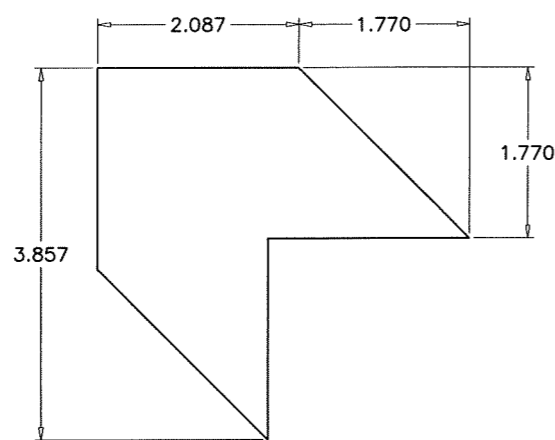
⑥A



⑧ SHEAR CLIP



⑤

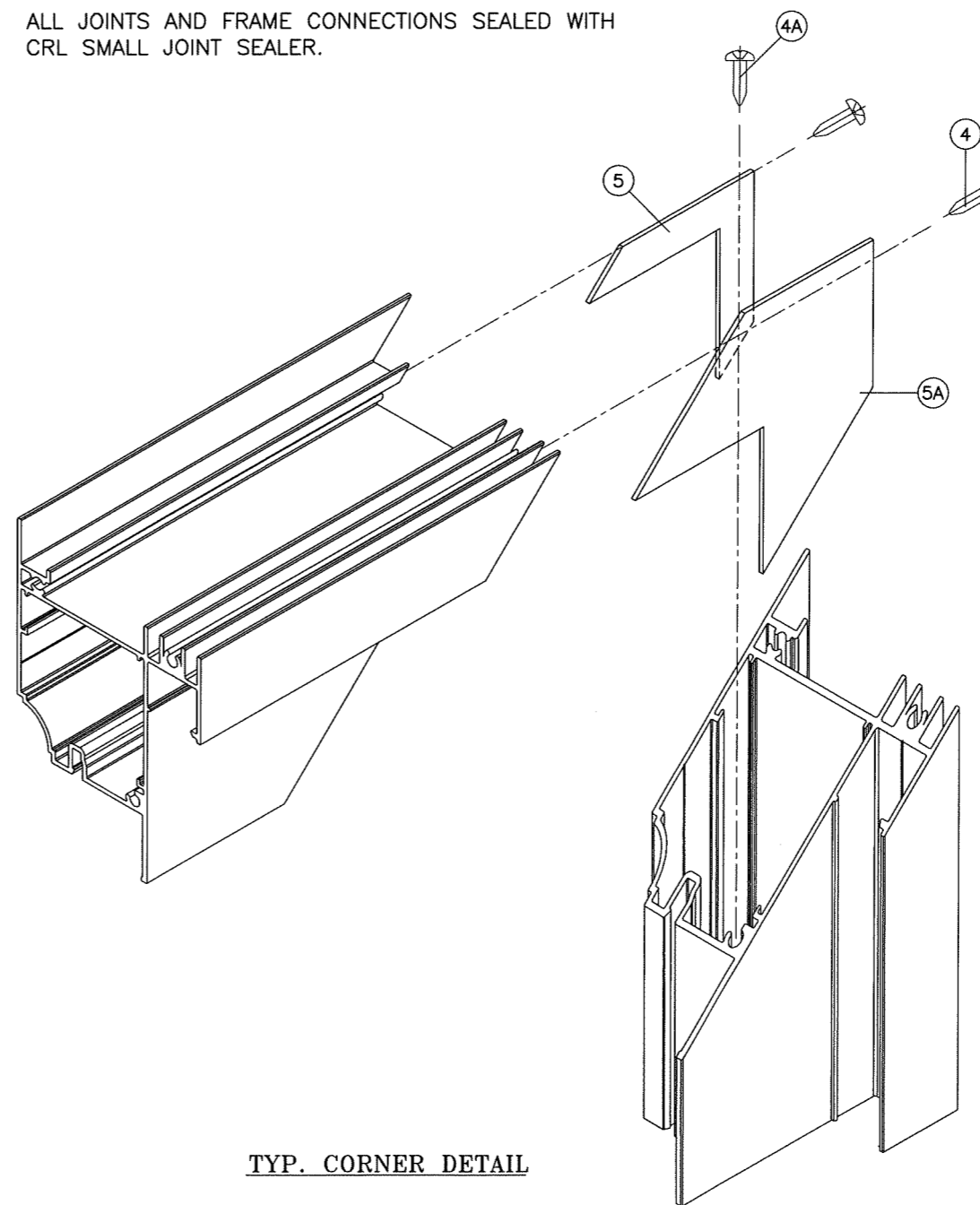


⑤A CORNER KEYS

ITEM	PART #	QUANTITY	DESCRIPTION	MATERIAL	MANF./SUPPLIER/REMARKS
1	-	4	WINDOW FRAME	6063-T6	-
1A	TM-360	4	ALT. WINDOW FRAME	6063-T6	-
2	-	4	FRAME COVER (OPTIONAL)	6063-T6	-
3	-	4	GLAZING BEAD (LAM. GLASS)	6063-T6	-
3A	-	4	GLAZING BEAD (INSUL. LAM. GLASS)	6063-T6	-
4	#10 X 1-1/2"	2/ CORNER	ASSEMBLY FASTENERS	CRS	PH SMS
4A	#10 X 3"	1/ CORNER	ASSEMBLY FASTENERS	CRS	PH SMS
5	-	1/ CORNER	CORNER KEY, .060" THK.	ALUMINUM	-
5A	-	1/ CORNER	CORNER KEY, .060" THK.	ALUMINUM	-
6	32001	AS REQD.	EXTERIOR GLAZING SPACER (FOAM FILLED BULB)	TPE POLYPROPYLENE	DUROMETER 70±5 SHORE A
6A	32011	AS REQD.	EXTERIOR GLAZING SPACER (FOAM FILLED BULB)	TPE POLYPROPYLENE	DUROMETER 70±5 SHORE A
7	-	2/ LITE	SETTING BLOCK, AT 1/4 POINTS	EPDM	DUROMETER 85±5 SHORE A
8	-	AS REQD.	SHEAR CLIP, 2" LONG, AT ANCHOR LOCATIONS	5052-H32	-

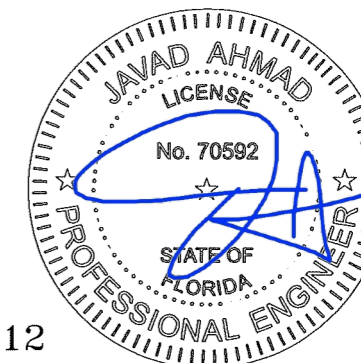
**SEALANTS:**

ALL JOINTS AND FRAME CONNECTIONS SEALED WITH CRL SMALL JOINT SEALER.



TYP. CORNER DETAIL

FL #25612



**af c**  
**AL-FAROOQ CORPORATION**  
 ENGINEERS & PRODUCT DEVELOPMENT  
 9360 SUNSET DRIVE, SUITE 220  
 MIAMI, FLORIDA 33173 (C.A.N. 3538)  
 TEL (305) 264-8100 FAX (305) 262-6978  
 COMP-ANL W17-18AW

SERIES 525 ALUM FIXED CASEMENT WDW. (L.M.I.)  
**Assura Windows & Doors, LLC.**  
 1543 N. Powerline Road  
 Pompano Beach, FL 33069  
 Tel. (305) 887-2646 Fax. (-)

revisions:	
no.	date by description

date: 02-10-17  
 scale: 1/2" = 1"  
 dr. by: TARIQ  
 chk. by:   
 drawing no. **W17-18**  
 sheet 5 of 5