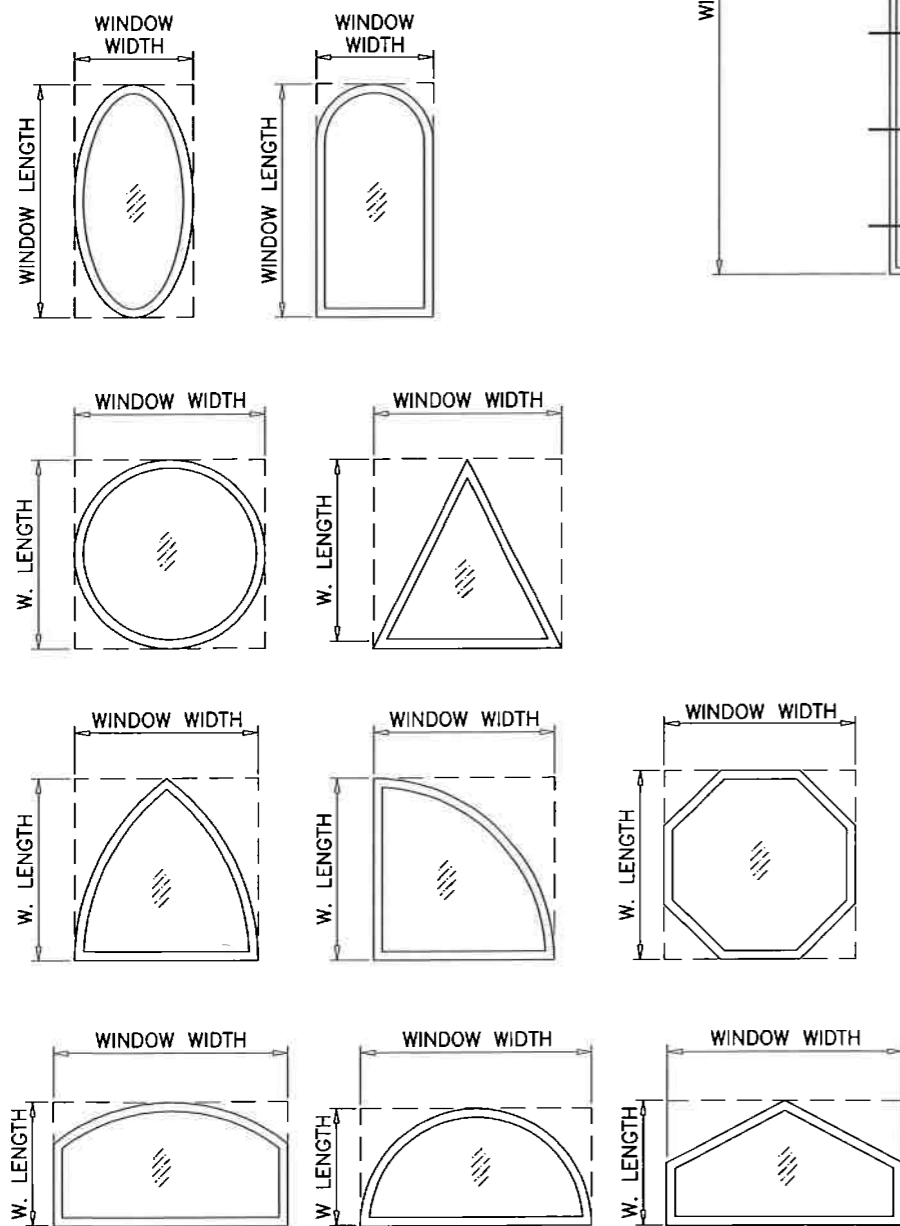


TYPICAL ELEVATION



ALLOWABLE LOADS FOR ALTERNATE SHAPES AS SHOWN ABOVE OR SIMILAR CAN BE VERIFIED BY INSCRIBING PICTURE WINDOW SHAPE WITHIN SQUARE OR RECTANGLE AS SHOWN IN DOTTED LINES AND OBTAINING ALLOWABLE LOADS FROM THOSE SHAPES.

THESE WINDOWS ARE RATED FOR LARGE & SMALL MISSILE IMPACT. SHUTTERS ARE NOT REQUIRED.

SERIES 200 ALUMINUM FIXED WINDOW

APPROVAL APPLIES TO SINGLE UNITS OR SIDE BY SIDE COMBINATIONS OF FIXED/FIXED OR FIXED WITH OTHER F.B.C. APPR'D WINDOWS USING F.B.C. APPROVED MULLIONS IN BETWEEN.

LOWER DESIGN PRESSURE FROM WINDOWS OR MULLION APPROVAL WILL APPLY TO ENTIRE SYSTEM.

DESIGN LOAD RATING FOR THESE WINDOWS TO BE AS PER CHARTS SHOWN ON SHEET 2.

THIS PRODUCT HAS BEEN DESIGNED AND TESTED TO COMPLY WITH THE REQUIREMENTS OF THE 2014 (5TH EDITION)/2017 (6TH EDITION) FLORIDA BUILDING CODE INCLUDING HIGH VELOCITY HURRICANE ZONE (HVHZ).

1BY OR 2BY WOOD BUCKS & BUCK FASTENERS BY OTHERS, MUST BE DESIGNED AND INSTALLED ADEQUATELY TO TRANSFER APPLIED PRODUCT LOADS TO THE BUILDING STRUCTURE.

ANCHORS SHALL BE CORROSION RESISTANT, SPACED AS SHOWN ON DETAILS AND INSTALLED PER MANUF'S INSTRUCTIONS. SPECIFIED EMBEDMENT TO BASE MATERIAL SHALL BE BEYOND WALL DRESSING OR STUCCO.

A LOAD DURATION INCREASE IS USED IN DESIGN OF ANCHORS INTO WOOD ONLY. ALL SHIMS TO BE HIGH IMPACT, NON-METALLIC AND NON-COMPRESSIBLE.

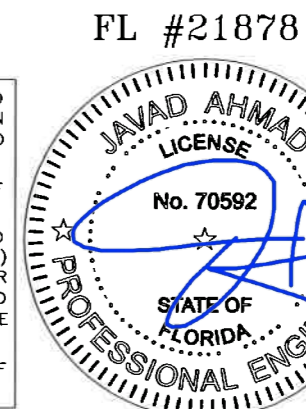
MATERIALS INCLUDING BUT NOT LIMITED TO STEEL/METAL SCREWS, THAT COME INTO CONTACT WITH OTHER DISSIMILAR MATERIALS SHALL MEET THE REQUIREMENTS OF THE 2014/2017 FLORIDA BLDG. CODE & ADOPTED STANDARDS.

THIS PRODUCT APPROVAL IS GENERIC AND DOES NOT PROVIDE INFORMATION FOR A SITE SPECIFIC PROJECT, I.E. LIFE SAFETY OF THIS PRODUCT, ADEQUACY OF STRUCTURE RECEIVING THIS PRODUCT AND SEALING AROUND OPENING FOR WATER INFILTRATION RESISTANCE ETC.

CONDITIONS NOT SHOWN IN THIS DRAWING ARE TO BE ANALYZED SEPARATELY, AND TO BE REVIEWED BY BUILDING OFFICIAL.

MANUFACTURER'S LABEL SHALL BE LOCATED ON A READILY VISIBLE LOCATION IN ACCORDANCE WITH SECTION 1709.9.3 OF FLORIDA BUILDING CODE. LABELING TO COMPLY WITH SECTION 1709.9.2.

- A- CONTRACTOR TO BE RESPONSIBLE FOR THE SELECTION, PURCHASE AND INSTALLATION OF THIS PRODUCT BASED ON THIS PRODUCT EVALUATION PROVIDED HE/SHE DOES NOT DEVIATE FROM THE CONDITIONS DETAILED ON THIS DOCUMENT.
- B- THIS PRODUCT EVALUATION DOCUMENT WILL BE CONSIDERED INVALID IF ALTERED BY ANY MEANS.
- C- SITE SPECIFIC PROJECTS SHALL BE PREPARED BY A FLORIDA REGISTERED ENGINEER OR ARCHITECT WHICH WILL BECOME THE ENGINEER OF RECORD (E.O.R.) FOR THE PROJECT AND WHO WILL BE RESPONSIBLE FOR THE PROPER USE OF THE P.E.D. ENGINEER OF RECORD, ACTING AS A DELEGATED ENGINEER TO THE P.E.D. ENGINEER SHALL SUBMIT TO THIS LATTER THE SITE SPECIFIC DRAWINGS FOR REVIEW.
- D- THIS P.E.D. SHALL BEAR THE DATE AND ORIGINAL SEAL AND SIGNATURE OF THE PROFESSIONAL ENGINEER OF RECORD THAT PREPARED IT.



af c
AL-FAROOQ CORPORATION
 ENGINEERS & PRODUCT DEVELOPMENT
 9360 SUNSET DRIVE, SUITE 220
 MIAMI, FLORIDA 33173 (C.A.N. 3538)
 TEL. (305) 264-8100 FAX. (305) 262-6978
 COMP-ANL\W15-54YO

SERIES 200 ALUMINUM FIXED WINDOW (L.M.I.)
Assura Windows & Doors, LLC.
 1543 N. Powerline Road
 Pompano Beach, FL. 33069
 Tel. (305) 887-2646 Fax. (-)

no	date	description	MANUF. NAME	REV.
A	02.08.17			
B	10.09.17			UPDATED TO 2017 FBC

revisions:
 date: 08-22-15
 scale: 1/2"=1'-0"
 dr. by: TARIQ
 chk. by:

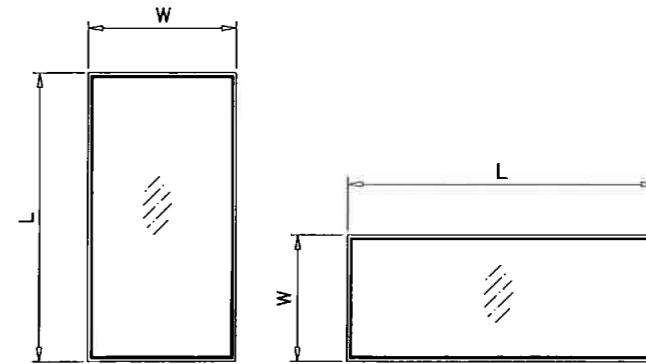
drawing no.
W15-54
 sheet 1 of 5

DESIGN LOAD CAPACITY - PSF							
WINDOW DIMS.		GLASS TYPE 'A'		GLASS TYPE 'B'			
		ANCHORS TYPE 'A'		ANCHORS TYPE 'A'		ANCHORS TYPE 'B'	
WIDTH	LENGTH	EXT. (+)	INT. (-)	EXT. (+)	INT. (-)	EXT. (+)	INT. (-)
19-1/8"	26"	70.0	70.0	65.0	65.0	65.0	65.0
26-1/2"		70.0	70.0	65.0	65.0	65.0	65.0
37"		70.0	70.0	65.0	65.0	65.0	65.0
53-1/8"		70.0	70.0	65.0	65.0	65.0	65.0
19-1/8"	38-3/8"	70.0	70.0	65.0	65.0	65.0	65.0
26-1/2"		70.0	70.0	65.0	65.0	65.0	65.0
37"		63.7	63.7	65.0	65.0	65.0	65.0
53-1/8"		61.5	61.5	65.0	65.0	65.0	65.0
19-1/8"	59"	70.0	70.0	65.0	65.0	65.0	65.0
26-1/2"		70.0	70.0	65.0	65.0	65.0	65.0
37"		63.7	63.7	65.0	65.0	65.0	65.0
53-1/8"		-	-	60.2	60.2	65.0	65.0
19-1/8"	63"	70.0	70.0	65.0	65.0	65.0	65.0
26-1/2"		70.0	70.0	65.0	65.0	65.0	65.0
37"		60.7	60.7	65.0	65.0	65.0	65.0
53-1/8"		-	-	64.3	64.3	65.0	65.0
19-1/8"	74-1/4"	70.0	70.0	65.0	65.0	65.0	65.0
26-1/2"		69.8	69.8	65.0	65.0	65.0	65.0
37"		47.5	47.5	65.0	65.0	65.0	65.0
53-1/8"		-	-	57.3	57.3	65.0	65.0

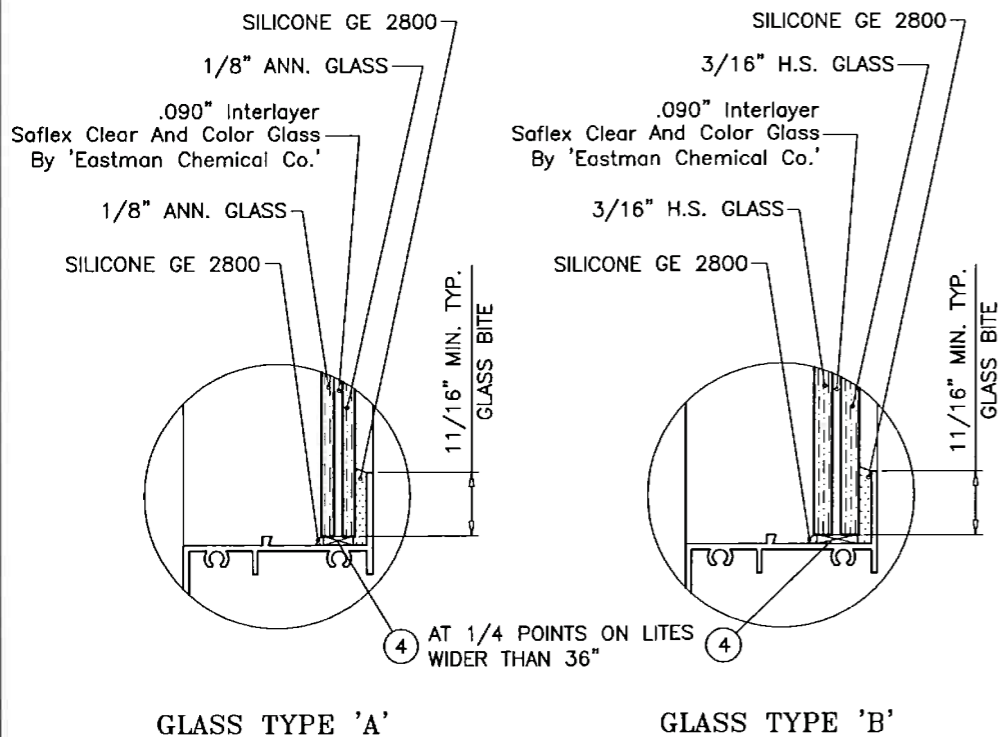
NOTE:
GLASS CAPACITIES ON THIS SHEET ARE
BASED ON ASTM E1300-09 (3 SEC. GUSTS).

DESIGN LOAD CAPACITY - PSF								
WINDOW DIMS.		GLASS TYPE 'A'		GLASS TYPE 'B'				
		ANCHORS TYPE 'A'		ANCHORS TYPE 'A'		ANCHORS TYPE 'B'		
WIDTH	LENGTH	EXT. (+)	INT. (-)	EXT. (+)	INT. (-)	EXT. (+)	INT. (-)	
18"	24"	70.0	70.0	65.0	65.0	65.0	65.0	
24"		70.0	70.0	65.0	65.0	65.0	65.0	
30"		70.0	70.0	65.0	65.0	65.0	65.0	
36"		70.0	70.0	65.0	65.0	65.0	65.0	
42"		70.0	70.0	65.0	65.0	65.0	65.0	
48"		70.0	70.0	65.0	65.0	65.0	65.0	
54"		70.0	70.0	65.0	65.0	65.0	65.0	
60"		70.0	70.0	65.0	65.0	65.0	65.0	
66"		70.0	70.0	65.0	65.0	65.0	65.0	
72"		70.0	70.0	65.0	65.0	65.0	65.0	
18"		36"	70.0	70.0	65.0	65.0	65.0	65.0
24"			70.0	70.0	65.0	65.0	65.0	65.0
30"	70.0		70.0	65.0	65.0	65.0	65.0	
36"	65.5		65.5	65.0	65.0	65.0	65.0	
42"	65.5		65.5	65.0	65.0	65.0	65.0	
48"	65.5		65.5	65.0	65.0	65.0	65.0	
54"	65.5		65.5	65.0	65.0	65.0	65.0	
60"	65.5		65.5	65.0	65.0	65.0	65.0	
66"	58.4		58.4	65.0	65.0	65.0	65.0	
72"	49.7		49.7	64.0	64.0	65.0	65.0	
18"	48"		70.0	70.0	65.0	65.0	65.0	65.0
24"			70.0	70.0	65.0	65.0	65.0	65.0
30"		70.0	70.0	65.0	65.0	65.0	65.0	
36"		65.5	65.5	65.0	65.0	65.0	65.0	
42"		56.2	56.2	65.0	65.0	65.0	65.0	
48"		49.1	49.1	65.0	65.0	65.0	65.0	
54"		49.1	49.1	65.0	65.0	65.0	65.0	
60"		49.1	49.1	60.0	60.0	65.0	65.0	
66"		-	-	61.7	61.7	65.0	65.0	
72"		-	-	54.0	54.0	65.0	65.0	
18"		60"	70.0	70.0	65.0	65.0	65.0	65.0
24"			70.0	70.0	65.0	65.0	65.0	65.0
30"	70.0		70.0	65.0	65.0	65.0	65.0	
36"	65.5		65.5	65.0	65.0	65.0	65.0	
42"	56.2		56.2	63.3	63.3	65.0	65.0	
48"	49.1		49.1	60.0	60.0	65.0	65.0	
54"	-		-	58.2	58.2	65.0	65.0	
60"	-		-	57.6	57.6	60.4	60.4	
66"	-		-	57.6	57.6	60.4	60.4	
72"	-		-	49.4	49.4	60.4	60.4	
18"	72"		70.0	70.0	65.0	65.0	65.0	65.0
24"			70.0	70.0	65.0	65.0	65.0	65.0
30"		62.0	62.0	65.0	65.0	65.0	65.0	
36"		49.7	49.7	64.0	64.0	65.0	65.0	
42"		-	-	58.1	58.1	65.0	65.0	
48"		-	-	54.0	54.0	65.0	65.0	
54"		-	-	51.2	51.2	65.0	65.0	
60"		-	-	49.4	49.4	60.4	60.4	
18"		84"	70.0	70.0	65.0	65.0	65.0	65.0
24"			70.0	70.0	65.0	65.0	65.0	65.0
30"			50.9	50.9	65.0	65.0	65.0	65.0
36"			-	-	61.1	61.1	65.0	65.0
42"	-		-	54.9	54.9	65.0	65.0	
48"	-		-	50.4	50.4	65.0	65.0	
54"	-		-	47.2	47.2	65.0	65.0	

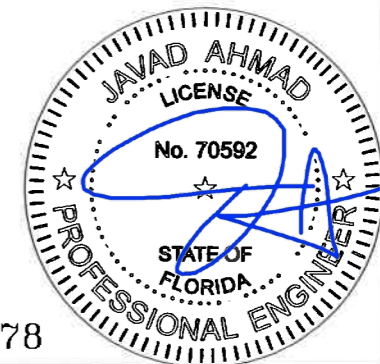
DESIGN LOAD CAPACITY - PSF								
WINDOW DIMS.		GLASS TYPE 'A'		GLASS TYPE 'B'				
		ANCHORS TYPE 'A'		ANCHORS TYPE 'A'		ANCHORS TYPE 'B'		
WIDTH	LENGTH	EXT. (+)	INT. (-)	EXT. (+)	INT. (-)	EXT. (+)	INT. (-)	
18"	96"	70.0	70.0	65.0	65.0	65.0	65.0	
24"		66.8	66.8	65.0	65.0	65.0	65.0	
30"		47.2	47.2	65.0	65.0	65.0	65.0	
36"		-	-	59.1	59.1	65.0	65.0	
42"		-	-	52.7	52.7	65.0	65.0	
48"		-	-	48.0	48.0	65.0	65.0	
18"	108"	70.0	70.0	65.0	65.0	65.0	65.0	
24"		70.0	70.0	65.0	65.0	65.0	65.0	
30"		-	-	65.0	65.0	65.0	65.0	
36"		-	-	57.6	57.6	65.0	65.0	
42"		-	-	51.1	51.1	65.0	65.0	
18"		114"	62.2	62.2	65.0	65.0	65.0	65.0
24"	62.2		62.2	65.0	65.0	65.0	65.0	
30"	-		-	65.0	65.0	65.0	65.0	
36"	-		-	60.0	60.0	65.0	65.0	
18"	120"		55.6	55.6	65.0	65.0	65.0	65.0
24"			55.6	55.6	65.0	65.0	65.0	65.0
30"		-	-	65.0	65.0	65.0	65.0	
36"		-	-	56.5	56.5	65.0	65.0	
18"		132"	44.6	44.6	65.0	65.0	65.0	65.0
24"			-	-	65.0	65.0	65.0	65.0
30"	-		-	65.0	65.0	65.0	65.0	
18"	144"		39.2	39.2	65.0	65.0	65.0	65.0
24"			-	-	65.0	65.0	65.0	65.0
30"			-	-	64.3	64.3	65.0	65.0



NOTE:
WIDTH AND LENGTH DIMENSIONS CAN BE ORIENTED
VERTICALLY OR HORIZONTALLY AS SHOWN ABOVE.



GLAZING OPTIONS



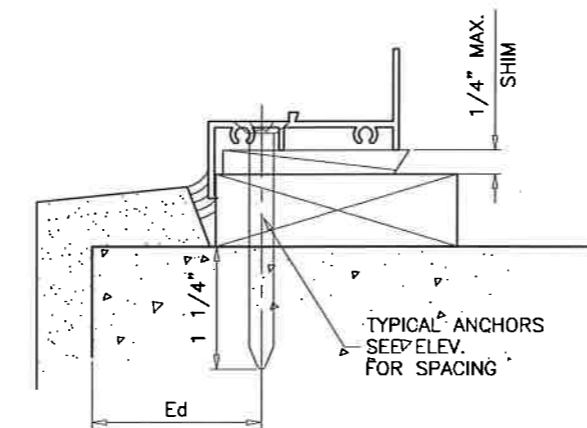
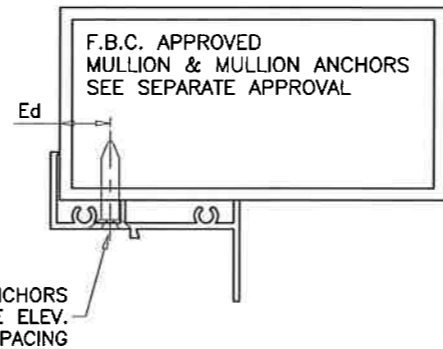
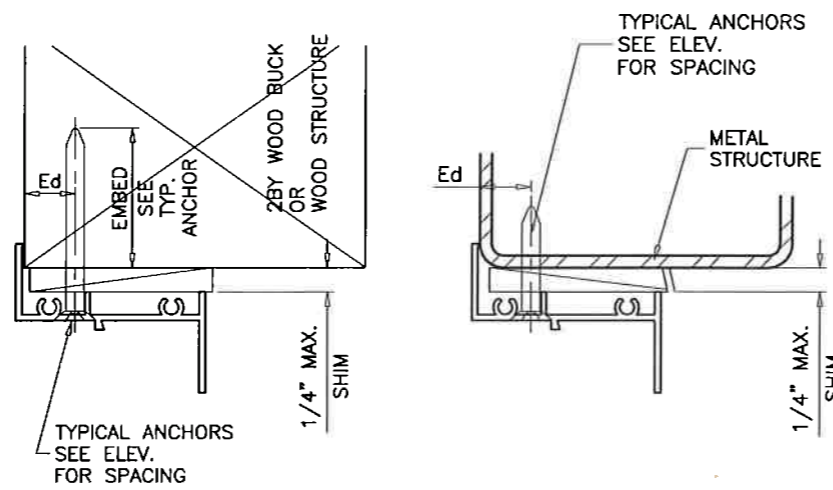
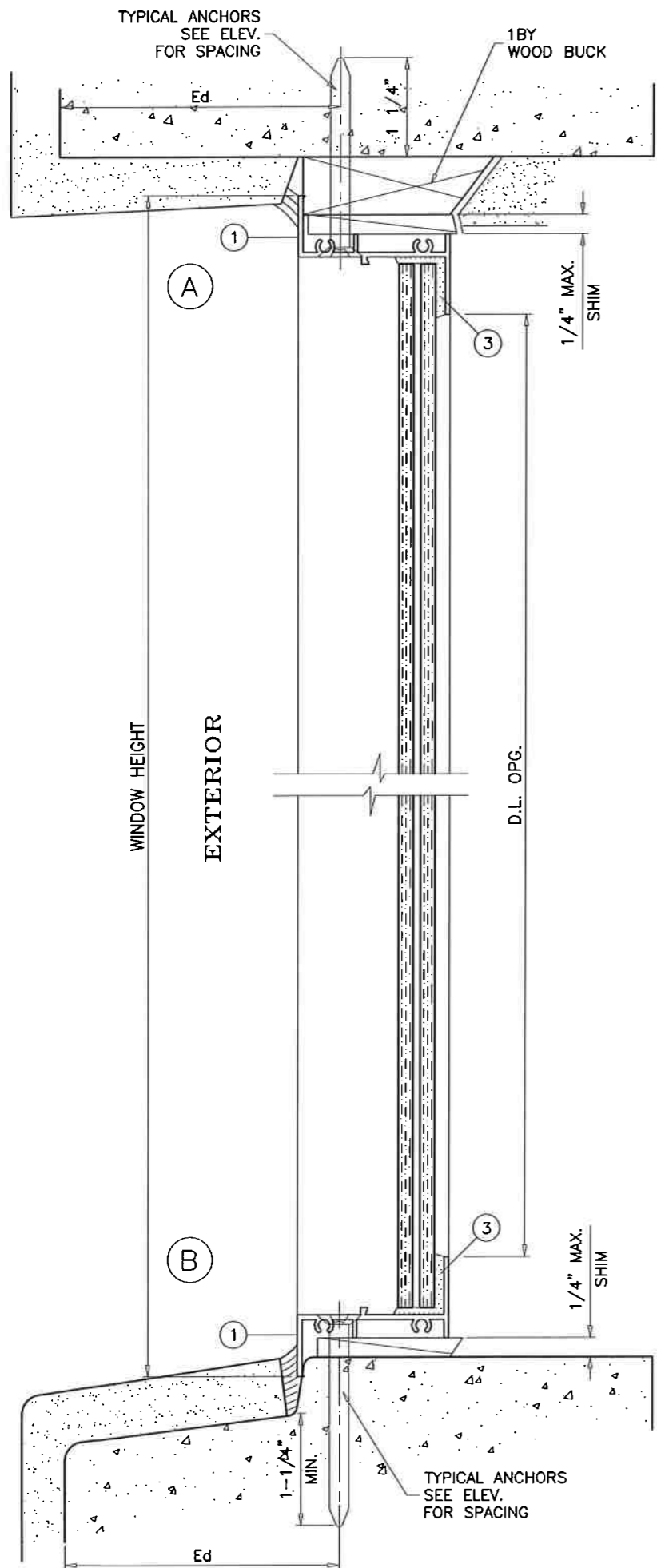
FL #21878

Sealed: 11/27/2017

AL-FAROOQ CORPORATION
ENGINEERS & PRODUCT DEVELOPMENT
9360 SUNSET DRIVE, SUITE 220
MIAMI, FLORIDA 33173 (C.A.N. 3598)
TEL. (305) 264-8100 FAX. (305) 262-6978
COMP-ANL\W15-54YO

SERIES 200 ALUMINUM FIXED WINDOW (L.M.I.)
Assura Windows & Doors, LLC.
1543 N. Powerline Road
Pompano Beach, FL 33069
Tel. (305) 887-2646 Fax. (-)

revisions:	no.	date	description
date:	08-22-15	scale:	-
dr. by:	TARIQ	chk. by:	
drawing no.	W15-54		
sheet	2 of 5		



WOOD BUCKS AND METAL STRUCTURE NOT BY ASSURA WINDOWS MUST SUSTAIN LOADS IMPOSED BY GLAZING SYSTEM AND TRANSFER THEM TO THE BUILDING STRUCTURE.

TYPICAL ANCHORS: SEE ELEV. FOR SPACING

TYPE 'A' - **3/16" DIA. ULTRACON BY 'ELCO'** (Fu=177 KSI, Fy=155 KSI)
 INTO 2BY WOOD BUCKS OR WOOD STRUCTURES
 1-1/8" MIN. PENETRATION INTO WOOD (HEAD/SILL/JAMBS)
 THRU 1BY BUCKS INTO CONC. OR BLOCKS
 1-1/4" MIN. EMBED INTO CONCRETE (HEAD/SILL)
 1-1/4" MIN. EMBED INTO CONC. OR BLOCKS (JAMBS)
 DIRECTLY INTO CONC. OR BLOCKS
 1-1/4" MIN. EMBED INTO CONCRETE (HEAD/SILL)
 1-1/4" MIN. EMBED INTO CONC. OR BLOCKS (JAMBS)

TYPE 'B' - **1/4" DIA. ULTRACON BY 'ELCO'** (Fu=177 KSI, Fy=155 KSI)
1/4" DIA. TAPCON BY 'ITW' (Fu=125 KSI, Fy=100 KSI)
 INTO 2BY WOOD BUCKS OR WOOD STRUCTURES
 1-1/2" MIN. PENETRATION INTO WOOD (HEAD/SILL/JAMBS)
 THRU 1BY BUCKS INTO CONC. OR BLOCKS
 1-1/4" MIN. EMBED INTO CONCRETE (HEAD/SILL)
 1-1/4" MIN. EMBED INTO CONC. OR BLOCKS (JAMBS)
 DIRECTLY INTO CONC. OR BLOCKS
 1-1/4" MIN. EMBED INTO CONCRETE (HEAD/SILL)
 1-1/4" MIN. EMBED INTO CONC. OR BLOCKS (JAMBS)

3/16" DIA. TEKS OR SELF DRILLING SCREWS (GRADE 5 CRS)
 INTO METAL STRUCTURES (HEAD/SILL/JAMBS)
 (3) THREADS MIN. PENETRATION BEYOND SUBSTRATE
 ALUMINUM: 1/8" THK. MIN. (6063-T5 MIN.)
 STEEL: 1/8" THK. MIN. (Fy = 36 KSI MIN.)
 (STEEL IN CONTACT WITH ALUMINUM TO BE PLATED OR PAINTED)

#10 SMS OR SELF DRILLING SCREWS (GRADE 2 CRS)
 INTO F.B.C. APPROVED MULLIONS
 (NO SHIM SPACE)
 (3) THREADS MIN. PENETRATION BEYOND SUBSTRATE
 ALUMINUM: 1/8" THK. MIN. (6063-T5 MIN.)
 STEEL: 1/8" THK. MIN. (Fy = 36 KSI MIN.)
 (STEEL IN CONTACT WITH ALUMINUM TO BE PLATED OR PAINTED)

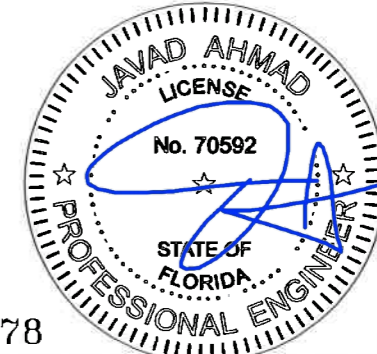
Ed = ANCHOR EDGE DISTANCE

INTO CONCRETE AND BLOCKS = 1-1/4" MIN.
 INTO WOOD STRUCTURE = 9/16" MIN.
 INTO METAL STRUCTURE = 1/2" MIN.

WOOD AT HEAD, SILL OR JAMBS SG = 0.55 MIN.
 CONCRETE AT HEAD, SILL OR JAMBS f'c = 3000 PSI MIN.
 C-90 HOLLOW/FILLED BLOCK AT JAMBS f'm = 2000 PSI MIN.

SEALANTS:

FRAME CORNERS AND INSTALLATION SCREWS SEALED WITH SILICONE SEALANT.



FL #21878

Sealed: 11/27/2017

AL-FAROOQ CORPORATION
 ENGINEERS & PRODUCT DEVELOPMENT
 9360 SUNSET DRIVE, SUITE 220
 MIAMI, FLORIDA 33173 (C.A.N. 3538)
 TEL. (305) 264-8100 FAX. (305) 262-6978
 COMP-ANL\W15-54YO

SERIES 200 ALUMINUM FIXED WINDOW (L.M.I.)
Assura Windows & Doors, LLC.
 1543 N. Powerline Road
 Pompano Beach, Fl. 33069
 Tel. (305) 887-2646 Fax. (-)

revisions:	no	date	description

date:	08-22-15
scale:	1/2" = 1"
dr. by:	TARIC
chk. by:	

drawing no.
W15-54
 sheet 3 of 5



AL-FAROQ CORPORATION
 ENGINEERS & PRODUCT DEVELOPMENT
 9360 SUNSET DRIVE, SUITE 220
 MIAMI, FLORIDA 33173 (C.A.N. 3538)
 TEL. (305) 264-8100 FAX. (305) 262-6978
 COMP-ANL\W15-54YO

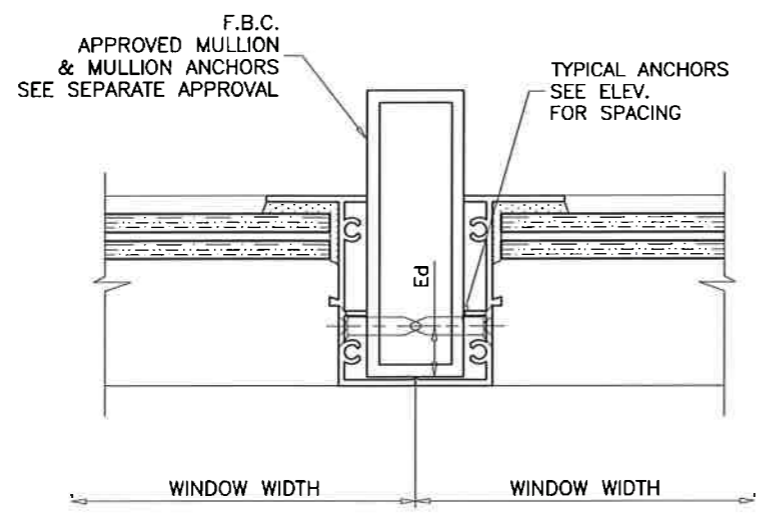
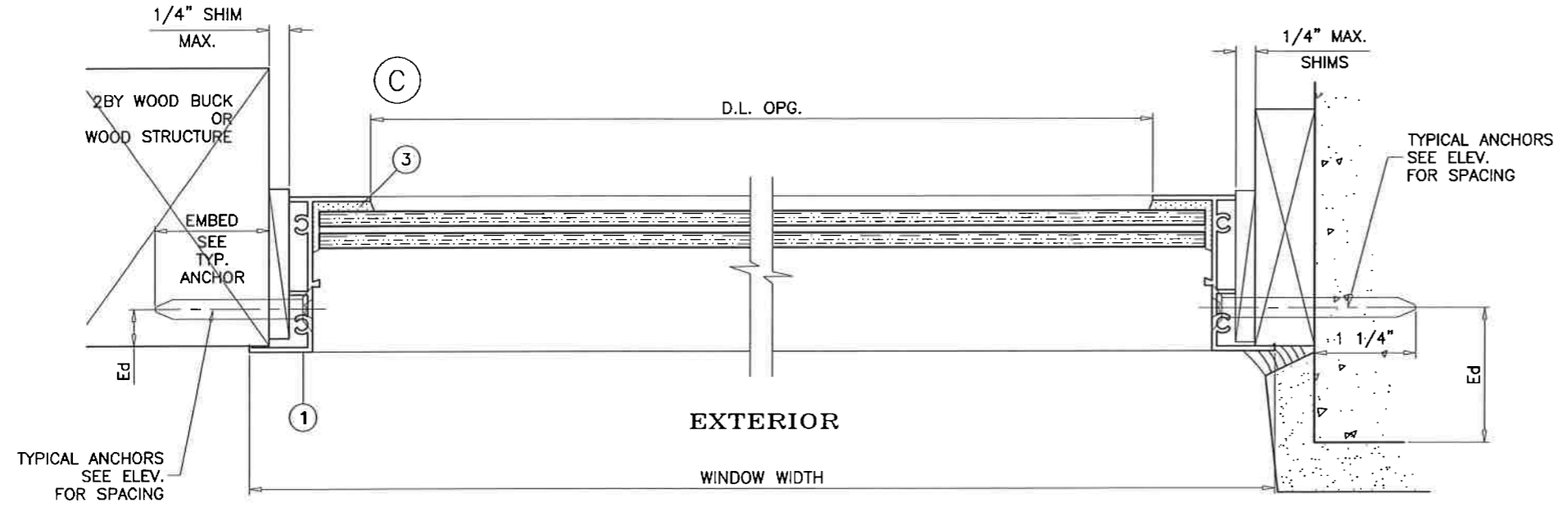
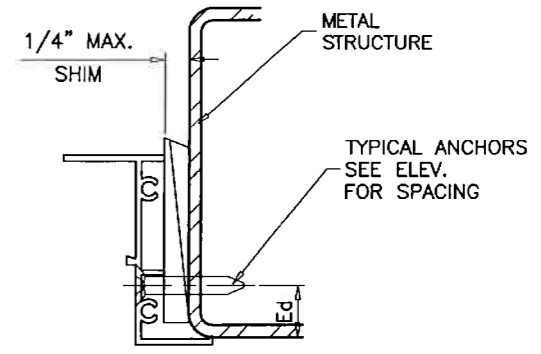
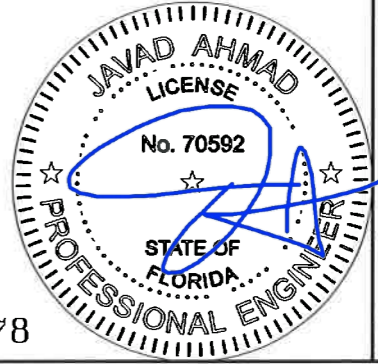
SERIES 200 ALUMINUM FIXED WINDOW (L.M.I.)

Assura Windows & Doors, LLC.
 1543 N. Powerline Road
 Pompano Beach, FL 33069
 Tel. (305) 887-2646 Fax. (-)

no	date	by	description

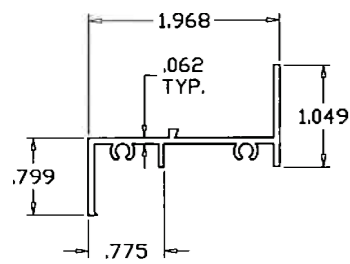
date: 08-22-15
 scale: 1/2" = 1"
 dr. by: TARIQ
 chk. by:

drawing no.
W15-54
 sheet 4 of 5



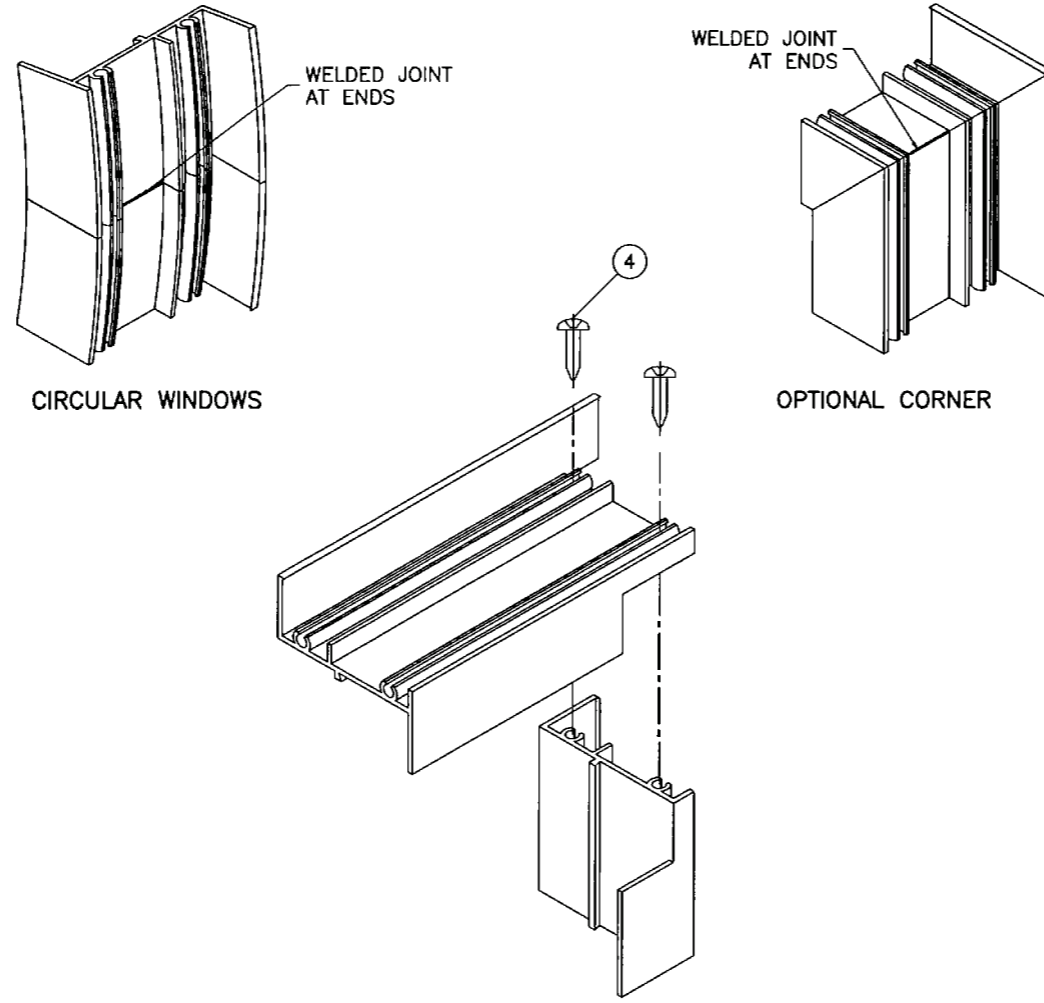
FL #21878

Sealed:11/27/2017



WINDOW FRAME

ITEM NO.	PART NUMBER	QUANTITY	DESCRIPTION	MATERIAL	MANF./SUPLIER/REMARKS
1	YE-60	4	WINDOW FRAME	ALUMINUM	6063-T6
3	-	AS REQD.	GLAZING COMPOUND	SILICONE	GE-2800
4	#8 X 1"	2/ CORNER	FRAME ASSEMBLY SCREWS	-	-
5	-	AS REQD.	SETTING BLOCKS	EPDM	DUROMETER 80±5 SHORE A



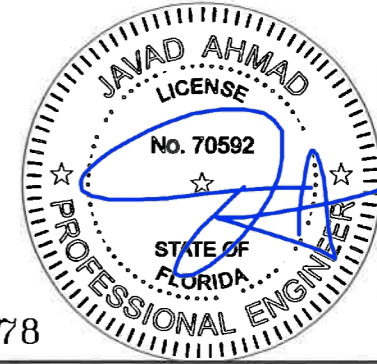
CIRCULAR WINDOWS

WELDED JOINT AT ENDS

OPTIONAL CORNER

RECT. OR SQUARE WINDOWS

TYP. CORNER DETAILS



FL #21878

Sealed:11/27/2017

af c
AL-FAROOQ CORPORATION
 ENGINEERS & PRODUCT DEVELOPMENT
 9360 SUNSET DRIVE, SUITE 220
 MIAMI, FLORIDA 33173 (C.A.N. 353g)
 TEL. (305) 264-8100 FAX. (305) 262-6978
 COMP-ANL\W15-54\O

SERIES 200 ALUMINUM FIXED WINDOW (L.M.I.)
Assura Windows & Doors, LLC.
 1543 N. Powerline Road
 Pompano Beach, FL. 33069
 Tel. (305) 887-2646 Fax. (-)

revisions:	no	date	description

date:	08-22-15
scale:	1/2" = 1"
dr. by:	TARIQ
chk. by:	

drawing no.
W15-54
 sheet 5 of 5