

FLANGE FRAME WINDOW INSTALLATION PROCEDURES

Pre-installation check list:

- A - Are jamb and head bucks installed and anchored per code?
- B - Are bucks aligned with precast sill?
- C - Are bucks properly dimensioned? (1 x 3" min.)
- D - Select and set aside fasteners per N.O.A.

The following instructions are given while standing inside of building:

INSTALLATION

- 1- Place window in vertical position with interior side of window facing you.
- 2- Remove vent from window, and set aside in safe location. (Window weight reduction resulting from vent removal greatly facilitates handling window).
- 3- Back bead interior face of window flange using A.A.M.A. approved caulk. Run a continuous 1/4" diameter bead around entire perimeter of flange. No space should exist where horizontal bead meets vertical bead at corners.
- 4- Raise window up, and place into opening. Move window laterally from side to side to position in center of opening. An equal space should exist on both sides of window. Space must not exceed 1/4" between face of buck and window web. Fig.#3
- 5- Pull window toward you forcing, flanges of window firmly against exterior face of buck. Check flange to ensure that back bedding has flattened against buck, and that back bedding, in compressing, has eliminated any openings or voids.
- 6- Partially install initial fasteners in the sequence as shown in Fig.#1. Do not run fasteners home at this time. This step merely positions window.
- 7- Place level on window sill. Run fasteners home using level to plumb window vertically and horizontally. (Fig.#1)
- 8- Install remaining fasteners in all installation holes. Fastener heads must be fully seated into factory pre punched coined holes. Do not run fasteners aggressively into holes causing frame to bow or loose its shape. Several conditions will result from carelessly overstressing frame i.e.:
 - a. Frame distortion will cause glazing compound to release from glass.
 - b. Balance will not travel freely in frame.
 - c. Frame will rotate collapsing jamb, resulting in vent fitting loosely in jamb pocket.
- 9- Seal all heads of fasteners with A.A.M.A. approved seam sealer.
- 10- Reinstall vent. Push vent removal clips back into jamb. Vent should move vertically with ease. Vent must remain in up position without any drop.
- 11- Lower vent and latch.
- 12- Recommended frame waterproofing detail is shown in Fig. 2.

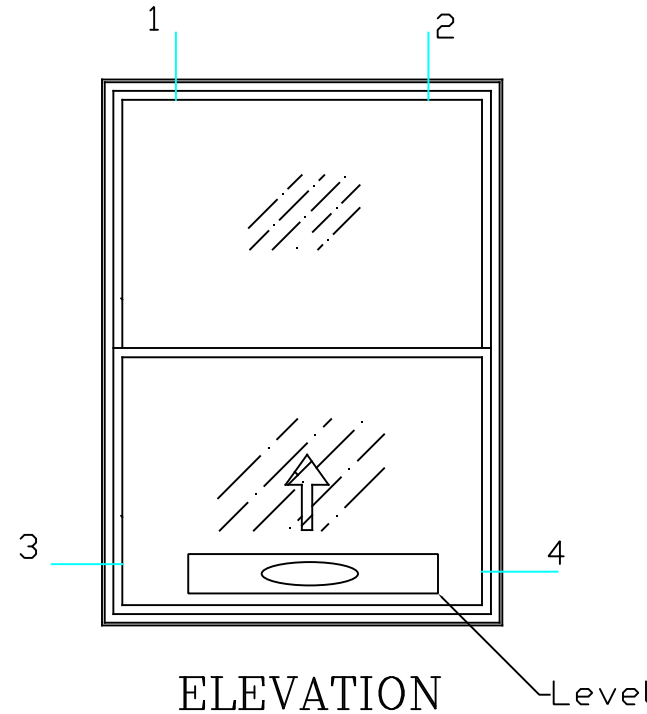
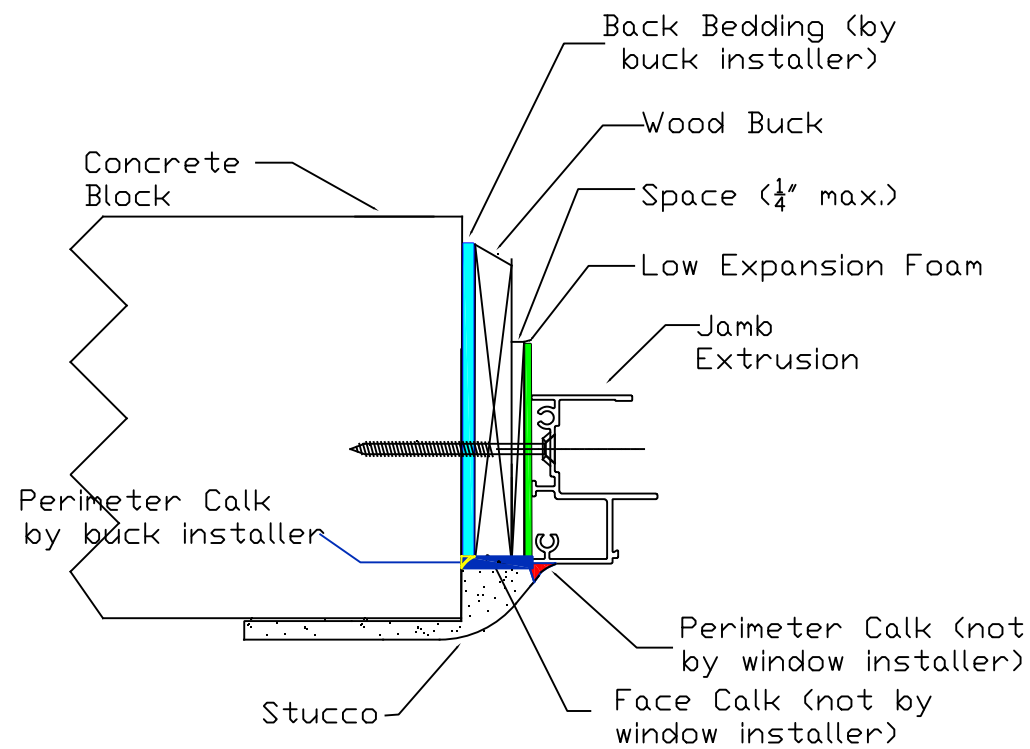
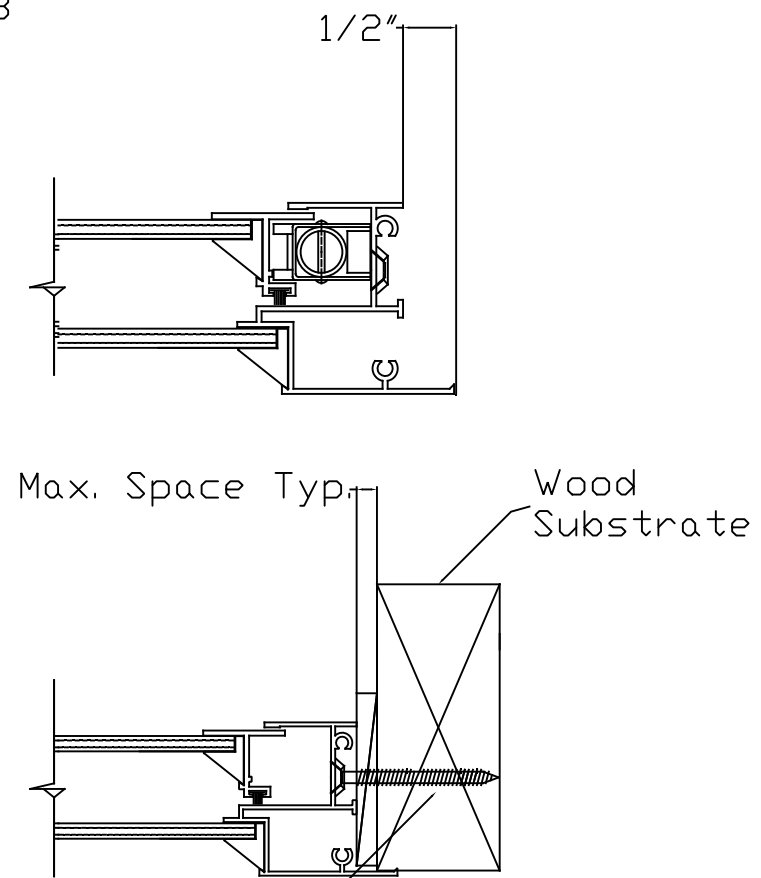


Fig. #1



JAMB SECTION WATERPROOFING

Fig. #3



SEE NOA FOR
FASTENER TYPE & SPACING

JAMB SECTION PLAN VIEWS

Revision Notes:		
Perimeter:	Area:	Wgt/Ft:
0.000	0.000	0.000
Material:	Surface Area:	Ext. Class:
---	0.000	0.000
Tx-z:	Sz-x:	C:
0.000	0.000	0.000
Drawn By:	Date Drawn:	
Thomas J. Sotos, P.E.	02/8/18	
Revised By:	Date Revised:	
Factor:	--/--/--	
000	CCD:	Scale:
0.000		NS



Assura Windows & Doors, LLC
1543 N. Powerline Road Pompano Beach, Fl. 33069
Tel. (305) 887-2646

Draw Class:	Part Class:	Prod Category:	Series/Model:	Item:	Sheet:
---	---	---	---	---	---

INSTALLATION INSTRUCTIONS FOR FLANGE FRAME WINDOWS

Part Number:	Drawing Number:	Revision Level:
---	---	---

Fig. #2