

FIN FRAME WINDOW INSTALLATION

Installations instructions for installing the a fin window into a WOOD BUCK opening.

- 1- Nail plywood to stud wall and cover plywood completely with 30# felt allowing the felt to completely cover the window opening. (Fig.# 1)
- 2- Lap each inside corner with a 12" strip of 30# felt as shown below. Staple in place (Fig.# 2)
- 3- Cut out the opening and fold back the felt into the window opening over the felt that was lapped into each corner, one wall thickness. Staple in place. Trim off excess. (Fig.# 3)
- 4- Remove vent from window, and set aside in safe location. (Window weight reduction resulting from vent removal greatly facilitates handling window).
- 5- Apply liberal amount of mono caulk by "Trimco" to the entire inside perimeter face of the window fin. Run a continuous 1/4" diameter bead around entire perimeter of fin. No space should exist where horizontal bead meets vertical bead at corners.
- 6- Raise window up, and place into opening. Move window latterly from side to side to position in center of opening. An equal space should exist on both sides of window. Space must not exceed 3/16" between face of buck and window web. Check position of window with a level.
- 7- Push window into opening forcing fins and caulking firmly against the felt strips. Check fin to ensure that back bedding has flattened against felt, and that back bedding, in compressing, has eliminated any openings or voids.
- 8- Partially install top fasteners. Do not run fasteners home at this time. This step merely positions window.
- 9- Place level on window sill. Run fasteners home using level to plumb window vertically and horizontally.
- 10- Install remaining fasteners as specified by the product NOA and seal all heads of fasteners with A.A.M.A. approved seam sealer.
- 11- Reinstall vent. Vent should move with ease. For SH windows, Vent must remain in up position without any drop.
- 12- Apply liberal amount of mono caulk to the entire outside perimeter face of the fin.
- 13- Place a strip of 6" wide--15# felt at the base of the window (Fig. 4, #1). The strip should extend 6" beyond the opening on both the right and left side window sill buck. Push the felt into the mono caulking to seal. Securely attach the felt strip in place with staples.
- 14- Place second and third strips at both wall jambs (Fig. 4, #2-3), overlapping sill felt strip at bottom, and run strip up wall to end 6" above jamb.
- 15- Apply final 6" felt strip to header (Fig. 4, #4) by running strip 6" beyond opening on right and left sides, and overlapping both jambs felt strips. Strips should be positioned so that they fully cover the top edge of the window header's fin while making firm contact with web of window's header. Staple strip in place and seal all felt strip edges with Mono.

NOTES: Window opening should be no more that 3/4" larger, side to side and top to bottom than window size. (3/8" per side). Window should be sitting squarely in opening. All fins should be covered by felt strips and no voids should exist between the fins and felt.

STUCCO TO SPEC.

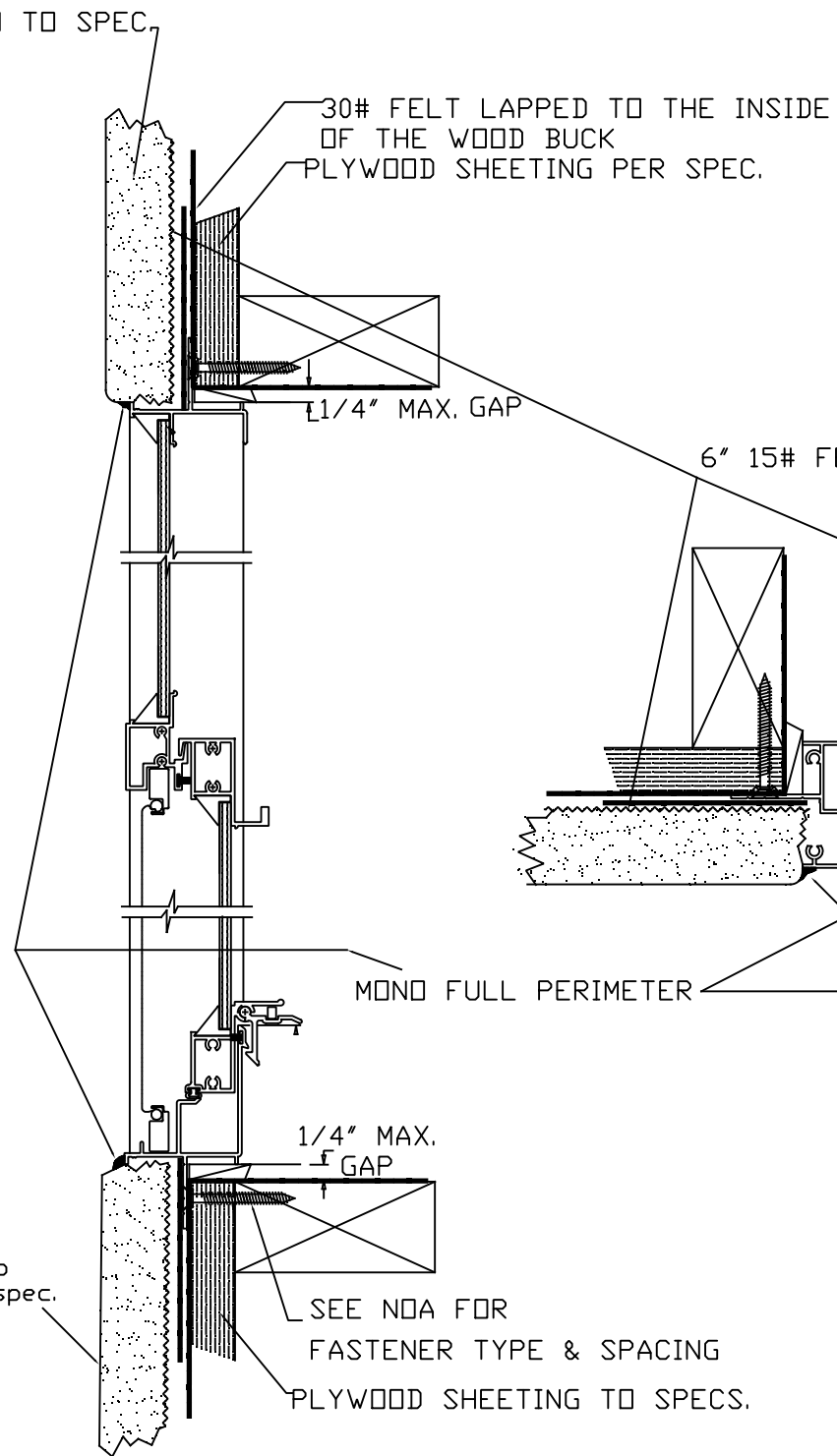
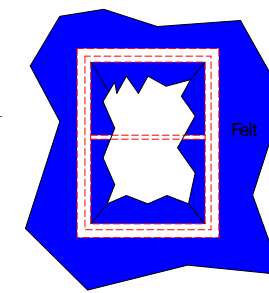
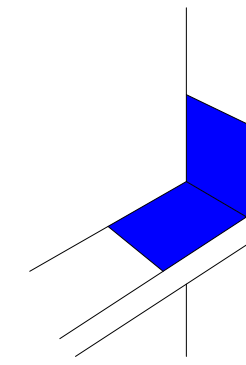


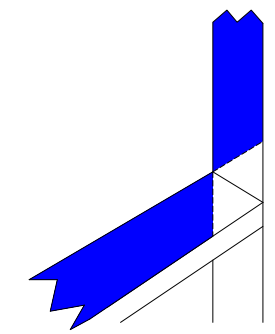
Fig.# 6
Header and Sill Section



Fig# 1



Fig# 2



Fig# 3

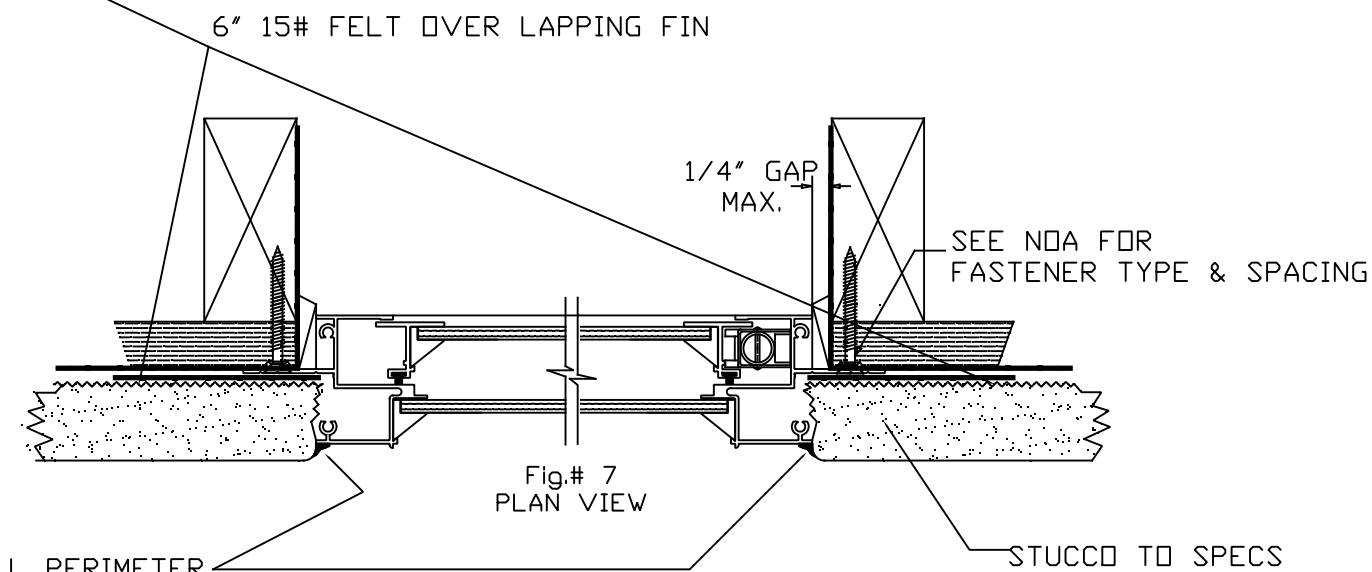
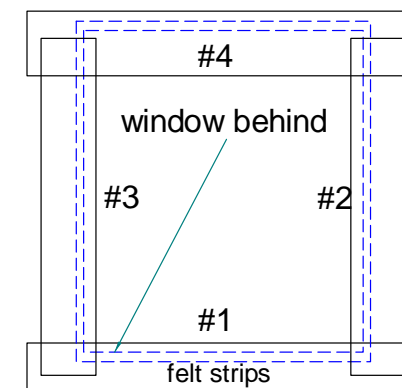


Fig.# 7
PLAN VIEW



Fig# 4

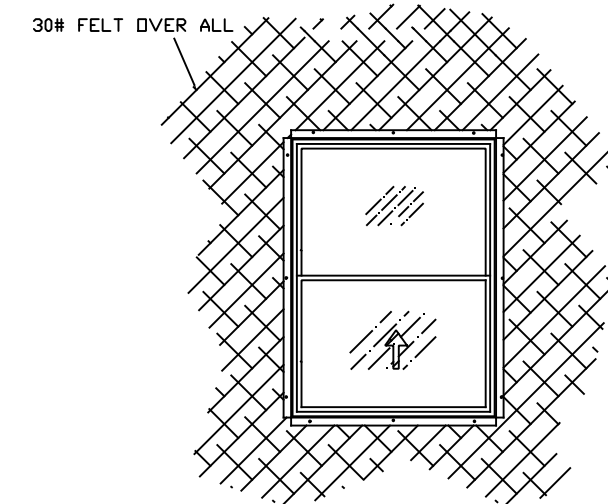


Fig.# 5

Revision Notes: ---		
Perimeter: 0.000	Area: 0.000	Wgt/Ft: 0.000
Material: ---	Surface Area: 0.000	Ext. Class: 0.000
Ix-x: 0.000	Sx-x: 0.000	C: 0.000
Drawn By: Tom J. Sotos, P.E.	Date Drawn: 02/8/18	
Revised By: ---	Date Revised: --/--/--	
Factor: 000	CCD: 0.000	Scale: NS



Assura Windows & Doors, LLC
1543 N. Powerline Road Pompano Beach, Fl. 33069
Tel. (305) 887-2646

Draw Class: --- Part Class: --- Prod Category: --- Series/Model: --- Item: --- Sheet: ---
**Installation Instructions for Fin Frame Window
in Wood Buck Opening**

Part Number: --- Drawing Number: --- Revision Level: ---