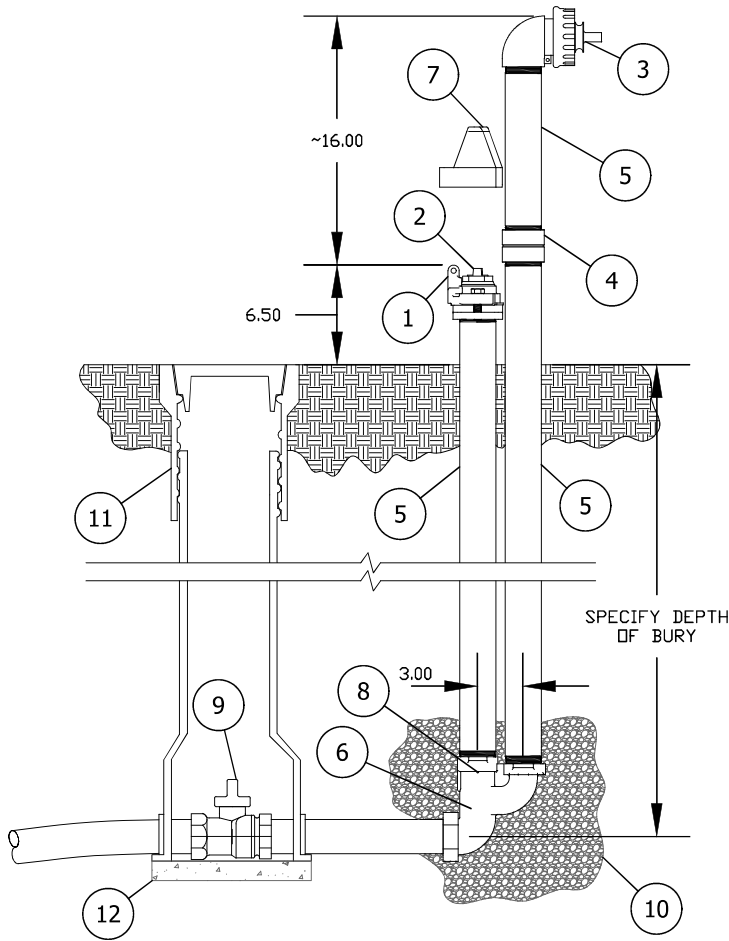


# MAINGUARD #77 SIDE INLET 2" BLOW-OFF SPEC SHEET



MAINGUARD #77 BLOW-OFF HYDRANT SHALL BE SELF-DRAINING, NON-FREEZING TYPE WITH A \_\_\_\_\_' DEPTH OF BURY. HYDRANT SHALL BE FURNISHED WITH A 2" FIP HORIZONTAL SIDE INLET CONNECTION, A NON-TURNING OPERATING ROD AND SHALL OPEN TO THE LEFT. OUTLET SHALL BE 2-1/2" NST OR SMALLER (MUST SPECIFY ON ORDER) WITH CAP AND EXTEND A MINIMUM OF 12" ABOVE THE GROUND.

ALL WATER FLOW SHALL PASS THRU A 2" STEEL PIPE AND WATERWAY. THE OPERATING DRIVE MECHANISM SHALL RAISE AND LOWER A PLUNGER TO CONTROL THE FLOW OF WATER AND SHALL BE SERVICEABLE FROM ABOVE GROUND WITH NO DIGGING, WITH ALL WORKING PARTS BEING BRASS, GALVANIZED STEEL, OR PVC. SAID OPERATING DRIVE SHALL OPERATE WITH A STANDARD UNIVERSAL SLOTTED VALVE WRENCH. WHEN OPEN THE FLOW OF WATER SHALL BE UNOBSTRUCTED AND THE DRAIN HOLE SHALL BE COVERED.

HYDRANT SHALL BE SET IN 4 CUBIC FEET OF CRUSHED STONE TO ALLOW FOR PROPER DRAINAGE OF HYDRANT. RECOMMENDATION OF THE AWWA SHOULD BE FOLLOWED WHEN INSTALLING THE HYDRANT.

THE MAINGUARD #77 BLOW-OFF HYDRANT AS MANUFACTURED BY THE KUPFERLE FOUNDRY, ST. LOUIS MO. 63102 OR APPROVED EQUAL.

ITEM	ITEM / DESCRIPTION	NOTES
1	TOP CAP	
2	SLOTTED OPERATING NUT	
3	2-1/2" NST OUTLET	SHOWN WITH CAP
4	2" COUPLING	
5	2" STEEL PIPE	
6	INLET VALVE BODY	
7	LOCKING COVER	
8	DRAIN HOLE	
9	HYDRANT SHUT-OFF VALVE	BY OTHERS
10	CRUSHED ROCK	BY OTHERS
11	VALVE BOX	BY OTHERS
12	SOLID CONCRETE BLOCK	BY OTHERS

MAINGUARD #77 MANUAL BLOW-OFF HYDRANT SHALL BE INSTALLED IN THE FOLLOWING LOCATIONS:

\_\_\_\_\_

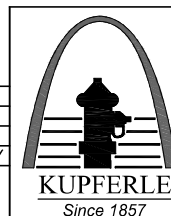
\_\_\_\_\_

DD/MM/YY	ISSUED FOR REFERENCE
DATE	STATUS / REVISION

#77 MAINGUARD (SIDE INLET) SPEC SHEET

	INITIALS	DATE
DRAWN	SMS	08/17/17
APPROVED	DCL	08/17/17
MODIFIED	XXX	MM/DD/YY

SCALE  
1"=1'-0"



2511 NORTH 9TH STREET  
ST. LOUIS, MO 63102  
1-800-231-3990  
FAX 314-231-2820  
www.hydrants.com

SHEET 1 OF 1