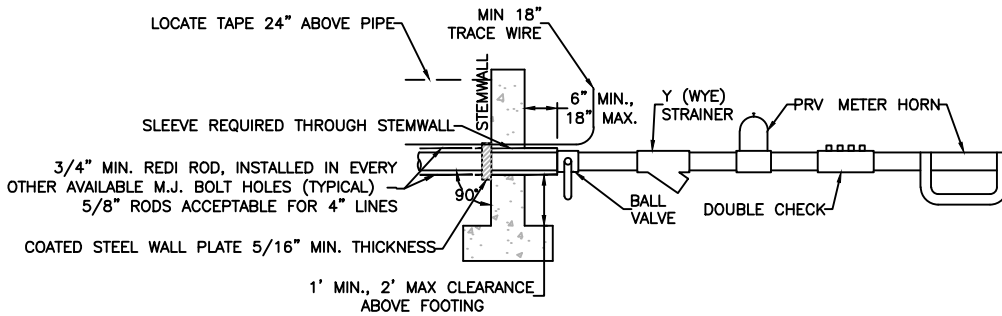
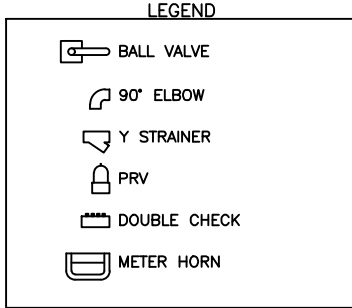
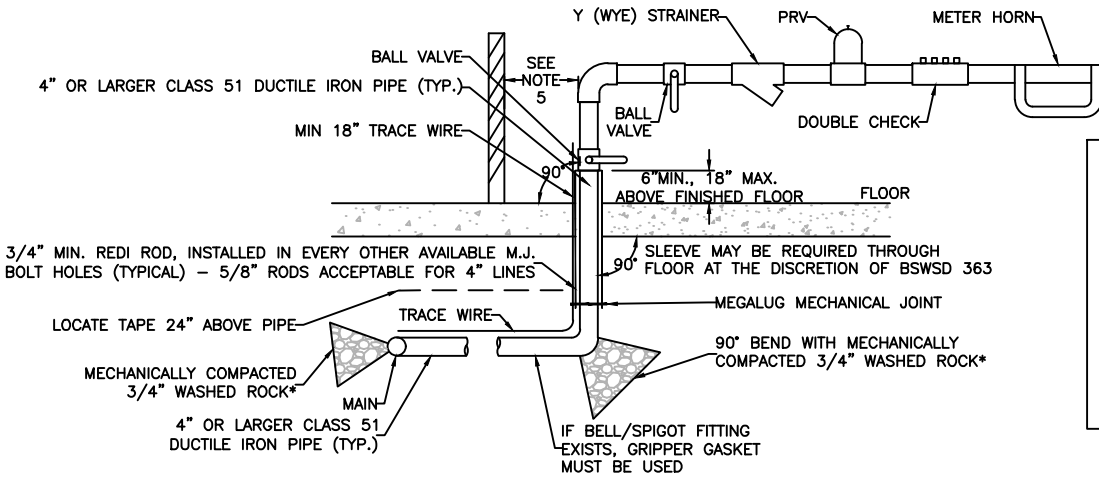


NOTES:
 1. ALL PARTS MUST BE APPROVED BY BSWSD 363.
 2. THRUST BLOCKS MAY BE REQUIRED AT THE DISCRETION OF BSWSD 363.
 3. BALL VALVE HANDLES MUST BE REMOVED AFTER INSTALLATION.



- BIG SKY COUNTY WATER & SEWER DISTRICT 363 REQUIREMENTS FOR INSTALLATION OF REDUCED PRESSURE BACKFLOW PREVENTION ASSEMBLY**
1. The FIRST fitting inside of the building shall be a UL listed flanged gate or ball valve the same size as the service line.
 2. All Double Check Valve Assemblies shall be:
 - 2.1. BSWSD 363 approved parts
 - 2.2. Installed as shown on the approved plans
 3. Horizontal installations must be a minimum of 2' above the finished floor.
 4. The incoming service line shall be a minimum of 7.0', and a maximum of 8.0' below the finished grade.
 5. All service line appurtenances shall have a minimum pressure rating of 175 PSI.
 6. Line sizing: The Double Check Valve Assembly shall be equal in size to both the incoming pipe diameter (upstream) and outgoing pipe diameter (downstream). For example, a 2" fire service line shall have a 2" Double Check Valve Assembly.
 7. Assembly must be accessible at all times.
 8. Floor penetration must be perpendicular to floor.
 9. Wall penetration must be perpendicular to wall.
 10. If water service line comes in through the floor, a sleeve may be installed to allow the first fitting (ball valve) to be installed in a mechanical room.
 11. If more than one unit will be served, refer to meter configuration drawing BSWSD 26-40.
 12. For alternate configurations please contact BSWSD 363 for approval.

DETAIL NO.: BSWSD: 26-39	BIG SKY WSD 363 STANDARD DRAWING	SCALE: NONE	DOMESTIC SERVICE LINE FOR SIZES 2" AND SMALLER	DATE: DECEMBER 2019
				LAST REVISION: JANUARY 2020
				CROSS REFERENCE WITH: SIMILAR TO: COB: 02660-12