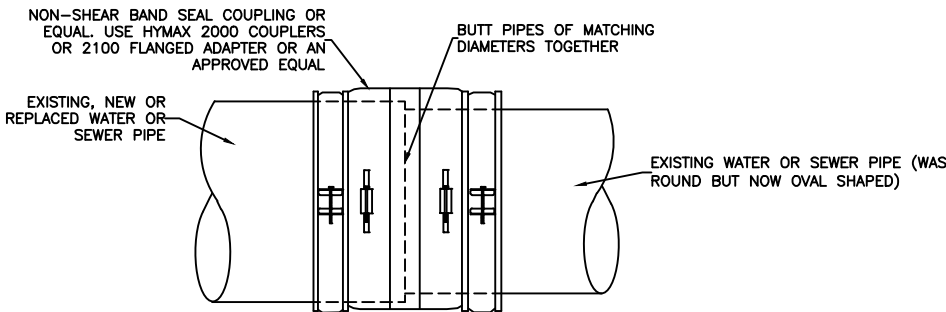
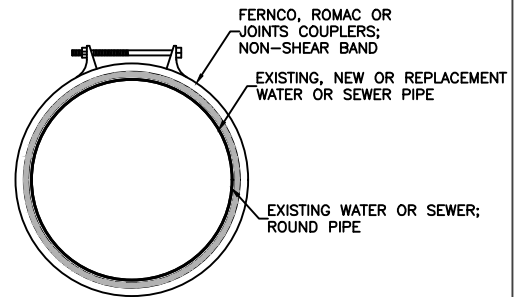
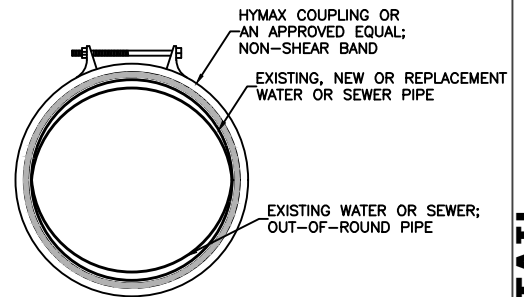


ROUND TO EXISTING ROUND PIPE



ROUND TO EXISTING OUT-OF-ROUND PIPE



**NOTES:**

1. FOR A NEW SANITARY SEWER MANHOLE CONNECTION TO EXISTING LIVE MAIN WITH OUT-OF-ROUND AND OVAL SLOPED PIPE CROSS SECTION WHERE NORMAL FLEXIBLE PIPE COUPLERS CANNOT BE FITTED USE HYMAX OR BIG SKY WATER AND SEWER DISTRICT APPROVED EQUAL.
2. COUPLERS USED ON WATER LINE MUST BE RATED TO 250 PSI WORKING PRESSURE OR GREATER.
3. ALL PARTS MUST BE APPROVED BY BSWSD 363.

DETAIL NO.:

BSWSD:  
26-26

**BIG SKY WSD 363  
STANDARD DRAWING**

SCALE:  
NONE

PIPE TO PIPE CONNECTION  
DETAIL

DATE:

FEBRUARY 2010

LAST REVISION:

DECEMBER 2019

CROSS REFERENCE WITH:

N/A