



ENGINEERING EXCELLENCE

Motegi Series #4MT131T PARTS BREAKDOWN SHEET

DESCRIPTION

- Single Handle Tub and Shower Trim Set
- Metal Lever Handle
- Ceramic Disc Cartridge with Temperature Limit Stop
- Single Function 6" Diameter Rain Showerhead
- Shower Arm and Flange
- Combo 1/2" IPS/Slip-On Diverter Tub Spout
- 7" Spout Reach
- Color Match Sleeve and Retaining Ring

FINISHES

- PC PVD Polished Chrome
- BN PVD Brushed Nickel



#4MT131T SHOWN * ADA

STANDARDS APPLICABLE

- ASME A112.18.1
- ANSI A117.1
- CUPC / IAPMO LISTED /ADA COMPLIANT

FLOW

- Showerhead Limited to 1.75 GPM Flow Rate

Model #: _____

Specific Features: _____

Project Name: _____

Submitted For: _____

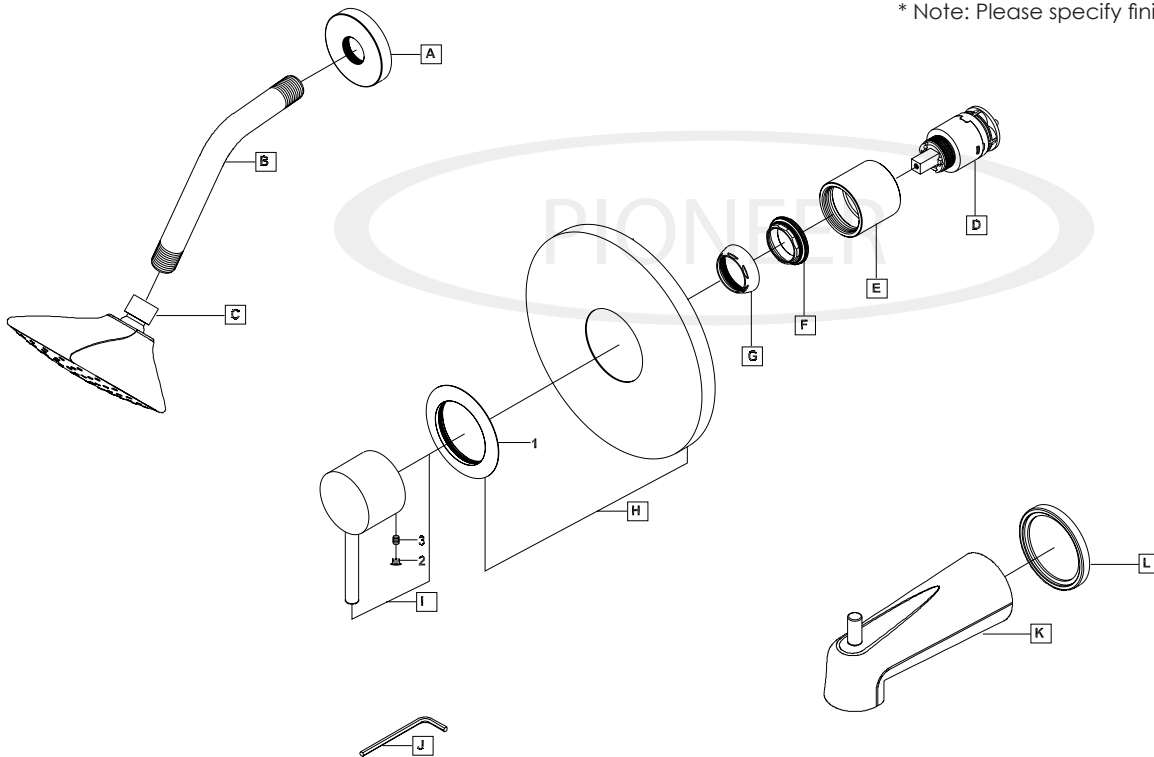
Model	Description	Finishes	
#4MT131T	Single Handle Tub and Shower Trim Set	<input type="radio"/> PC	<input type="radio"/> Other____
Required Valve			
#4020B	Single Handle Tub and Shower Valve Set	<input type="radio"/> N/A	



ENGINEERING EXCELLENCE
 Pioneer:1-800-338-9468
 Commerce, CA 90040
 www.pioneerind.com
 Pioneer Industries, Inc. © 2013

	ITEM#	DESCRIPTION
A	X-6400011*	Shower Arm Flange
B	X-6400002*	Shower Arm
C	X-6400083*	6" Rain Showerhead (1.75 GPM)
D	X-3400007	Ceramic Cartridge
E	X-4400030*	Sleeve
F	X-4400080	Lock Nut
G	X-4200001*	Retainer Cap
H	X-4400043*	Face Plate
I	X-1400028*	Motegi Handle
J	X-4900024	3/32" Allen Wrench
K	X-6400102*	Extended Diverter Tub Spout
L	X-4400105*	Escutcheon
1	X-4400045*	Face Plate Flange
2	X-4900044*	Hole Cover
3	X-4900080	3/32" Allen Screw

* Note: Please specify finish/color when ordering.



Product Diagram



ENGINEERING EXCELLENCE

Pioneer: 1-800-338-9468
 Commerce, CA 90040
 www.pioneerind.com
 Pioneer Industries, Inc. © 2013