
TECHNICAL DATA SHEET

MHT-X 10230 MINING

Manitou Telescopic



MHT-X 10230 MINING

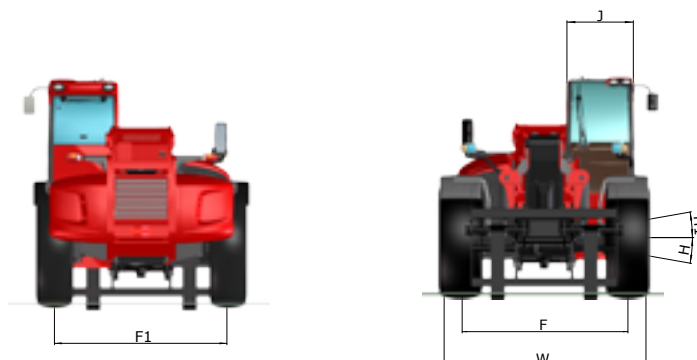
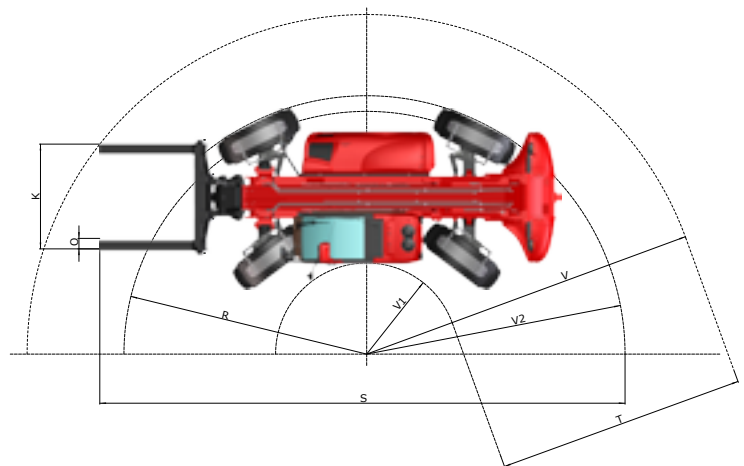
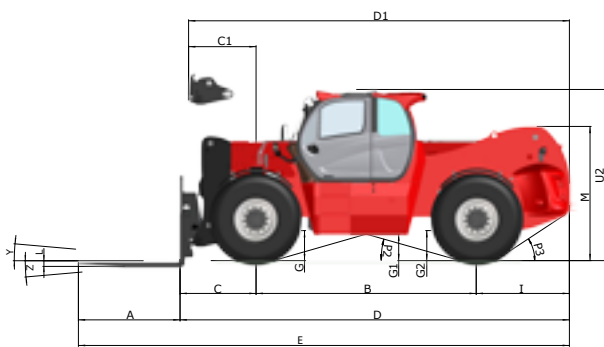
Lifting	
Max. capacity	23000 kg
Max. lifting height	9,65 m
Boom movements speeds (unladen)	
Lifting / Lowering	36,5 / 28,7 secs
Extension / Retraction	15,2 / 12,2 secs
Crowd / Dump	9,5 / 9,6 secs
Engine	
Type	MERCEDES OM 904 LA
Cubic capacity	4 cylinders 4.25 liters
Power	176 HP / 129 kW
Max. torque	675 Nm / 1200-1600 rpm
Injection	Direct
Cooling	Water
Hydraulics	
Pump	Load Sensing 205 l/min - 350 bar
Electrical	
Battery	24 V - 2X12 V - 120 Ah - 850 A
Transmission	
Hydrostatic pump	BOSCH-REXROTH
Type	Hydrostatic with automatic power regulation
Forward/Reverse Selector	Electrohydraulic
Hydrostatic transmission	BOSCH-REXROTH
Number of gears	(forward/reverse) 2/2
Front & Rear axles / Differential	OMCI / Limited slip front rigid - rear oscillating
Drive Wheels	permanent 4 wheel drive
Tyres	18.00 R25 AEOLUS
Max. travel speed (may vary according to applicable regulations)	25 km/h
Steering mode	4 wheel steer - 3 steering modes
Uphill/downhill safe operating grade	34%
Laden drawbar pull	18 500 daN

Braking & Steering	
Type	mining Fail-Safe Braking System
Service brake	Hydraulic power brake
Type	dual acting master cylinder with independent lines to multi-disk brakes in oil bath on front & rear axles.
Control	foot-operated for front & rear axles
Parking/Emergency brake	
Type	spring applied hydraulic release (SAHR) on front & rear axles.
Control	electro-hydraulic. Cabin manual hydraulic lever. automatic application on engine shut-down.
Slope holding performance	25%
Operator test & warning	daily service & park brake test switch procedure warning: Low brake pressure, residual service brake pressure, loss of cabin driver presence.
Standards/Guidelines	based on ISO 3450:2011
Emergency steering	based on ISO 5010:1992
Control systems & Warning	
Stability	Load State Monitoring System with attachment recognition system (E-reco) Bi-axial spilit level indicator
Critical functions monitoring & engine shut down	Manitou Guardian Angel mining system - level 1 engine-steering-hydraulic-speed-tip over
Pre-Start Warning Horn	5s
General protections	
Cabin	ROPS ISO:3471 - FOPS ISO: 3449 Level 1 and 2
Body	boom cylinder rod, lights & cabin guards - metallic self cleaning engine pre-filter Belly guard (plate) - Elevated breathers
Electricals	
Fuse board & main harness	Ultimate Fuse Board protection system
Wiring and other electrical components	Ultimate Wiring protection system (standard in Australia MDG15, option other country)
Fire prevention & control	
Extinguisher(s)	2x 9Kg Powder
Prevention	Engine Compartment Fire Prevention System (standard in Australia MDG15, option other country)

MHT-X 10230 MINING

Ergonomics, access, visibility	
LED Lights & Cameras	360° Visibility Safety System
Work lights	LED 3200 lux (2x front 2x rear 2x boom)
Cameras	blind spots on right hand side and rear
Other	fwd/rev directionnal lights, rear light on when rev
Markings, Signs, Labelling	warning & danger, controls & pre-op, reflective hi-visibility, access & maintenance point
Isolation points & miscellaneous	
Emergency stops	cabin x1 - External x2
Isolation	"dual pole battery + starter isolators, fuel isolation valve, jump start receptacle, all inside engine bay"
Miscellaneous	"radiator safety cap belts & pulleys safety guards wheel chocks x2 boom cylinder lock loose wheel nut indicators"
Capacities	
Hydraulic oil	290 l
Fuel	315 l
Noise and vibration	
Noise at driving position (LpA)	80 dB
Environmental noise (LwA)	107 dB
Vibration to whole hand/arm	<2.5 m/s ²
Vibration on driver's body	<0.5 m/s ²
Weight	29300 kg Unladen (with forks)

A (mm)	1800
B (mm)	3900
C (mm)	1410
C1 (mm)	1210
D (mm)	6950
D1 (mm)	6725
E (mm)	8750
F (mm)	2335
G (mm)	580
G1 (mm)	490
G2 (mm)	590
H (°)	9,7°
H1 (°)	10,3°
I (mm)	1750
J (mm)	927
K (mm)	2000
L (mm)	100
M (mm)	2330
O (mm)	200
P2 (°)	16°
P3 (°)	32°
R (mm)	4945
S (mm)	10200
T (mm)	4400
U2 (mm)	3055
V (mm)	6650
V1 (mm)	2250
V2 (mm)	5400
W (mm)	2850
Y (°)	12,8°
Z (°)	102°



MHT-X 10230 MINING

OPTIONAL EQUIPMENT

Control systems & warnings

External overload light tower indicator for rated capacity limiter (Green, Yellow, Red)

Guardian angel mining system - Level 2

Tyre pressure & temperature monitoring

General protection

Hydraulic Hose Sleeve Burst Protection

Cabin Guard: roof

Guard: A/C condensor

Side bumper - Protector bar

Rear bumper - Protector bar

Steel mudguards

Fuse board & main harness - Ultimate Fuse Board protection system

Ultimate wiring protection system

Nokian 12.00-20 Armor Gard Mine

Fire prevention & control

Engine Compartment Fire Prevention System Fuel lines fire resistant steel braided

Fire resistant Fuel filter

Turbo Sock

Fire Resistant Engine Bonnet

Fire suppression system - Manual & automatic activation

Cabin extinguisher

Ergonomics access visibility

Seat Tractor-Back shape + Autoretracting Seat Belt 75mm wide

Air conditioning

Maintenance

Battery, Starter isolation points + Jump Start Receptacle In External Weatherproof Enclosure

Fast fill dry break point - Fuel

Fast fill dry break point - Hydraulic oil

Central Greasing System

Auxiliary hydraulic-Electric quick multi-coupling plate system

Easy Connect System - Attachment hydraulic hoses

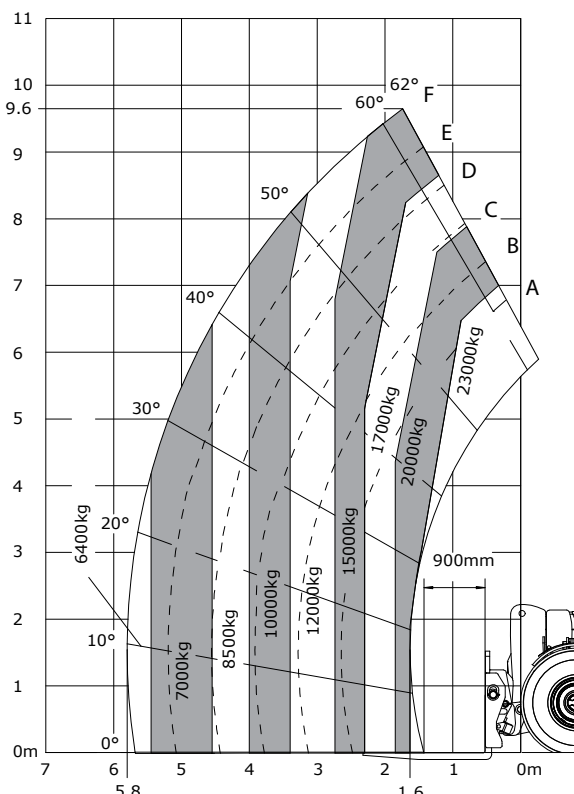
Hydraulic locking of attachment on T.S.

Predisposition

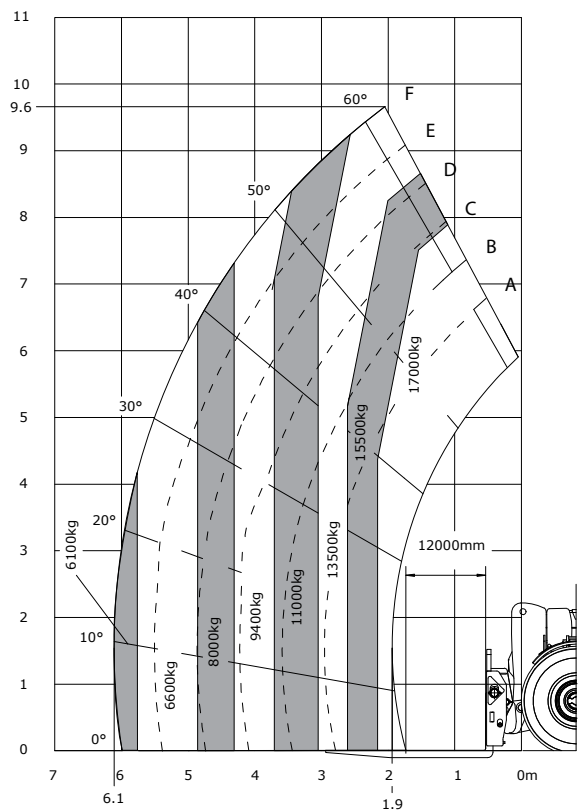
Platform predisposition

Tyre handler predisposition

Machine on tyres with forks (Load Centre at 900 mm) (Norm EN1459-B) (Norm AS1418.19)

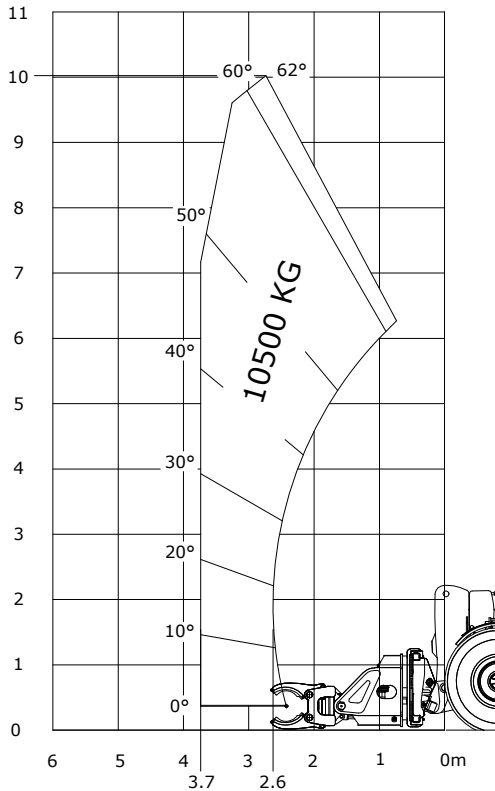


Machine on tyres with forks (Load Centre at 1200 mm) (Norm EN1459-B) (Norm AS1418.19)

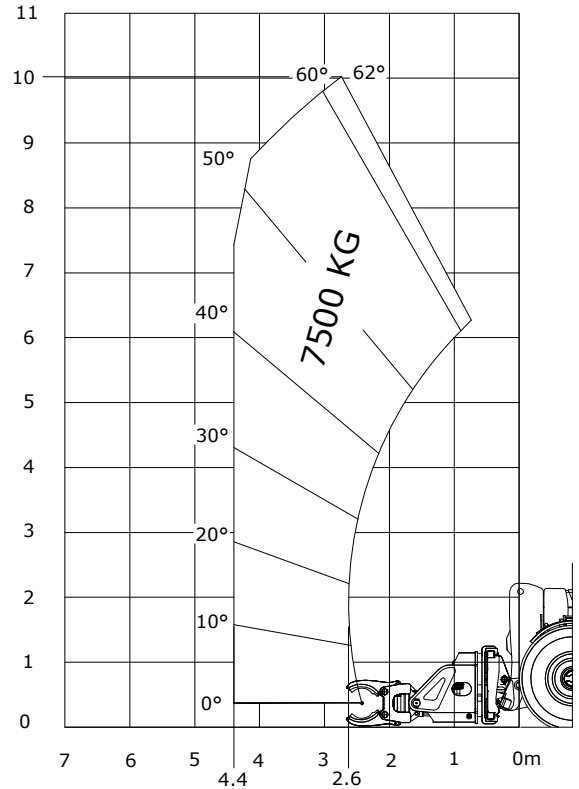


MHT-X 10230 MINING

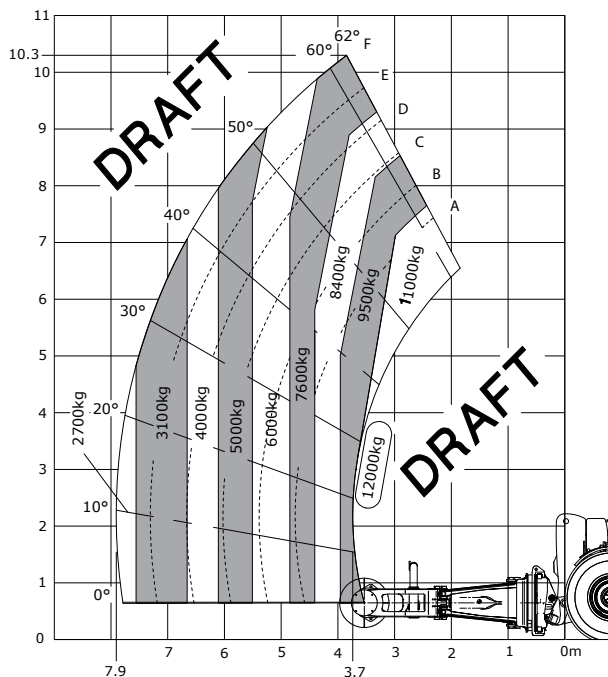
**Machine on tyres with CH10 10,5T
(Norm EN1459-B)
(Norm AS1418.19)**



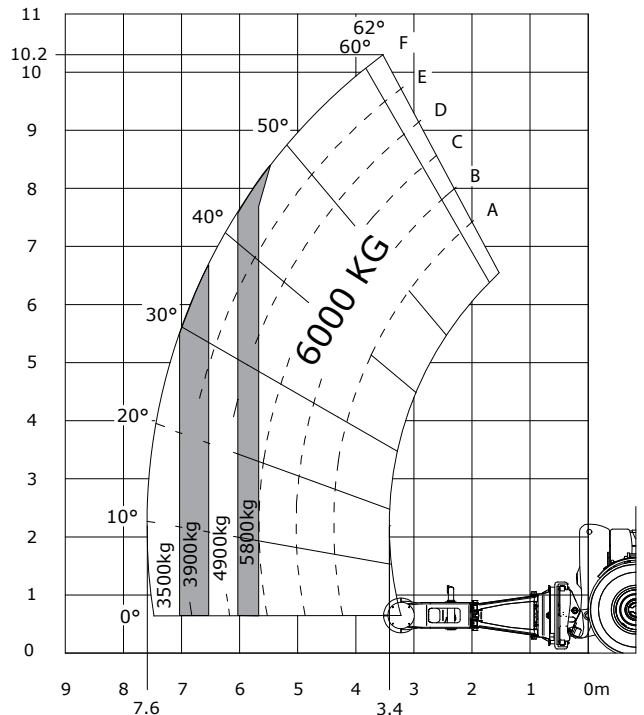
**Machine on tyres with CH10-7,5 tons
(Norm EN1459-B)
(Norm AS1418.19)**



**Machine on tyres with TH63+
(Norm EN1459-B)
(Norm AS1418.19)**

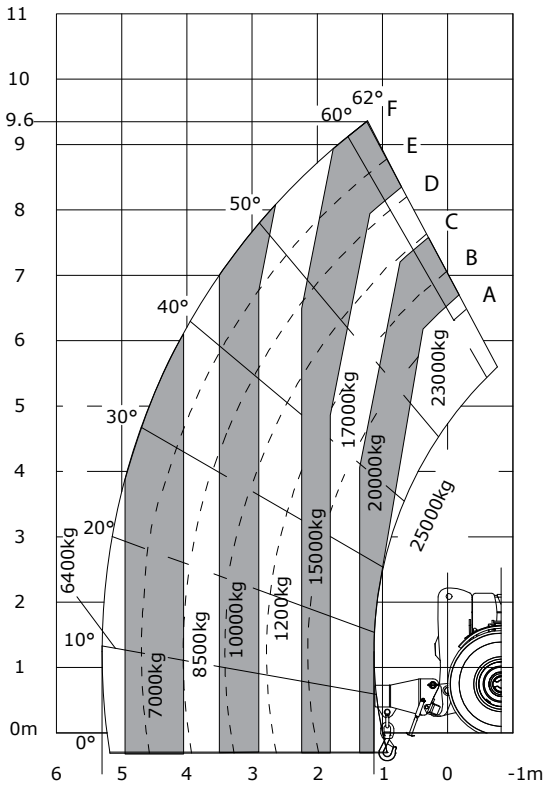


**Machine on tyres with TH57
(Norm EN1459-B)
(Norm AS1418.19)**

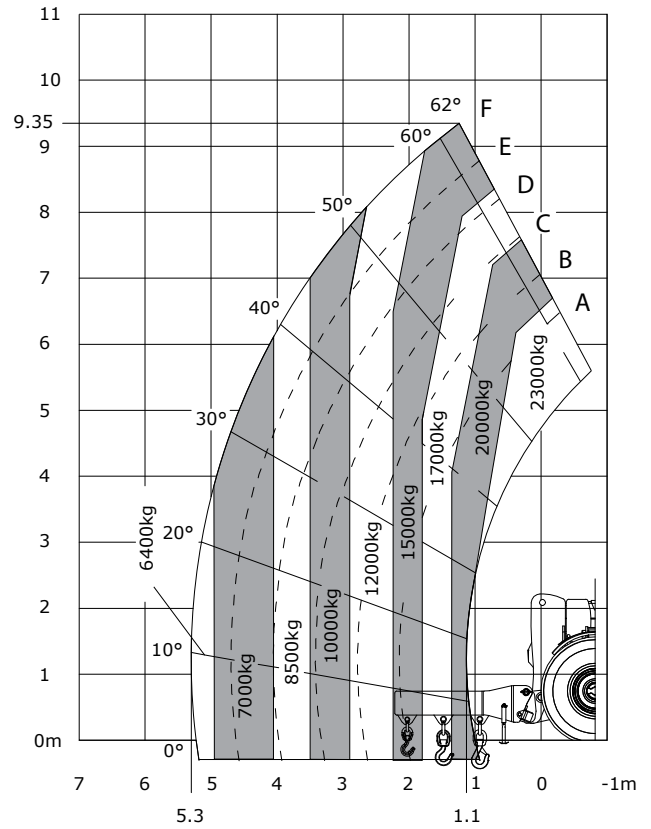


MHT-X 10230 MINING

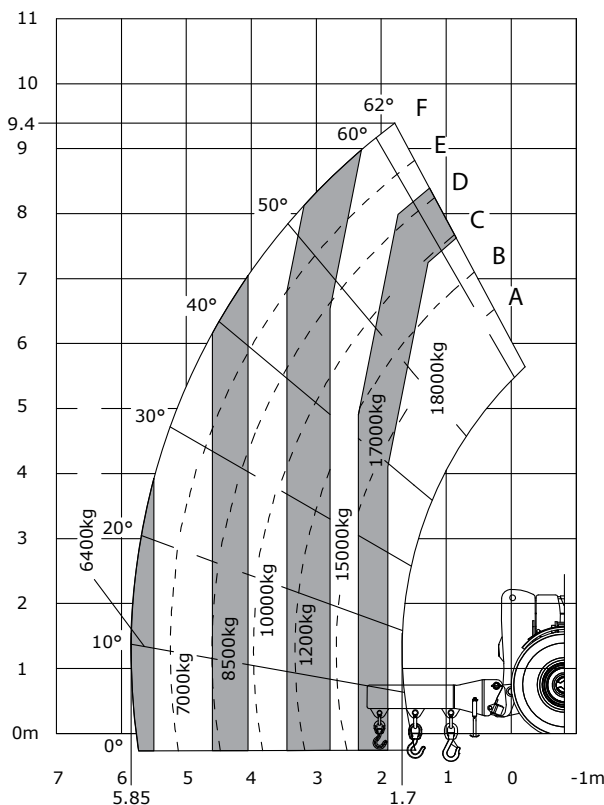
**Machine on tyres with PC25T
(Norm EN1459-B)
(Norm AS1418.19)**



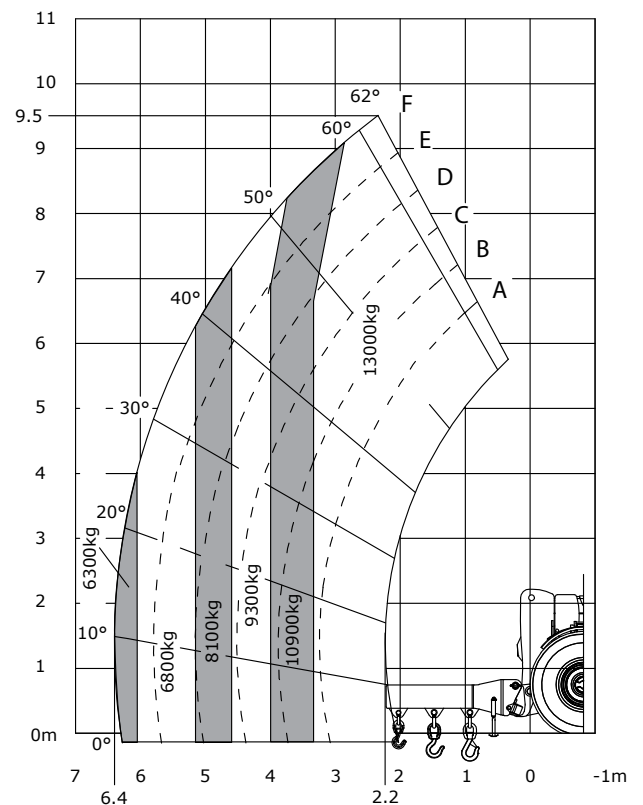
**Machine on tyres with P25000 23t
(Norm EN1459-B)
(Norm AS1418.19)**



**Machine on tyres with P25000 18t
(Norm EN1459-B)
(Norm AS1418.19)**

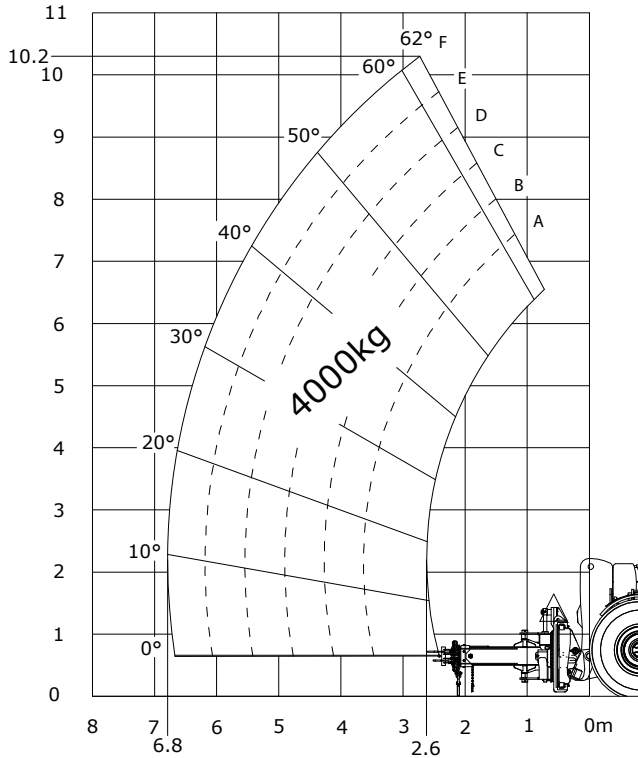


**Machine on tyres with P25000 13t
(Norm EN1459-B)
(Norm AS1418.19)**

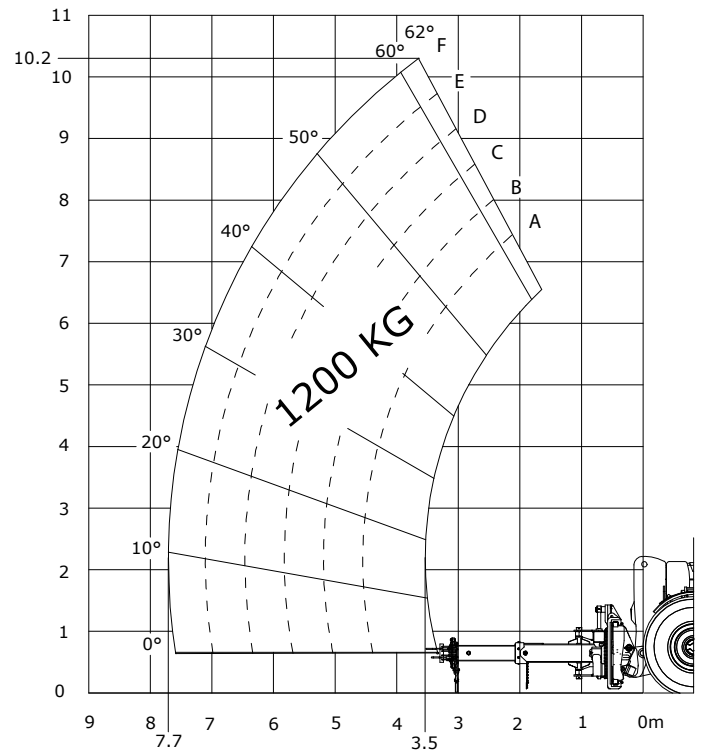


MHT-X 10230 MINING

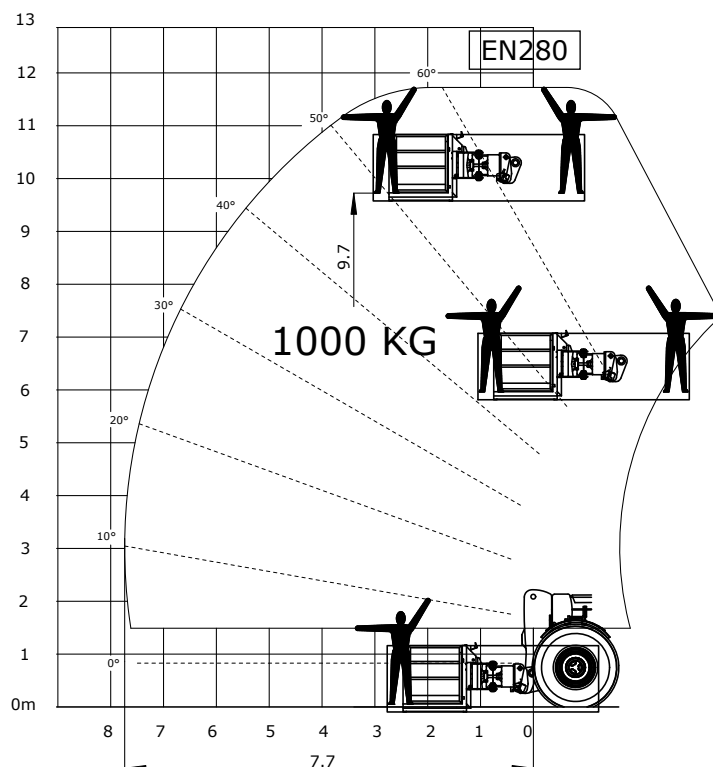
Machine on tyres with CH4-4 tons
(Norm EN1459-B)
(Norm AS1418.19)



Machine on tyres with CH4-1,2 tons
(Norm EN1459-B)
(Norm AS1418.19)



Machine with Platform
PSE 1000kg



Your nearest dealer :



This brochure describes versions and configuration options for Manitou products which may be fitted with different equipment. The equipment described in this brochure may be standard, optional or not available depending on version. Manitou reserves the right to change the specifications shown and described at any time and without prior warning. The manufacturer is not liable for the specifications given. For more information, contact your Manitou dealer. Non-contractual document. Product descriptions may differ from actual products. List of specifications is not comprehensive. The logos and visual identity of the company are the property of Manitou and may not be used without authorisation. All rights reserved. The photos and diagrams contained in this brochure are provided for information only.

MANITOU BF SA - Limited company with board of directors - Share capital: 39,547,824 euros - 857 802 508 RCS Nantes