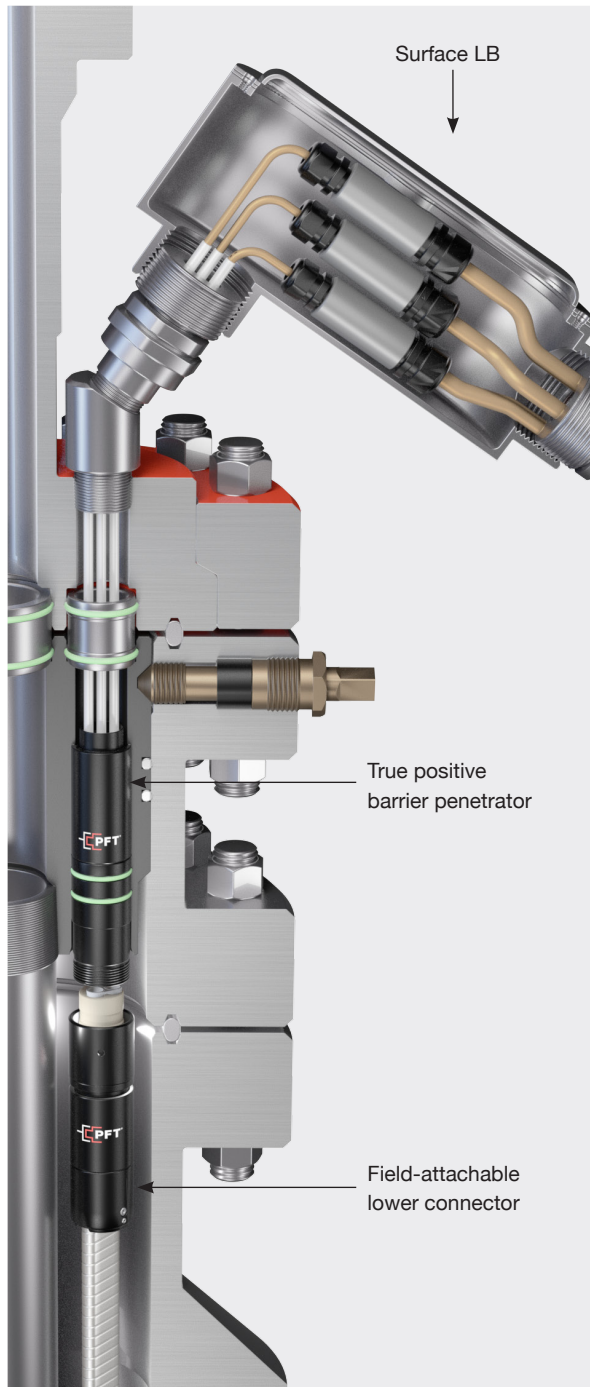




Cayman™ LB Wellhead Feed-Thru System



PFT's Cayman™ LB Wellhead Feed-Thru System is our innovative alternative to low-tier systems that rely on an epoxy putty seal, resulting in a non-positive gas barrier. In the Cayman™ system, existing cable terminates below the wellhead, inside the lower connector. Solid PEEK™ insulators create a positive barrier, blocking any migration of gas or fluids to the surface. Our Cayman™ Lower Connector is field attachable and in most cases can be assembled on a cable in less than 20 minutes. The Cayman™ LB surface junction is fully sealed and can be configured to meet requirements of hazardous location environments.

FEATURES

- Black anti-corrosive and anti-galling finish
- No potting compound
- Reduced assembly time
- Slim outer profile to accommodate nearly any space-constrained wellhead
- Gator Grrip® crimpless contacts
- Thermoplastic insulators and pressure block

SPECS

- 5000 psi API WP (proof tested to 13,500 psi)
- 5kV (proof tested to 20kV)
- 190A (depending on cable size)
- Up to 350° F (175° C) depending on operating requirements
- Fully adaptable to existing surface junction LBs

NOTE: The Cayman™ Penetrator System can also accept PFT's original Make & Break surface connectors with the simple addition of a surface kit. Please ask your PFT representative for more details.