

## PRODUCT CONFIGURATION



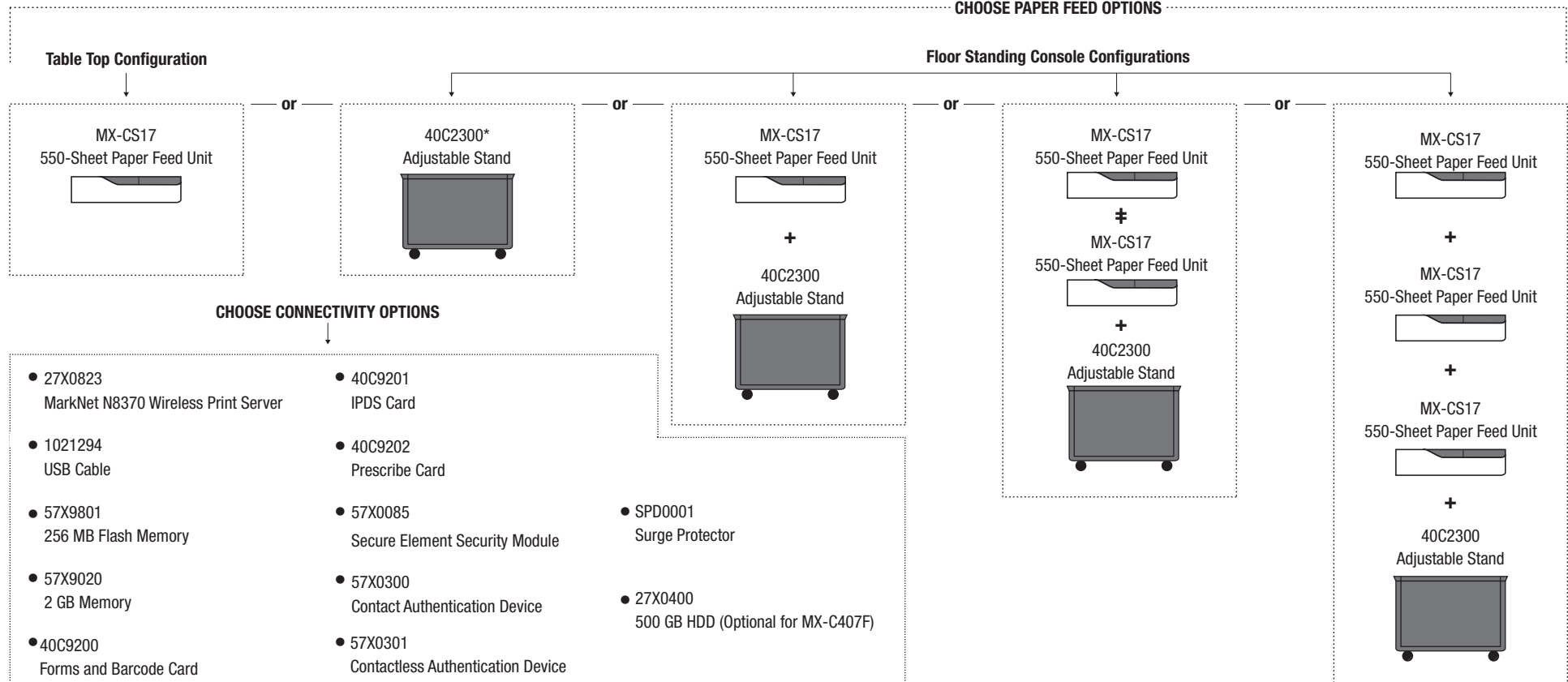
**C507F/C407F**

Desktop Digital Multifunctional Document System  
Single Drawer (included)

**MX-C507F/C407F**

Base models include 7-inch touch screen, wireless connectivity, multitasking controller, PCL®6 and PostScript® 3™ compatible networking printing systems, network scanning, fax, 50-sheet reversing single pass feeder (RSPF), auto duplexing, 550-sheet paper drawer and 100-sheet multi-bypass tray. Includes developer and 7K starter toner cartridges.

**CHOOSE PAPER FEED OPTIONS**

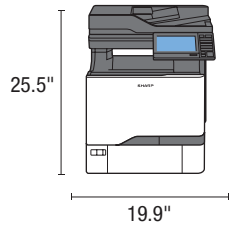


\* Cannot be installed for desktop use.

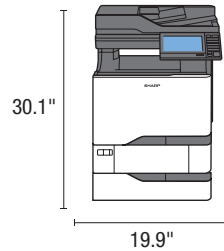
Certain optional equipment may not be available in some areas.

### SPACE REQUIREMENTS AND PLANNING

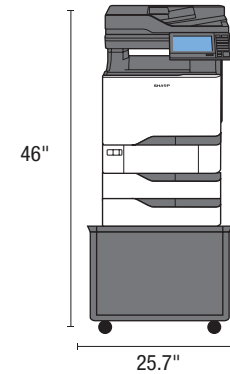
**Main Unit**  
(standard drawer,  
table top)  
650-sheet maximum



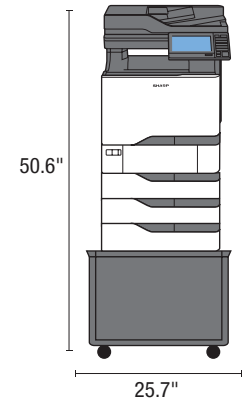
**Main Unit + MX-CS17**  
(1 additional drawer,  
table top)  
1,200-sheet maximum



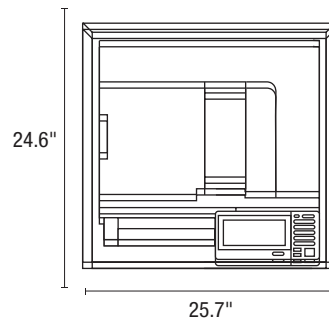
**Main Unit +  
(2) MX-CS17+ 40C2300**  
(2 additional drawers,  
low floor standing)  
1,750-sheet maximum



**Main Unit +  
(3) MX-CS17+ 40C2300**  
(3 additional drawers,  
high floor standing)  
2,300-sheet maximum



#### Overhead View with Stand



*Design and specifications are subject to change without notice. All product dimensions listed are approximate.*

**Plan ahead to ensure your installation is a great success! Check the latest information on these products and have the following items available prior to installation.**

- **Firmware:** Check the Sharp-PC Service site to make sure the machine and accessories have the latest firmware prior to installation at the customer site.
- **Power Source:** Verify the power source at the customer site. Requires 110-127 V AC @ 60 HZ with a 15 A receptacle outlet and circuit breaker.
- **Product Keys:** Obtain application codes for any accessories that may require a product key prior to arrival at the customer site.
- **Supplies:** Verify that the customer has enough supplies on hand. Starter toner included.

*MX-C50TB Black Toner Cartridge*

*MX-C50TC Cyan Toner Cartridge*

*MX-C50TM Magenta Toner Cartridge*

*MX-C50TY Yellow Toner Cartridge*

*MX-C50DU-B Black Imaging Kit (includes drum/developer)*

*MX-C50DU-S Cyan/Magenta/Yellow (includes drum/developer)*