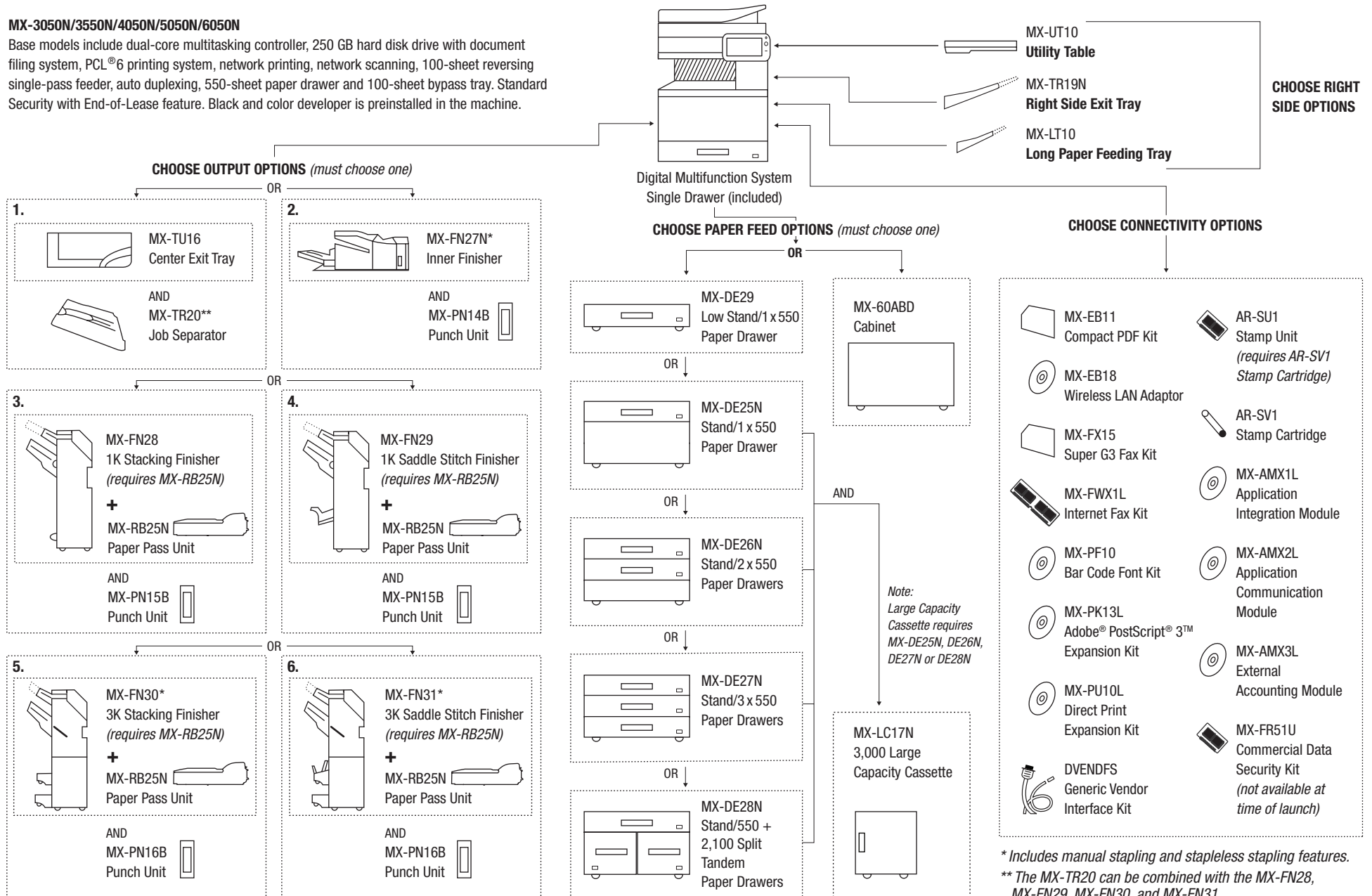


PRODUCT CONFIGURATION

MX-3050N/3550N/4050N/5050N/6050N

Base models include dual-core multitasking controller, 250 GB hard disk drive with document filing system, PCL®6 printing system, network printing, network scanning, 100-sheet reversing single-pass feeder, auto duplexing, 550-sheet paper drawer and 100-sheet bypass tray. Standard Security with End-of-Lease feature. Black and color developer is preinstalled in the machine.

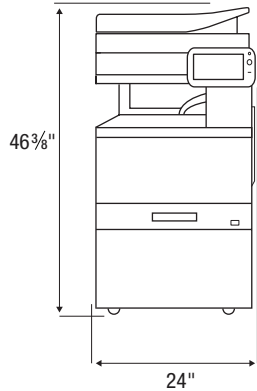


* Includes manual stapling and stapleless stapling features.

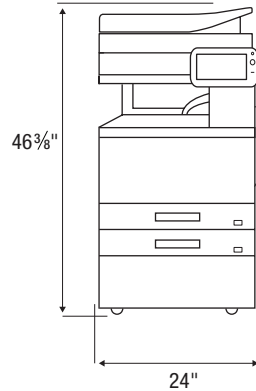
** The MX-TR20 can be combined with the MX-FN28, MX-FN29, MX-FN30, and MX-FN31

SPACE REQUIREMENTS AND PLANNING

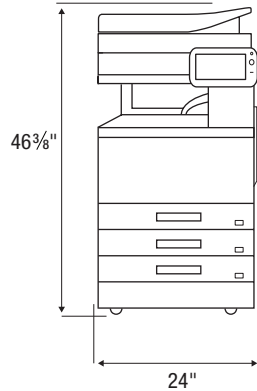
Main Unit + MX-TU16 + MX-60ABD
(standard drawer plus cabinet)
650-sheet maximum



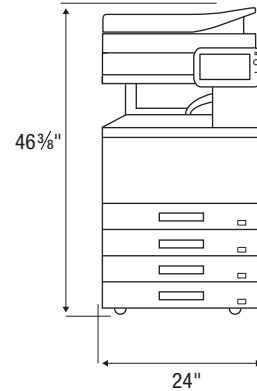
Main Unit + MX-TU16 + MX-DE25N
(1 additional drawer)
1,200-sheet maximum



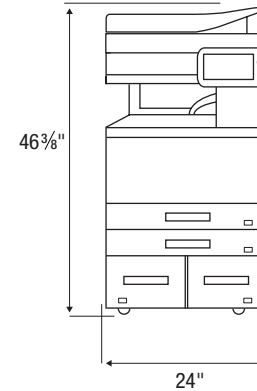
Main Unit + MX-TU16 + MX-DE26N
(2 additional drawers)
1,750-sheet maximum



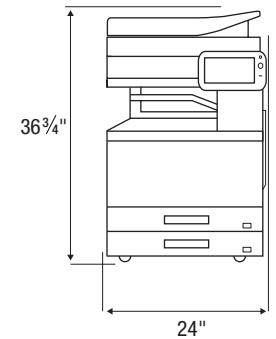
Main Unit + MX-TU16 + MX-DE27N
(3 additional drawers)
2,300-sheet maximum



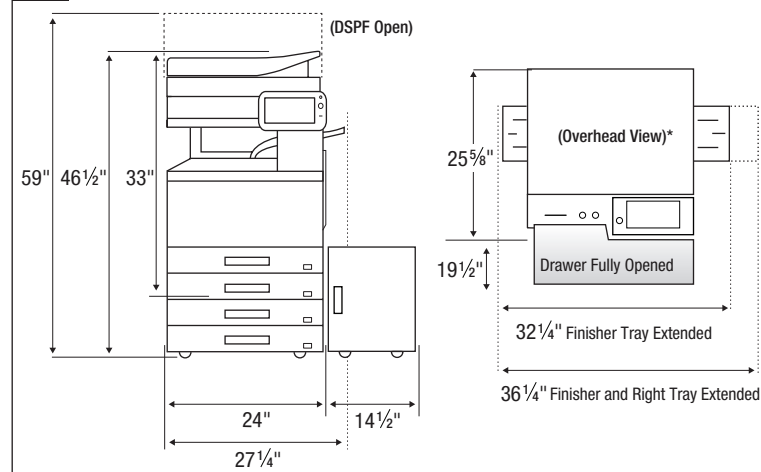
Main Unit + MX-TU16 + MX-DE28N
(1 additional drawer + 2 split tandem drawers)
3,300-sheet maximum



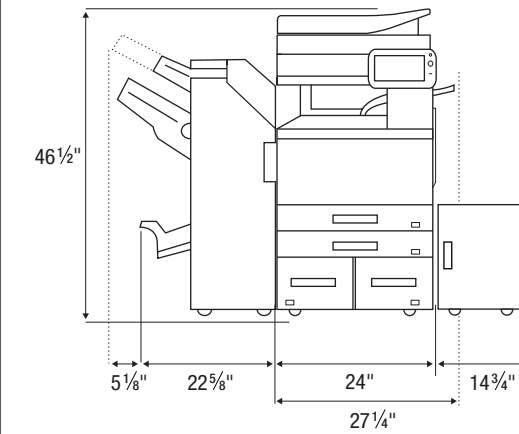
Main Unit + MX-TU16 + MX-DE29
(1 additional drawer –
for wheelchair access)
1,200-sheet maximum



1 Main Unit + MX-TU16 + MX-DE27N + MX-LC17N (5,300-sheet maximum)



2 Main Unit + MX-RB25N + MX-FN29 + MX-DE28N + MX-LC17N (6,300-sheet maximum)



Plan ahead to ensure your installation is a great success!

- Firmware:** Check the Sharp-PC Service site to make sure the machine and accessories have the latest firmware prior to installation at the customer site.
- Power Source:** Verify the power source at the customer site:
 - MX-3050N/3550N/4050N: Requires 110-127 V AC @ 60 HZ with a 15 A receptacle outlet and circuit breaker.
 - MX-5050N/6050N: Requires 110-127 V AC @ 60 HZ with a 20 A receptacle outlet and circuit breaker.
- Product Keys:** Obtain application codes for any accessories that may require a product key prior to arrival at the customer site.
- Supplies:** Verify that the customer has enough supplies on hand.

MX-60NTBA Black Toner	MX-60NVBA Black Developer
MX-60NTCA Cyan Toner	MX-60NVSA Cyan/Magenta/Yellow Developer
MX-60NTMA Magenta Toner	MX-60NRSA Drum
MX-60NTYA Yellow Toner	MX-607HB Toner Collection Container

Design and specifications are subject to change without notice. All product dimensions listed are approximate.



Check to see if My Sharp™ online training is set up for the end-user.