

- Compact – requires little space in piping systems
- **No spacers required** – Disc opens fully when installed using ANSI Sch 80 flanges/pipe
- Light weight, easy to install – wafer body slips between standard Sch 80 flanges
- Working pressure 150 psi, non-shock water at 73°F sizes 2-1/2 – 8"
- Vacuum rating: 29.9 Hg (inches mercury)
- Spring dampens the opening and closing action, avoiding water hammer.
- Recommended for horizontal and vertical piping
- Serviceable – repair parts and replacement o-rings are available.

Material Options

- PVC with EPDM or FKM o-ring, 316 SS Spring

Used in:

Industrial Process Piping
 Commercial Swimming Pools
 Water Parks
 Aquaculture
 Aquarium & Zoo support systems
 Pulp & Paper
 Landfill piping
 Marine & other Salt Water applications
 Water & Wastewater Treatment



The Wafer Check Valve is a non-return valve ideal for limited space installations. These valves are available for pipe sizes 2-1/2 – 8". Equipped with SS spring which can be removed if desired.



601N SERIES WAFER CHECK VALVE 2 1/2 – 8"

Sample Engineering Specifications:

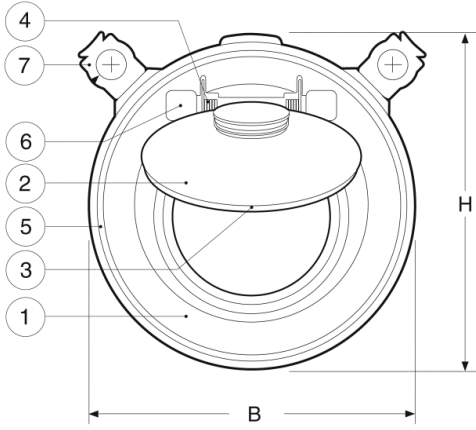
All wafer check valves shall be produced of PVC Type I, cell classification 12454. Valves shall have a single disc design suitable for either horizontal or vertical installations. Valves shall be wafer style conforming to ASME/ANSI B16.1 face-to-face dimensions for Class 150 flanges. O-ring seals of either EPDM or FKM. A 316 Stainless Spring is included to dampen the movement of the disc to prevent water-hammer. Valves shall be rated to 150 psi (2-1/2 - 8"), and 87 psi (10 & 12") non-shock water at 73 degrees F.

Colonial 601 & 601NP Series Wafer Check



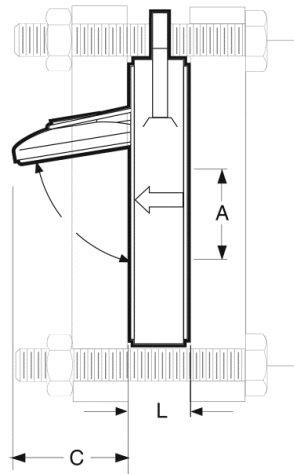
REV 11/26/19 (Added 8" Size and text corrections)

CUSTOMER SERVICE: 6400 Corporate Ave., Portage, MI 49002
 Toll-free (800)374 0234, Phone (269)323 2495, Fax (269) 323 0630 www.colonialengineering.com



Dimensions (in.)

| SIZE | 2-1/2 | 3 | 4 | 6 | 8 |
|------|-------|------|------|------|-------|
| A | 1.80 | 2.30 | 2.90 | 4.40 | 5.90 |
| B | 4.30 | 4.90 | 5.90 | 8.50 | 10.75 |
| C | 1.80 | 2.20 | 2.80 | 4.10 | 5.50 |
| H | 4.80 | 5.30 | 6.30 | 8.70 | 11.80 |
| L | 0.80 | 0.80 | 0.90 | 1.20 | 1.37 |



| ITEM | DESCRIPTION | Qty | MATERIAL |
|------|---------------|-----|----------|
| 1 | Body | 1 | PVC |
| 2 | Disc/ Hinge | 1 | PVC |
| 3 | Disc o-ring | 1 | EPDM/FKM |
| 4 | Spring | 1 | 316 SS |
| 5 | Body o-ring | 2 | EPDM/FKM |
| 6 | Hinge Plug | 2 | PVC |
| 7 | Locating Ears | 2 | PVC |

De-rate pressure for elevated process temps per the chart below:

| Temp (°F) | PVC |
|-----------|------|
| 73 | 1.00 |
| 80 | 0.88 |
| 90 | 0.75 |
| 100 | 0.62 |
| 110 | 0.50 |
| 120 | 0.40 |
| 130 | 0.30 |
| 140 | 0.22 |
| 150 | NR |

PART NUMBERS FOR VALVES

PART NUMBERS FOR REPAIR PARTS

| SIZE | PVC/EPDM | PVC/FKM | Ctn Qty | Wgt (lbs) | Cracking Pressure | Sealing (back) pressure required | Cv* Values | EPDM O-ring Kit | FKM O-ring Kit | SPRING | DISC | Hinge plugs and Locating Ears (Kit) |
|-------|----------|---------|---------|-----------|-------------------|----------------------------------|------------|-----------------|----------------|---------|---------|-------------------------------------|
| 2-1/2 | V27601N | V27602N | 1 | 0.40 | 0.5 psi | 0.02 psi | 98 | V27601NR | V27602NR | V27601S | V27601D | V27601H |
| 3 | V30601N | V30602N | 1 | 0.50 | 0.5 psi | 0.02 psi | 167 | V30601NR | V30602NR | V30601S | V30601D | V30601H |
| 4 | V40601N | V40602N | 1 | 0.80 | 0.5 psi | 0.02 psi | 281 | V40601NR | V40602NR | V40601S | V40601D | V40601H |
| 6 | V60601N | V60602N | 1 | 2.30 | 0.5 psi | 0.02 psi | 620 | V60601NR | V60602NR | V60601S | V60601D | V60601H |
| 8 | V80601N | V80602N | 1 | 4.45 | 0.5 psi | 2.00 psi | 1200 | V80601NR | V80602NR | V80601S | V80601D | V80601H |

* GPM of water at 1 psi pressure drop.

PART NUMBERS FOR CONTRACTOR KITS: INCLUDES WAFER CHECK VALVE, A SET OF PVC VAN-STONE (LOOSE-RING) FLANGES, AND A PROPERLY SIZED BOLT SET. ALL PACKED IN A HEAVY-DUTY CORRUGATED CARTON. ONE PART NUMBER ASSURES THAT ALL MATERIALS WILL ARRIVE AT THE JOBSITE.

| SIZE | PVC/EPDM WITH FLANGES & 304 SS BOLT SET | PVC/EPDM WITH FLANGES & GALV BOLT SET | PVC/FKM WITH FLANGES & 304 SS BOLT SET | PVC/FKM WITH FLANGES & GALV BOLT SET | Ctn Qty | Wgt (lbs) |
|-------|---|---------------------------------------|--|--------------------------------------|---------|-----------|
| 2-1/2 | KIT27601S | KIT27601G | KIT27602S | KIT27602G | 1 | 5.76 |
| 3 | KIT30601S | KIT30601G | KIT30602S | KIT30602G | 1 | 6.90 |
| 4 | KIT40601S | KIT40601G | KIT40602S | KIT40602G | 1 | 12.58 |
| 6 | KIT60601S | KIT60601G | KIT60602S | KIT60602G | 1 | 21.00 |
| 8 | KIT80601S | KIT80601G | KIT80602S | KIT80602G | 1 | 28.75 |



INSTALLATION PRECAUTIONS:

- Be sure to install with the Flow Arrow in the proper direction.
- Install all wafer check valves a minimum of 5 times the nominal pipe diameter downstream of pumps, elbows or valves.
- Do not use the valves without springs for pulsating applications.
- **Do not use with compressed air or gas.**

