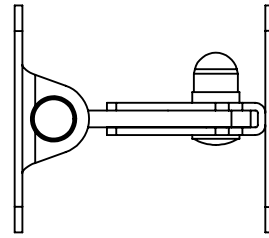
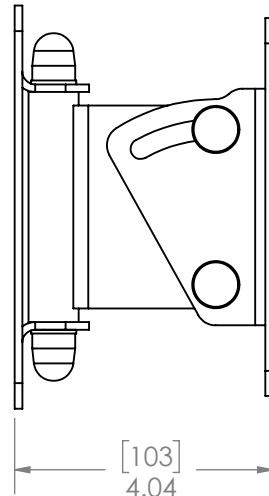


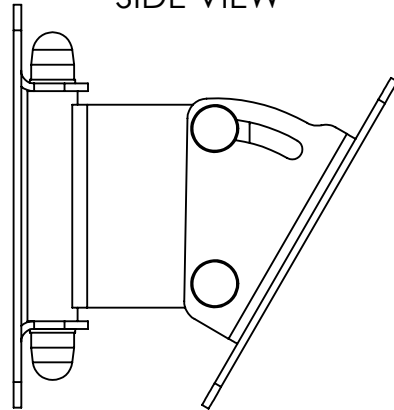
WALL MOUNT FLANGE



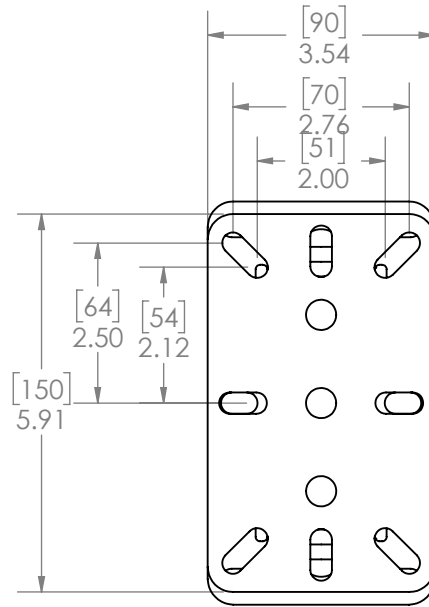
TOP VIEW



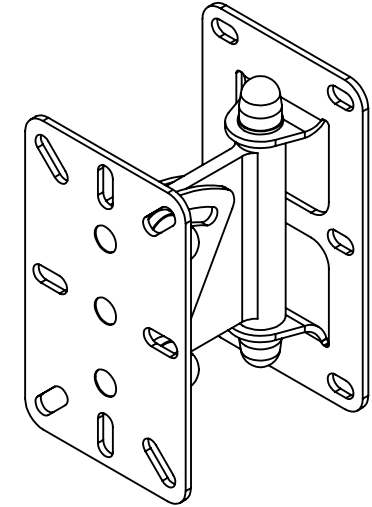
SIDE VIEW



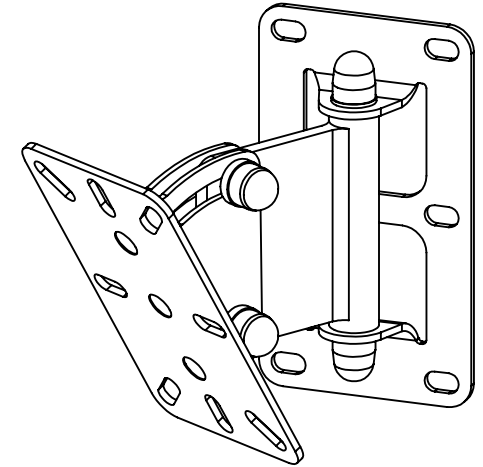
SIDE VIEW FULL 30° DOWN



LOUDSPEAKER MOUNT FLANGE



0 DOWN 0 ANGLE CONFIG



30 DOWN 30R ANGLE CONFIG

Maximum Load 45Lb ( 20.45 Kg)

**PROPRIETARY AND CONFIDENTIAL**  
 THE INFORMATION CONTAINED IN THIS DRAWING IS THE SOLE PROPERTY OF RMS-ACOUSTICS. ANY REPRODUCTION IN PART OR AS A WHOLE WITHOUT THE WRITTEN PERMISSION OF RMS-ACOUSTICS IS PROHIBITED.

DIMENSIONS ARE IN INCHES TOLERANCES: ±0.05 ANGULAR: ±0.1 BEND ±0.5	NAME	DATE
	DRAWN	RM
MATERIAL	CHECKED	
	File Name:	
FINISH		

**RMS**  
ACOUSTICS  
 13720 24TH ST E, UNIT E110  
 SUMNER, WA 98390  
 253-693-8569

SIZE	Project Name:	REV.
<b>A</b>	MEDIUM SWIVEL ANGLE BRACKET	<b>1</b>

Tuesday, September 17, 2019 2:09:12 PM