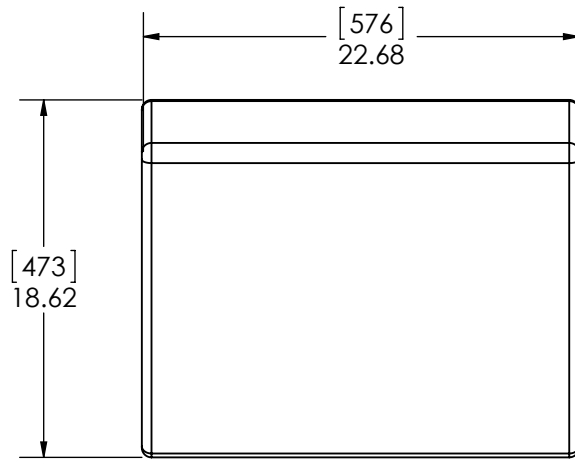
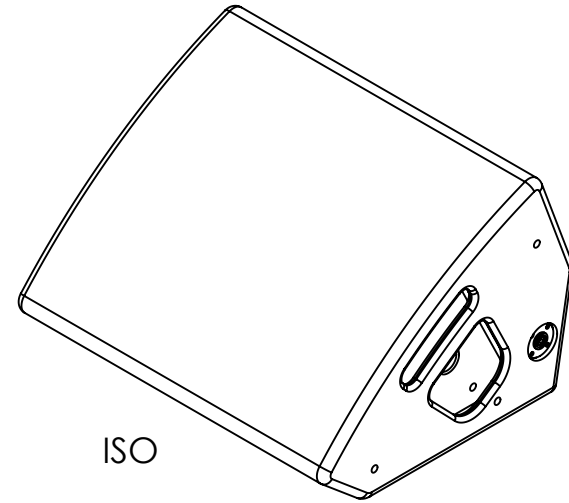


NET WEIGHT 49Lb 22.3kg

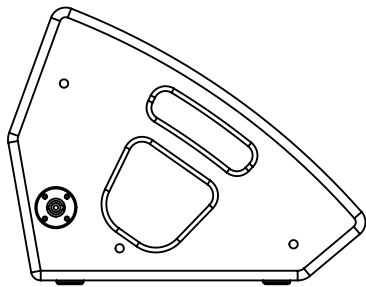
		REVISIONS			
ZONE	REV.	DESCRIPTION		DATE	APPROVED



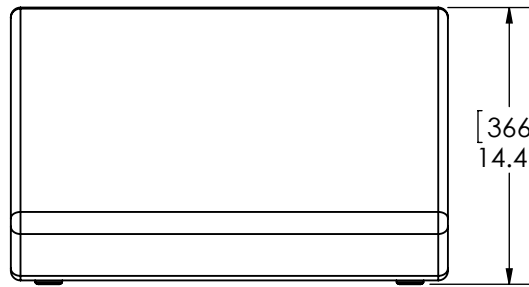
TOP



ISO

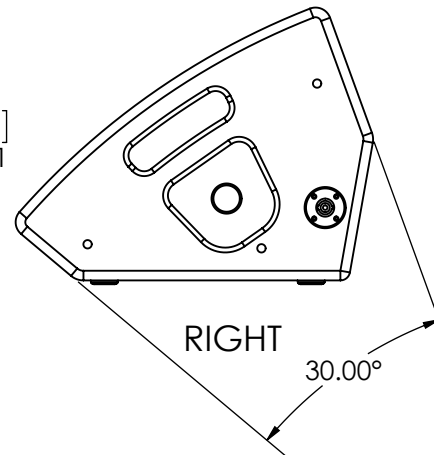


LEFT



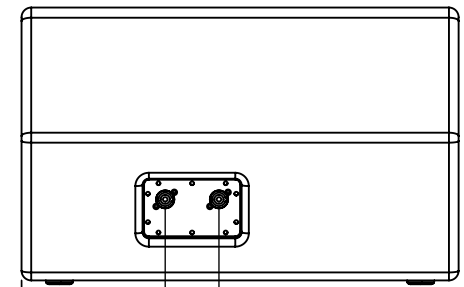
FRONT

[366]  
14.41



RIGHT

30.00°



REAR

[190]  
7.48

[261]  
10.28

**PROPRIETARY AND CONFIDENTIAL**  
THE INFORMATION CONTAINED IN THIS DRAWING IS THE SOLE PROPERTY OF RMS-ACOUSTICS. ANY REPRODUCTION IN PART OR AS A WHOLE WITHOUT THE WRITTEN PERMISSION OF RMS-ACOUSTICS IS PROHIBITED.

		DIMENSIONS ARE IN INCHES TOLERANCES: ±0.05 ANGULAR: ±0.1 BEND ±0.5		NAME	DATE
		MATERIAL		DRAWN	RM 3/19/2018
		FINISH		CHECKED	
NEXT ASSY	USED ON	File Name:			
APPLICATION					

**RMS**  
**ACOUSTICS**  
www.rms-acoustics.com  
SUMNER, WA USA  
253-693-8569

SIZE	Project Name:	REV.
<b>A</b>	M15X DIMENSIONAL	<b>1</b>
Wednesday, September 23, 2015 10:22:59 AM		