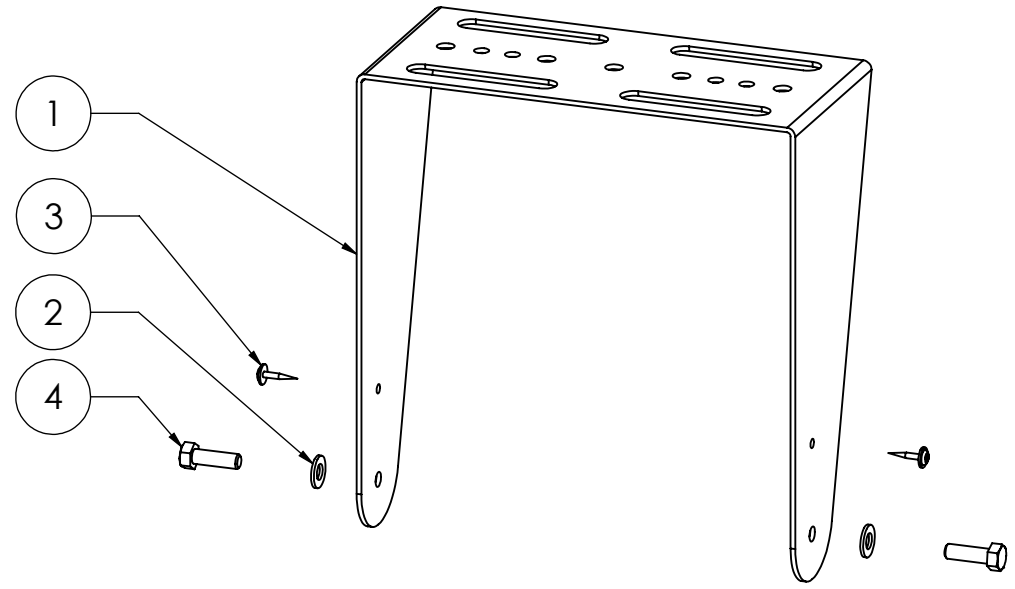
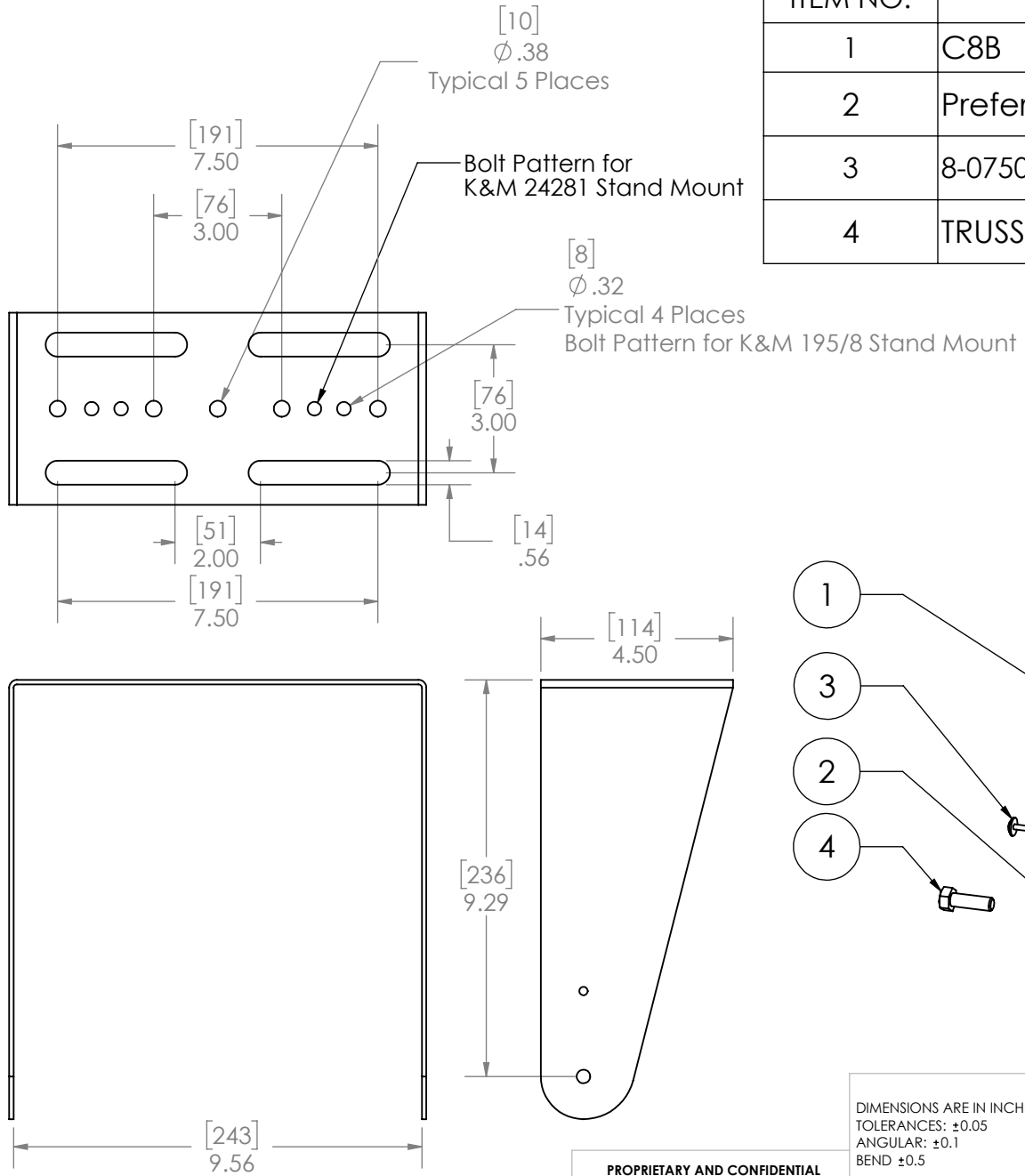


ITEM NO.	PART NUMBER	QTY.
1	C8B	1
2	Preferred Narrow FW 0.3125	2
3	8-0750 Washer Head Combi Drive BPHS	2
4	TRUSS SCREW 0516-18x1-SS-BO	2



PROPRIETARY AND CONFIDENTIAL
 THE INFORMATION CONTAINED IN THIS DRAWING IS THE SOLE PROPERTY OF RMS-ACOUSTICS. ANY REPRODUCTION IN PART OR AS A WHOLE WITHOUT THE WRITTEN PERMISSION OF RMS-ACOUSTICS IS PROHIBITED.

DIMENSIONS ARE IN INCHES TOLERANCES: ±0.05 ANGULAR: ±0.1 BEND ±0.5		NAME	DATE
DRAWN	RM	8/18/2020	
CHECKED			
MATERIAL		File Name:	
FINISH			

RMS ACOUSTICS
 13720 24TH ST E, UNIT E110
 SUMNER, WA 98390
 253-693-8569

SIZE	Project Name:	REV.
A	C8B Dimension Drawing And Assembly	1

Friday, September 27, 2019 12:28:33 PM