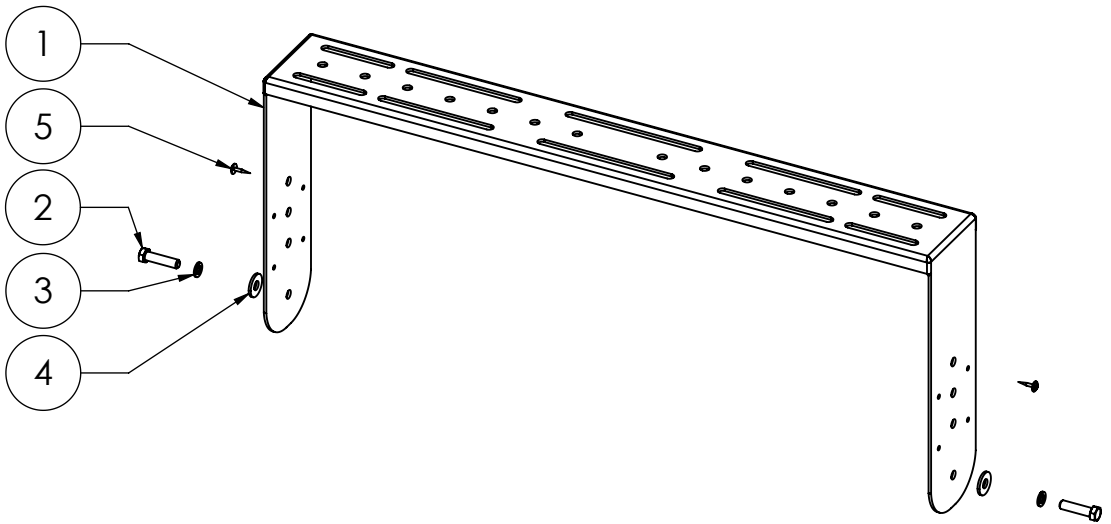
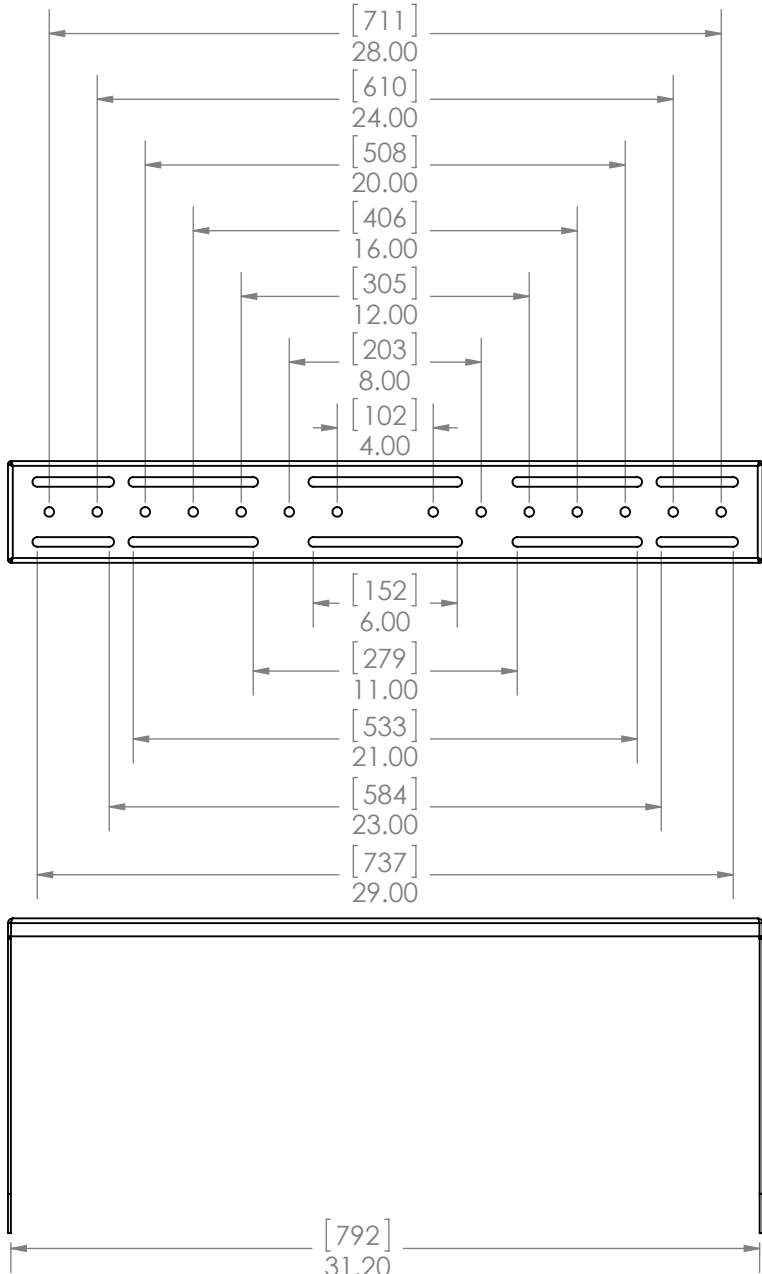


ITEM NO.	PART NUMBER	QTY.
1	C12XLHU	1
2	3-8-16 X 1500 Grade 8 Hex Hd Cap Screw Yellow Zinc	2
3	3-8 Lock Washer PFC9 Yellow Zinc	2
4	3-8 Flat Washer PFC9 Yellow Zinc	2
5	8-0750 Washer Head Combi Drive BPHS	2



**PROPRIETARY AND CONFIDENTIAL**  
 THE INFORMATION CONTAINED IN THIS DRAWING IS THE SOLE PROPERTY OF RMS-ACOUSTICS. ANY REPRODUCTION IN PART OR AS A WHOLE WITHOUT THE WRITTEN PERMISSION OF RMS-ACOUSTICS IS PROHIBITED.

DIMENSIONS ARE IN INCHES		NAME	DATE
TOLERANCES: ±0.05		DRAWN	RM 9/13/2019
ANGULAR: ±0.1		CHECKED	
BEND ±0.5			
MATERIAL		File Name:	
Cold Rolled Steel, 10 ga			
Optional T304SS for Extreme Weatherized			
FINISH			
Black Powder Coat, 10% Gloss. Optional White, or custom Color			
Extreme Weatherized must be High Gloss			

**RMS ACOUSTICS**  
 13720 24TH ST E, UNIT E110  
 SUMNER, WA 98390  
 253-693-8569

SIZE	Project Name:	REV.
<b>A</b>	C12XLHU ASSEMBLY	<b>1</b>

Friday, September 13, 2019 11:30:49 AM