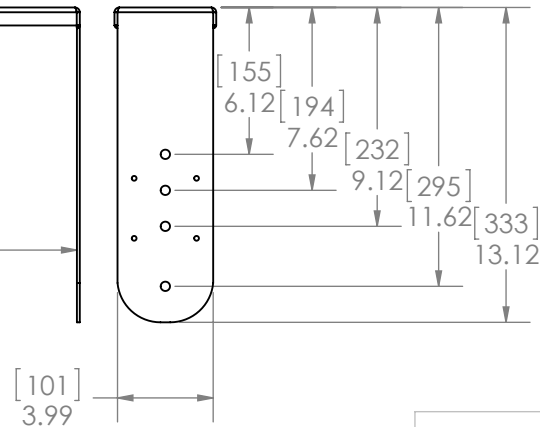
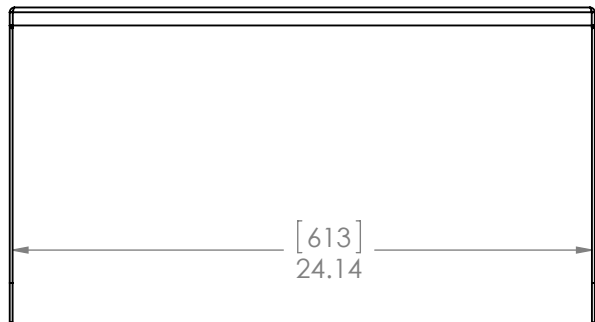
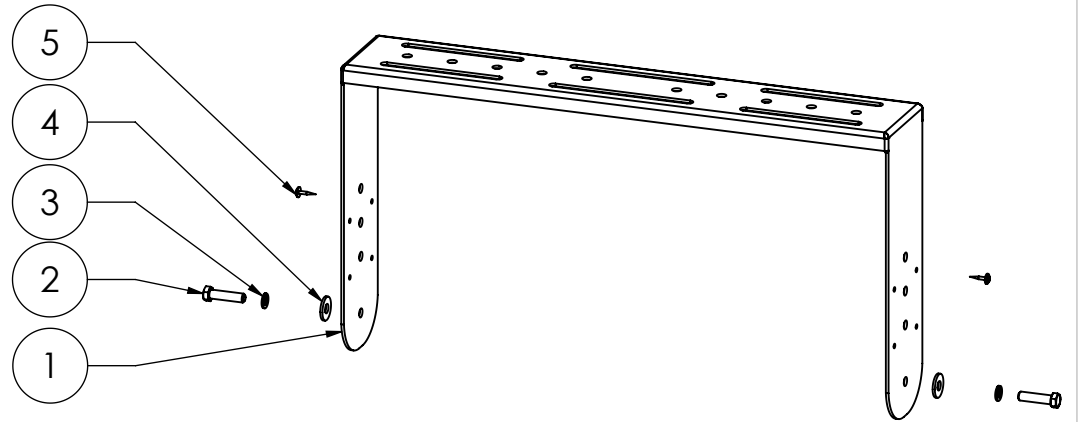


ITEM NO.	PART NUMBER	QTY.
1	C12HU	1
2	3-8-16 X 1500 Grade 8 Hex Hd Cap Screw Yellow Zinc	2
3	3-8 Lock Washer PFC9 Yellow Zinc	2
4	3-8 Flat Washer PFC9 Yellow Zinc	2
5	8-0750 Washer Head Combi Drive BPHS	2



**PROPRIETARY AND CONFIDENTIAL**  
 THE INFORMATION CONTAINED IN THIS DRAWING IS THE SOLE PROPERTY OF RMS-ACOUSTICS. ANY REPRODUCTION IN PART OR AS A WHOLE WITHOUT THE WRITTEN PERMISSION OF RMS-ACOUSTICS IS PROHIBITED.

DIMENSIONS ARE IN INCHES TOLERANCES: ±0.05 ANGULAR: ±0.1 BEND ±0.5		NAME	DATE
DRAWN	RM	9/18/2019	
CHECKED			
MATERIAL Cold Rolled Steel, 10 ga Optional T304SS for Extreme Weatherized		File Name:	
FINISH Black Powder Coat, 10% Gloss. Optional White, or custom Color Extreme Weatherized must be High Gloss			

**RMS**  
ACOUSTICS

13720 24TH ST E, UNIT E110  
SUMNER, WA 98390  
253-693-8569

SIZE	Project Name:	REV.
<b>A</b>	C12HU ASSEMBLY	<b>1</b>

Wednesday, September 18, 2019 5:32:44 PM