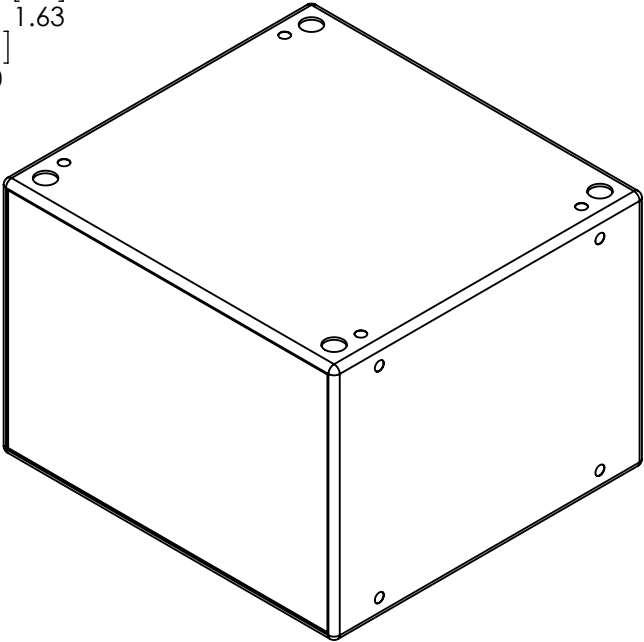
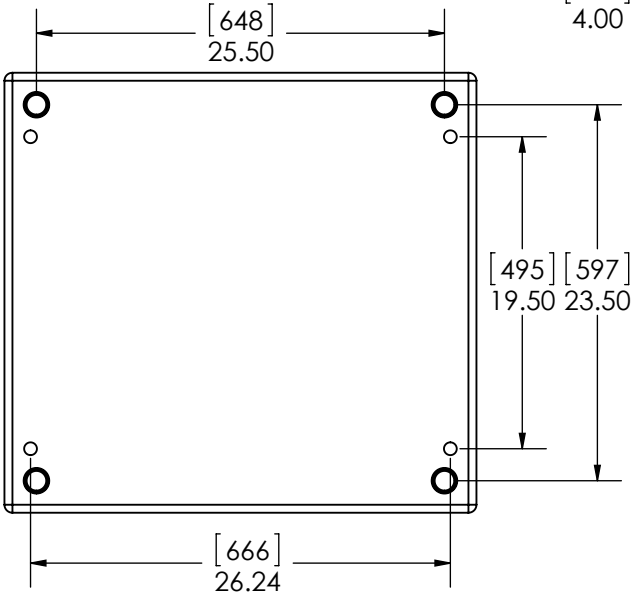
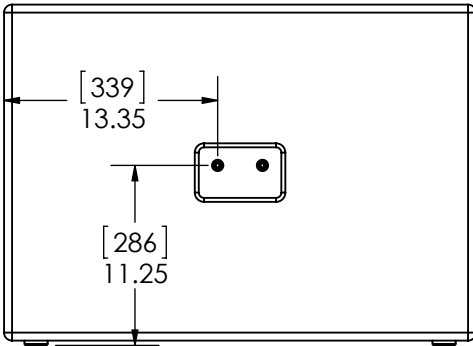
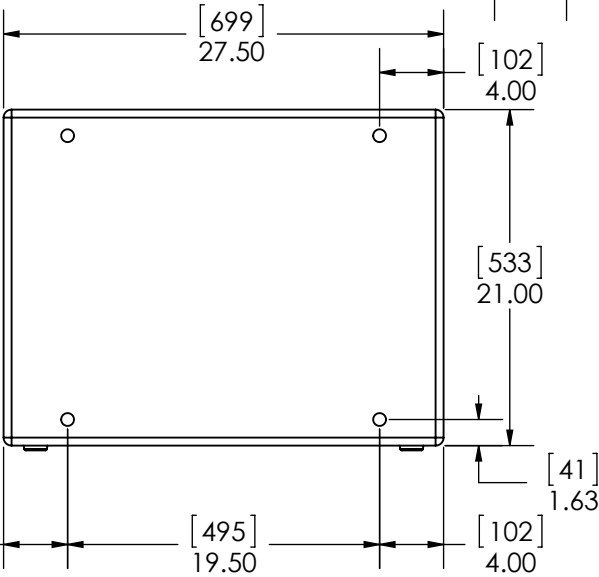
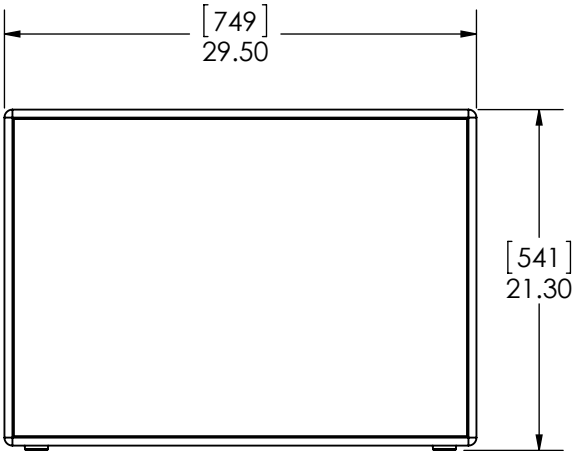


REVISIONS				
ZONE	REV.	DESCRIPTION	DATE	APPROVED



PROPRIETARY AND CONFIDENTIAL
 THE INFORMATION CONTAINED IN THIS DRAWING IS THE SOLE PROPERTY OF MCCAULEY SYSTEMS, LLC. ANY REPRODUCTION IN PART OR AS A WHOLE WITHOUT THE WRITTEN PERMISSION OF MCCAULEY SYSTEMS, LLC IS PROHIBITED.

DIMENSIONS ARE IN INCHES TOLERANCES: ±0.05 ANGULAR: ±0.1 BEND ±0.5		NAME	DATE
MATERIAL		DRAWN	RM 5/11/2016
NEXT ASSY		CHECKED	
USED ON		File Name:	
APPLICATION		FINISH	

MCCAULEY SYSTEMS
 15015 95th Ave E
 Puyallup, WA 98375
 253-693-8569

Project Name: **M118i**

SIZE **A** REV. **1**

Wednesday, May 11, 2016 12:51:11 PM