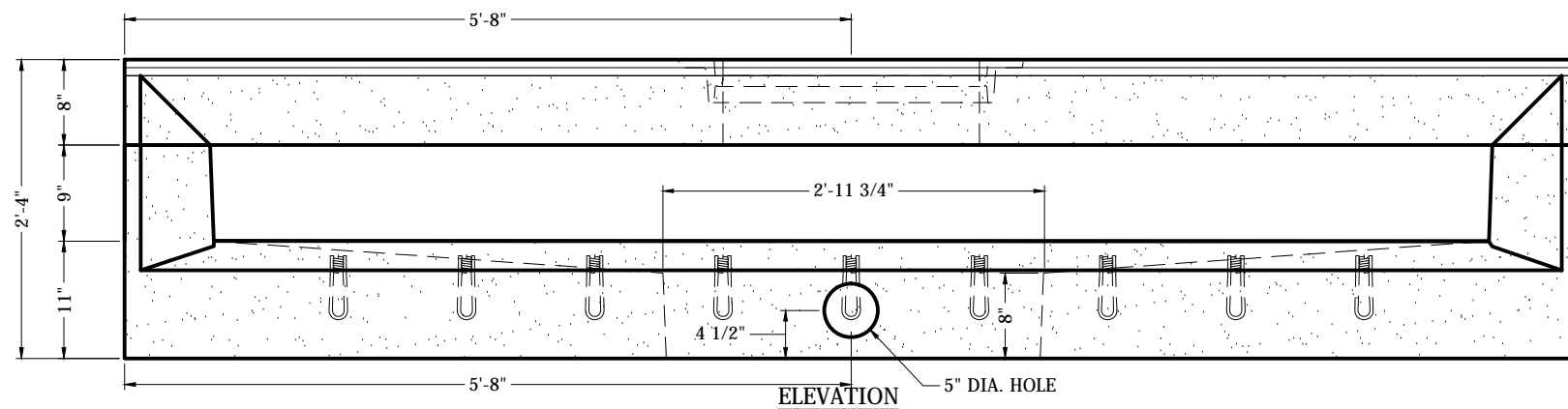
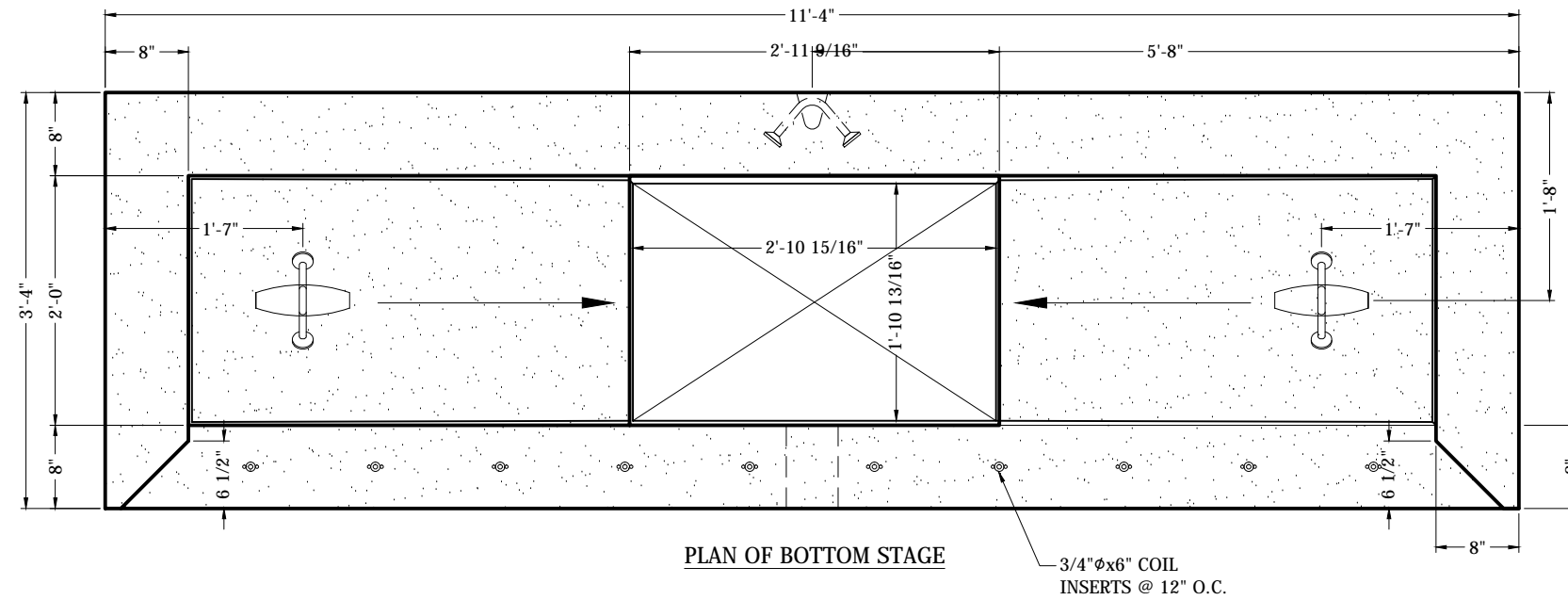


3D ISOMETRIC



Drawing Title:

KENTUCKY CURB BOX INLET TYPE "A"
(CENTER PHASE)

VANHOSECO PRECAST, LLC
244 BLAIR BEND DRIVE
LOUDON, TN 37774
Tel: (865) 458-3998



Drawn By: ART

Checked By: ART

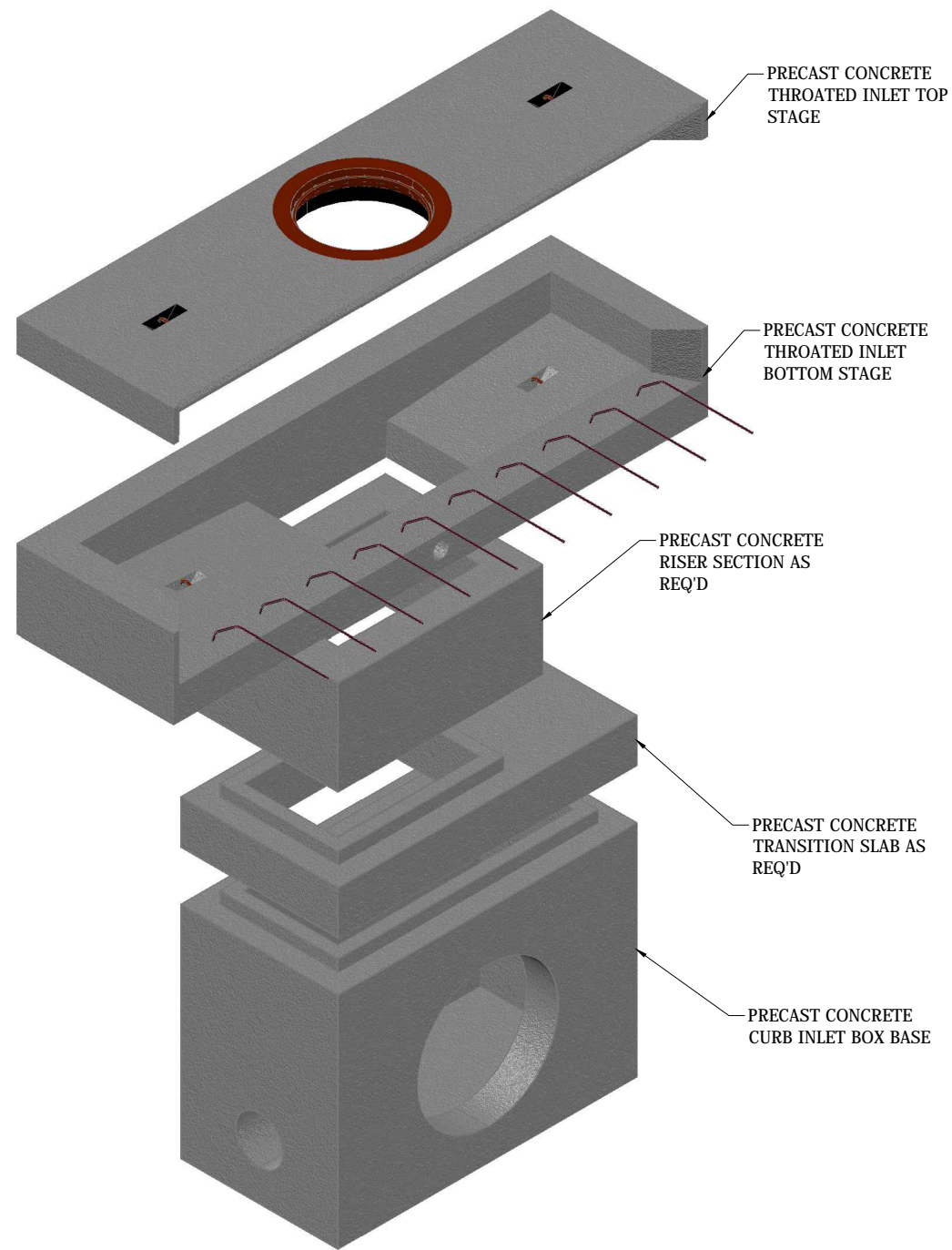
Project Number: ---

SHEET 1 OF 4

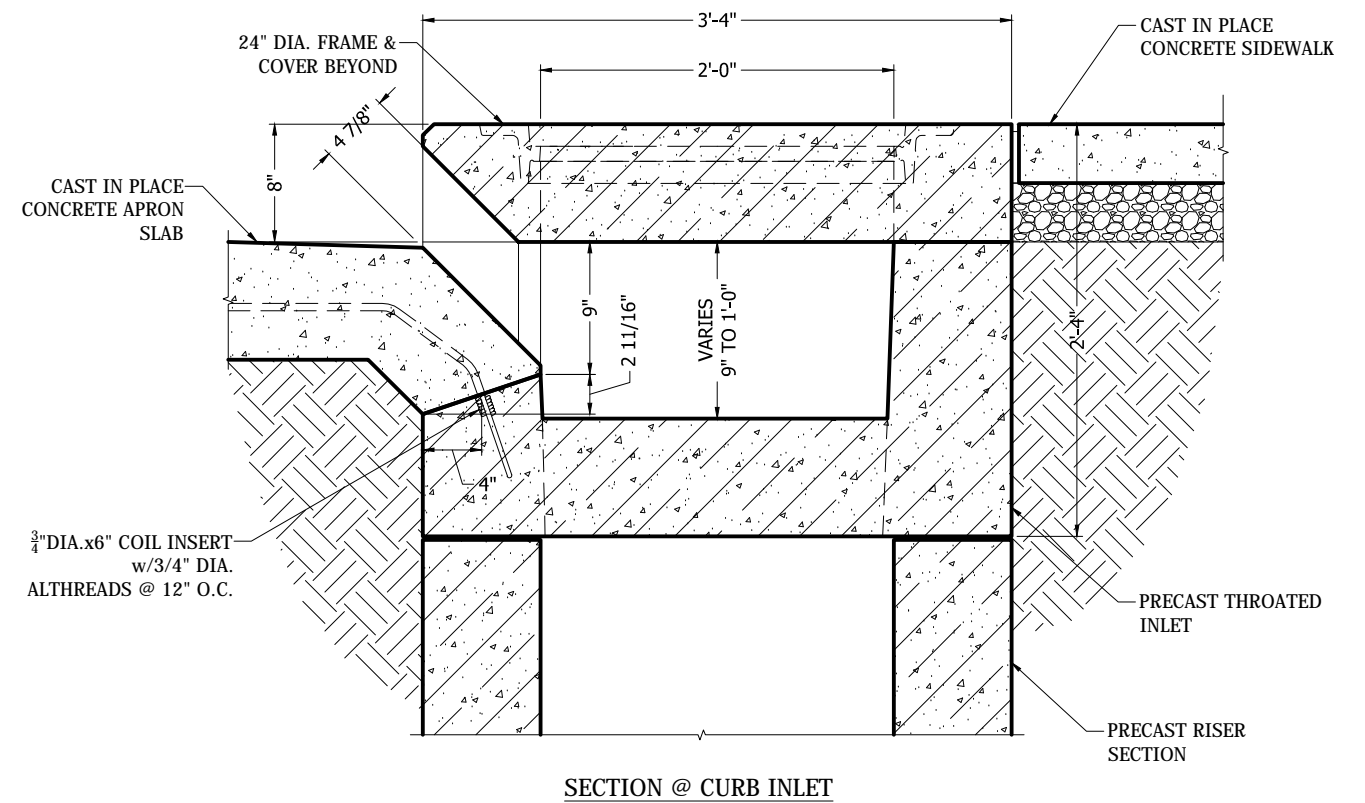
DATE: 05/23/16

Drawing Number: KY-TI-03

REV.	DATE	DESCRIPTION
1	8/1/16	CHANGED LIFTING DEVICES IN TOP SECTION



3D ISOMETRIC



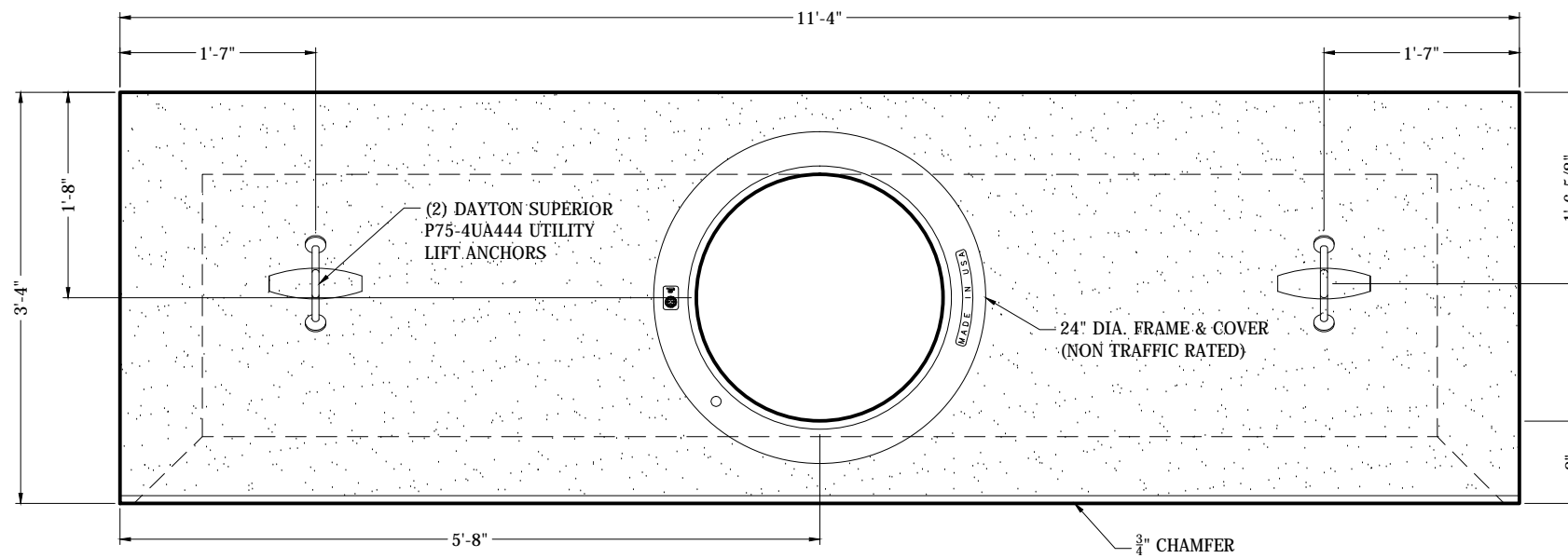
Drawing Title:
KENTUCKY CURB BOX INLET TYPE "A"
 (CENTER PHASE)

VANHOSECO PRECAST, LLC
 244 BLAIR BEND DRIVE
 LOUDON, TN 37774
 Tel: (865) 458-3998



REV.	DATE	DESCRIPTION
1	8/1/16	CHANGED LIFTING DEVICES IN TOP SECTION

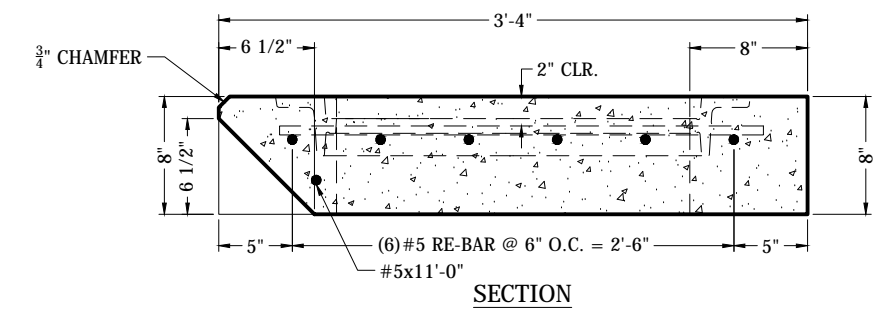
Drawn By: ART	Checked By: ART	Project Number: ---
SHEET 2 OF 4	DATE: 05/23/16	Drawing Number: KY-TI-03



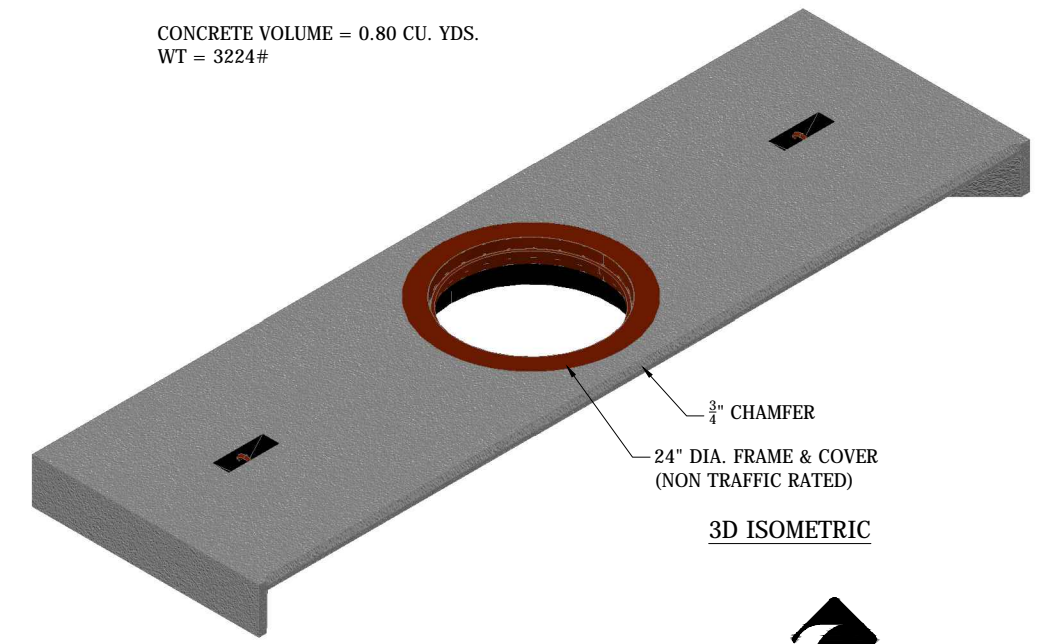
PLAN OF TOP STAGE

NOTE: PLASTIC LIFTING RECESS
PLUG MUST BE REMOVED & RECESS
FILLED WITH GROUT AFTER
SETTING (NOT BY VANHOUSECO)

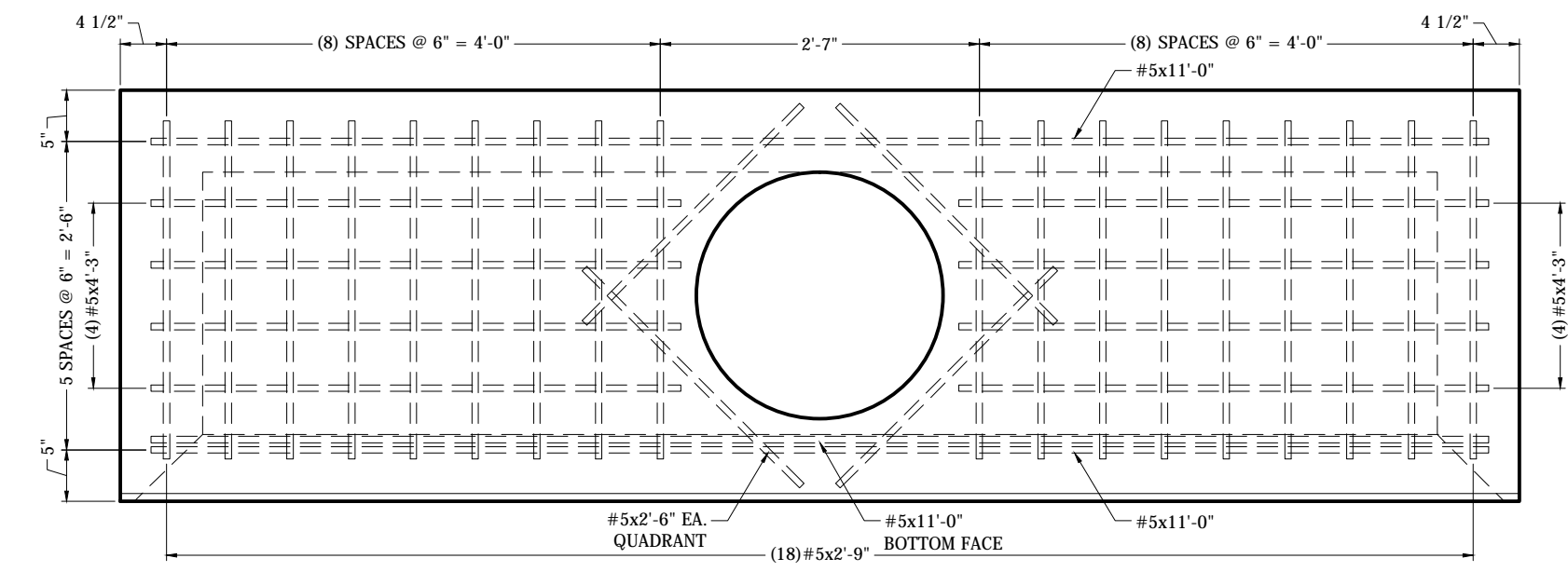
- NOTES:
1. Design is in accordance with ASTM C913, latest edition.
 2. Design Live Load = 300 PSF.
 3. All reinforcing steel to be ASTM A615, Grade 60.
 4. All concrete to be $f'c = 5000$ psi @ 28 days.



CONCRETE VOLUME = 0.80 CU. YDS.
WT = 3224#



3D ISOMETRIC



REINFORCING PLAN

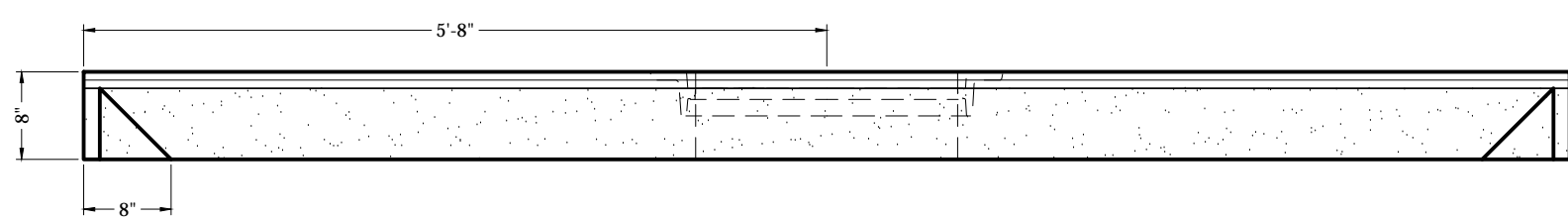
REINFORCING SCHEDULE		
SIZE	QUANTITY	LENGTH (IN.)
#5	3	11'-0"
#5	8	4'-3"
#5	18	2'-9"
#5	4	2'-6"

Drawing Title:
KENTUCKY CURB BOX INLET TYPE "A"
(CENTER PHASE)

VANHOUSECO PRECAST, LLC
244 BLAIR BEND DRIVE
LOUDON, TN 37774
Tel: (865) 458-3998



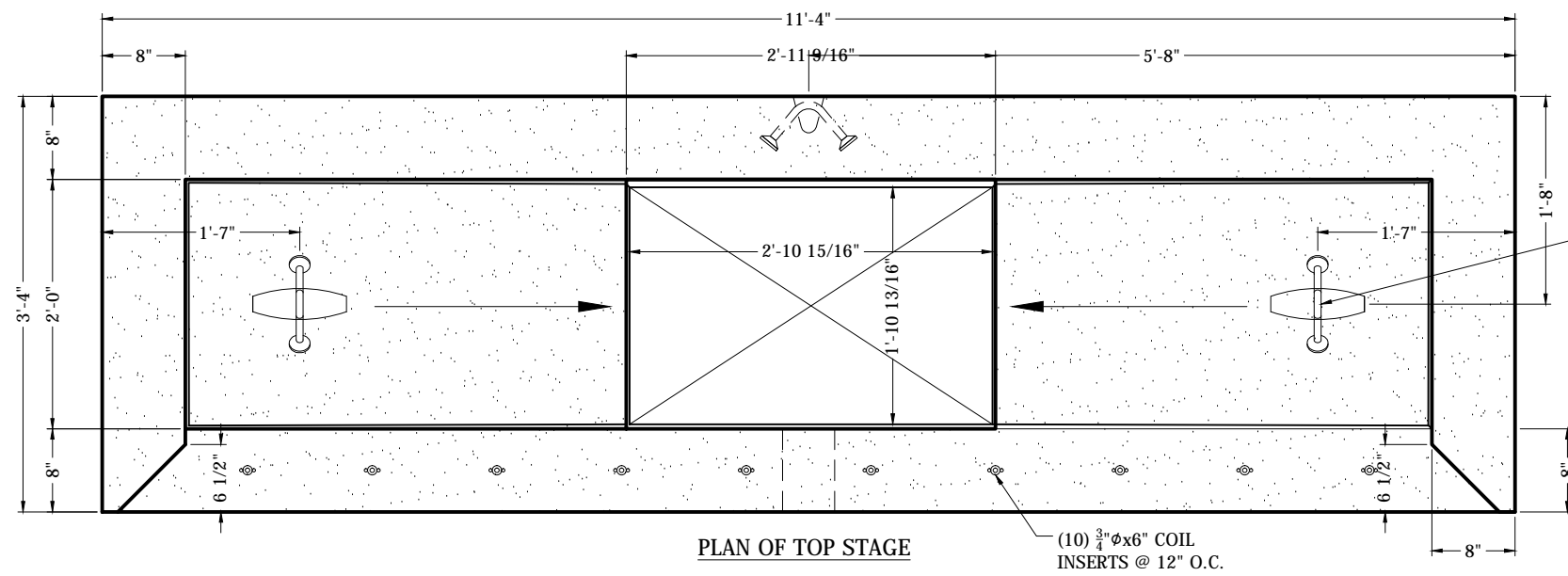
Drawn By: ART	Checked By: ART	Project Number: ---
SHEET 3 OF 4	DATE: 05/23/16	Drawing Number: KY-TI-03



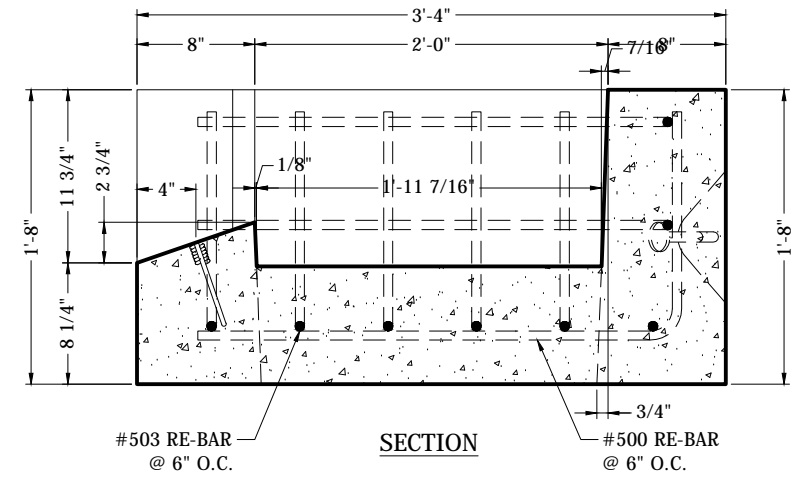
ELEVATION

REV.	DATE	DESCRIPTION
1	8/1/16	CHANGED LIFTING DEVICES

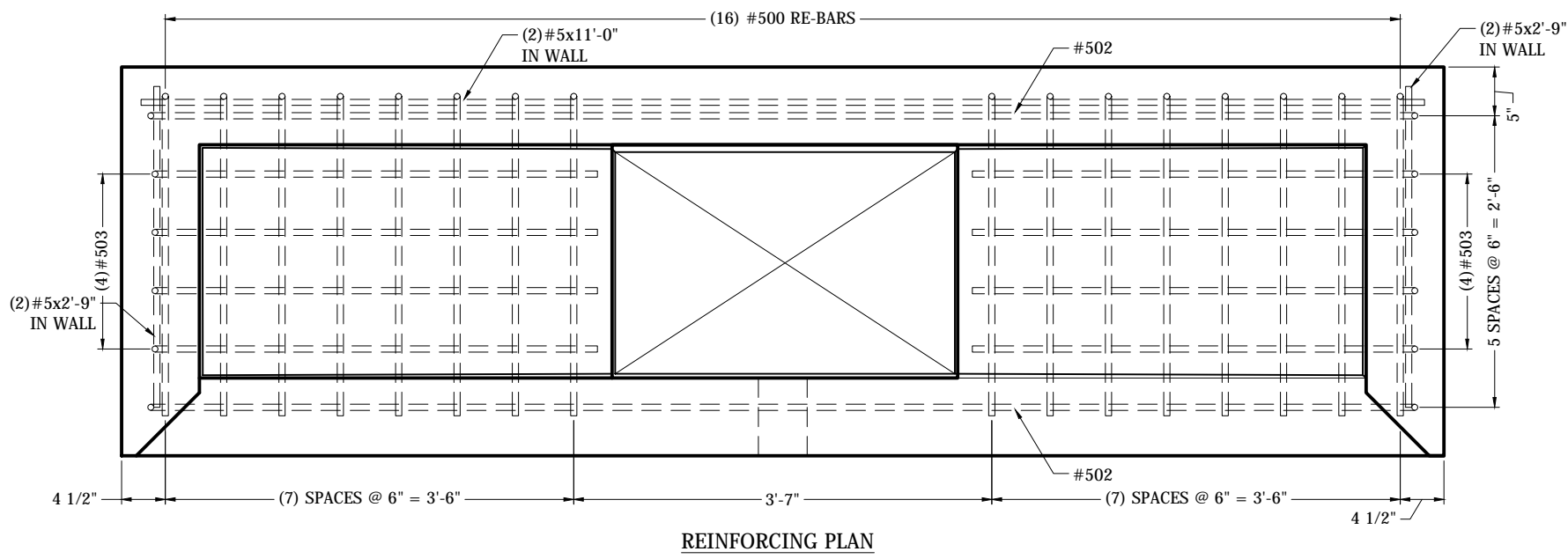
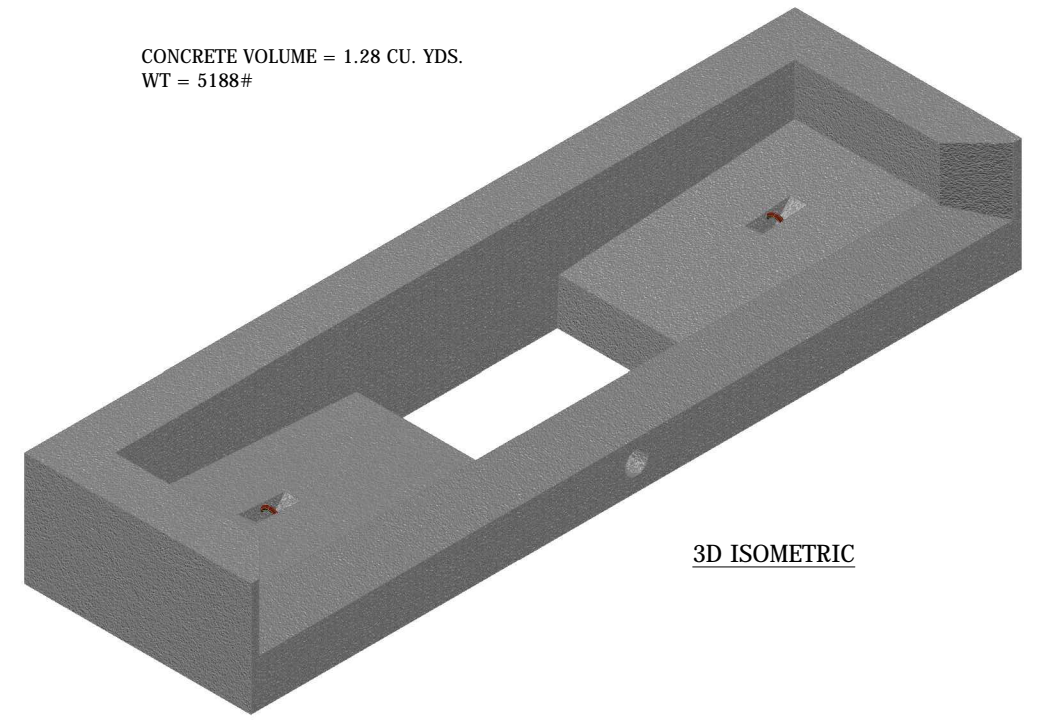




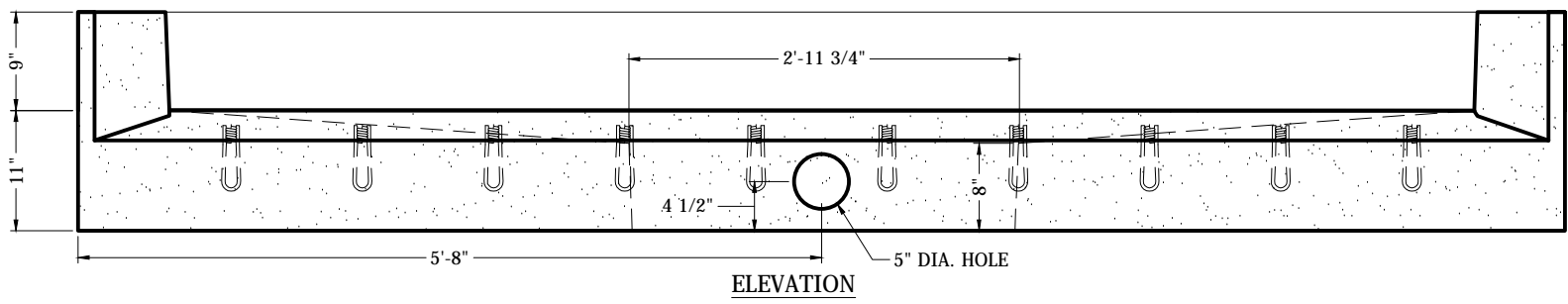
- NOTES:
- Design is in accordance with ASTM C913, latest edition.
 - Design Live Load = 300 PSF.
 - All reinforcing steel to be ASTM A615, Grade 60.
 - All concrete to be $f_c = 5000$ psi @ 28 days.



CONCRETE VOLUME = 1.28 CU. YDS.
WT = 5188#



REINFORCING SCHEDULE		
SIZE	QUANTITY	LENGTH (IN.)
#5	16	#500
#5	2	#502
#5	8	#503
#5	2	11'-0"
#5	4	2'-9"



Drawing Title:
KENTUCKY CURB BOX INLET TYPE "A"
(CENTER PHASE)

VANHOSECO PRECAST, LLC
244 BLAIR BEND DRIVE
LOUDON, TN 37774
Tel: (865) 458-3998



Drawn By: ART	Checked By: ART	Project Number: ---
SHEET 4 OF 4	DATE: 05/23/16	Drawing Number: KY-TI-03