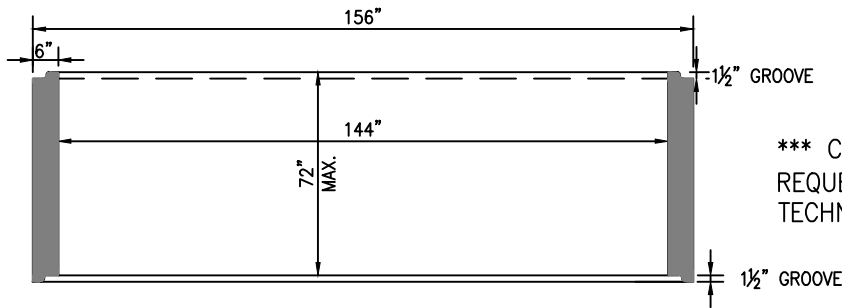


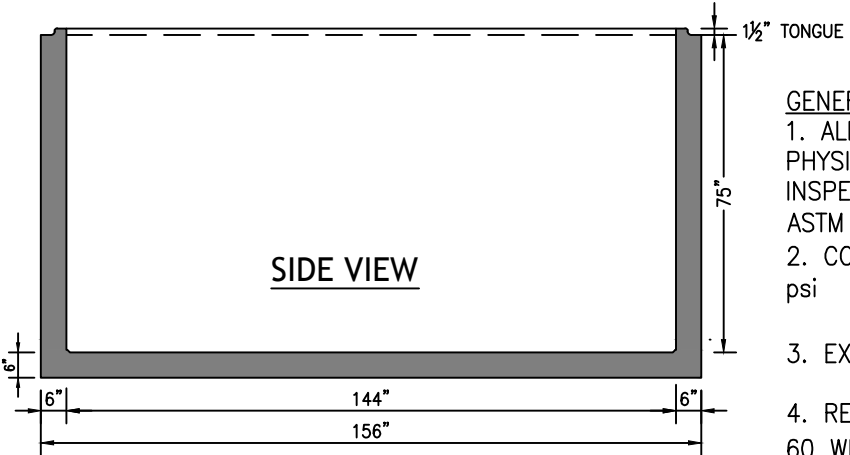
PLAN VIEW



*** CUSTOM PRODUCT SIZES ARE AVAILABLE UPON REQUEST. PLEASE CALL (865) 458-3998 FOR A TECHNICAL SERVICE REPRESENTATIVE.



NPCA
CERTIFIED PLANT



SIDE VIEW

GENERAL NOTES:

1. ALL MATERIAL, DESIGN, MANUFACTURE, PHYSICAL TEST REQUIREMENTS, FINISH MARKING, INSPECTION, REJECTION AND REPAIRS TO MEET ASTM C913, C857, AND C890 (CURRENT EDITIONS)
2. CONCRETE STRENGTH: $f'c$ @ 28 Days = 5,000 psi
3. EXPOSED EDGES HAVE A $\frac{3}{4}$ " CHAMFER
4. REINFORCING STEEL MEETS ASTM A-615, GRADE 60 WITH $1\frac{1}{2}$ " MINIMUM CONCRETE COVER.

VANHOSECO PRECAST, LLC
 244 BLAIR BEND DRIVE
 LOUDON, TN 37774
 Tel: (865) 458-3998

VANHOSECO

72"x144" CATCH BASIN

SCALE: 3/8" = 1'-0"