

TOP LID

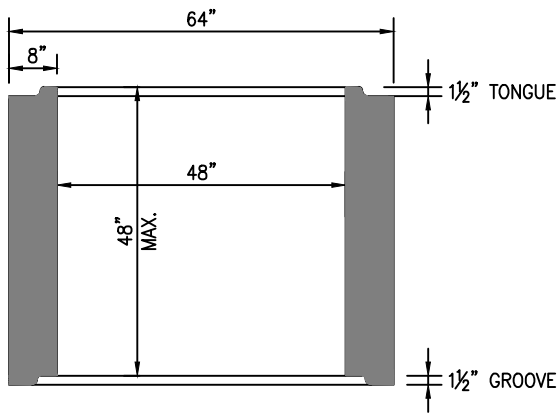
| HEIGHT (IN.) | WEIGHT (LB.) |
|--------------|--------------|
| 8 | 2844.4 |

RISER WEIGHT

| HEIGHT (IN.) | WEIGHT (LB.) |
|--------------|--------------|
| 10 | 1556 |
| 24 | 3733 |
| 30 | 4667 |
| 36 | 5600 |
| 42 | 6533 |
| 48 | 7467 |

BASE WEIGHT

| HEIGHT (IN.) | WEIGHT (LB.) |
|--------------|--------------|
| 24 | 6578 |
| 30 | 7511 |
| 36 | 8444 |
| 42 | 9378 |
| 48 | 10,311 |
| 64 | 12,800 |



*** CUSTOM PRODUCT SIZES ARE AVAILABLE UPON REQUEST. PLEASE CALL (865) 458-3998 FOR A TECHNICAL SERVICE REPRESENTATIVE.

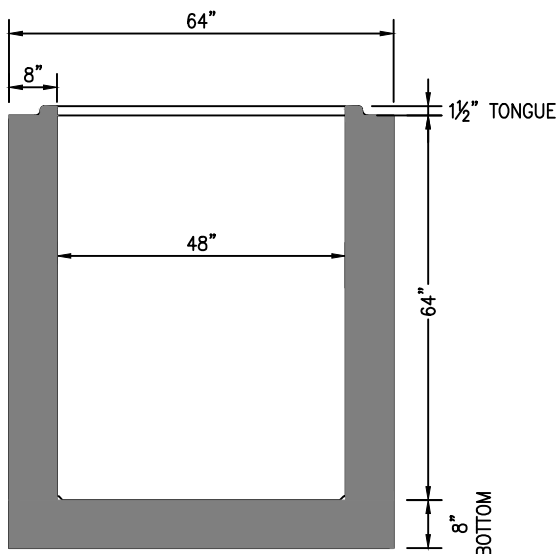


NPCA

CERTIFIED PLANT

GENERAL NOTES:

1. ALL MATERIAL, DESIGN, MANUFACTURE, PHYSICAL TEST REQUIREMENTS, FINISH MARKING, INSPECTION, REJECTION AND REPAIRS TO MEET ASTM C913, C857, AND C890 (CURRENT EDITIONS)
2. CONCRETE STRENGTH: $f'c$ @ 28 Days = 5,000 psi
3. EXPOSED EDGES HAVE A $\frac{3}{4}$ " CHAMFER
4. REINFORCING STEEL MEETS ASTM A-615, GRADE 60 WITH $\frac{1}{2}$ " MINIMUM CONCRETE COVER.



VANHOSECO PRECAST, LLC

244 BLAIR BEND DRIVE
LOUDON, TN 37774
Tel: (865) 458-3998



48"x48" CATCH BASIN

SCALE: 3/8" = 1'-0"

CB2