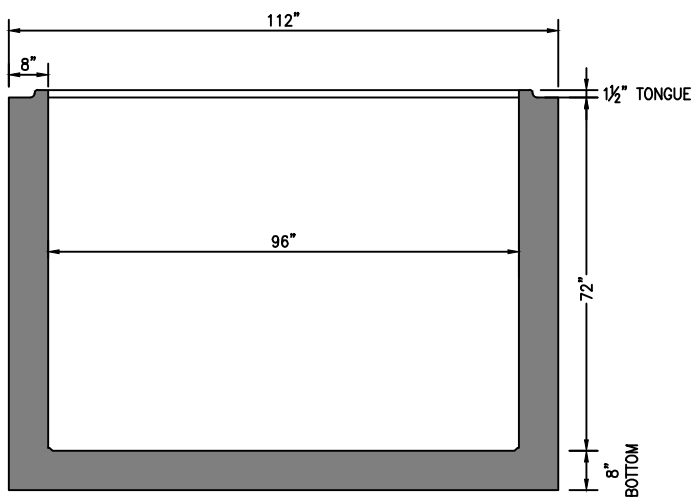
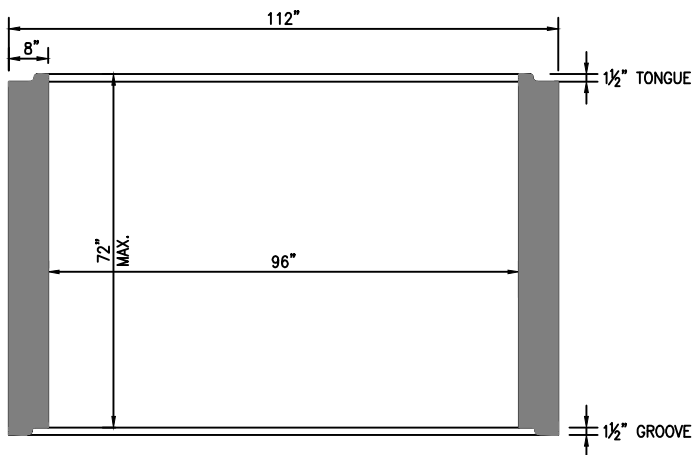
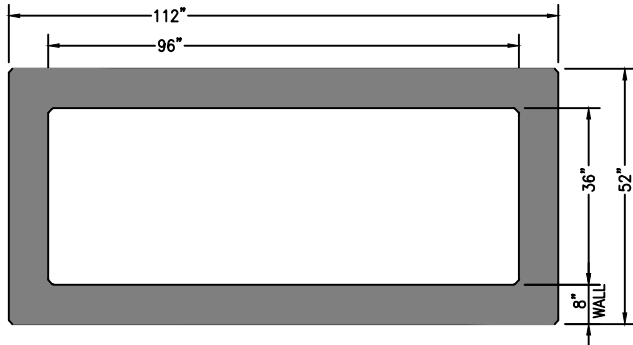




**NPCA**  
CERTIFIED PLANT



TOP LID

HEIGHT (IN.)	WEIGHT (LB.)
8	4044.4

RISER WEIGHT

HEIGHT (IN.)	WEIGHT (LB.)
10	2056
24	4933
30	6167
36	7400
42	8633
48	9867
64	13,136
72	14,800

BASE WEIGHT

HEIGHT (IN.)	WEIGHT (LB.)
24	8978
30	10,211
36	11,444
42	12,678
48	13,911
64	18,844

\*\*\* CUSTOM PRODUCT SIZES ARE AVAILABLE UPON REQUEST. PLEASE CALL (865) 458-3998 FOR A TECHNICAL SERVICE REPRESENTATIVE.

GENERAL NOTES:

1. ALL MATERIAL, DESIGN, MANUFACTURE, PHYSICAL TEST REQUIREMENTS, FINISH MARKING, INSPECTION, REJECTION AND REPAIRS TO MEET ASTM C913, C857, AND C890 (CURRENT EDITIONS)
2. CONCRETE STRENGTH:  $f'_c$  @ 28 Days = 5,000 psi
3. EXPOSED EDGES HAVE A  $\frac{3}{4}$ " CHAMFER
4. REINFORCING STEEL MEETS ASTM A-615, GRADE 60 WITH 1" MINIMUM CONCRETE COVER.

36"x96" CATCH BASIN

SCALE: 3/8" = 1'-0"

CB3

**VANHOSECO PRECAST, LLC**

244 BLAIR BEND DRIVE  
LOUDON, TN 37774  
Tel: (865) 458-3998

