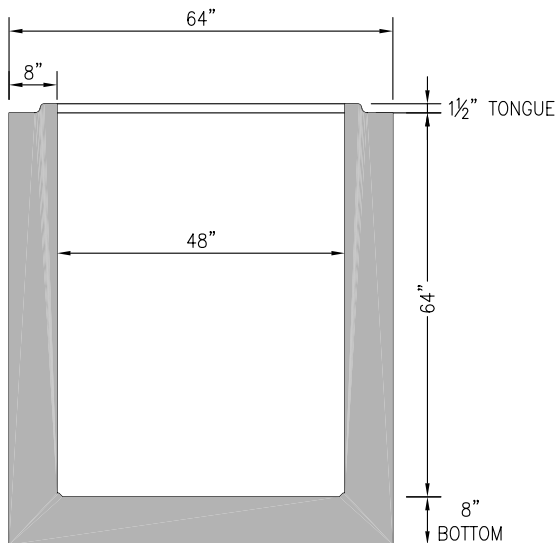
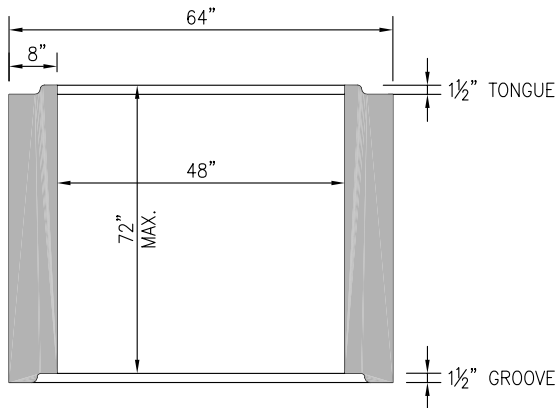


PLAN VIEW



TOP LID

HEIGHT (IN.)	WEIGHT (LB.)
8	2311.1

RISER WEIGHT

HEIGHT (IN.)	WEIGHT (LB.)
10	1389
24	3333
30	4167
36	5000
42	5833
48	6667

BASE WEIGHT

HEIGHT (IN.)	WEIGHT (LB.)
24	5644
30	6478
36	7311
42	8144
48	8978
64	11200

*** CUSTOM PRODUCT SIZES ARE AVAILABLE UPON REQUEST. PLEASE CALL (865) 458-3998 FOR A TECHNICAL SERVICE REPRESENTATIVE.

GENERAL NOTES:

1. ALL MATERIAL, DESIGN, MANUFACTURE, PHYSICAL TEST REQUIREMENTS, FINISH MARKING, INSPECTION, REJECTION AND REPAIRS TO MEET ASTM'S C913, C857, AND C890 (CURRENT EDITIONS)
2. CONCRETE STRENGTH: f'_c @ 28 Days = 5,000 psi
3. EXPOSED EDGES HAVE A $\frac{3}{4}$ " CHAMFER
4. REINFORCING STEEL MEETS ASTM A-615, GRADE 60 WITH 1" MINIMUM CONCRETE COVER.

VANHOSECO PRECAST, LLC

244 BLAIR BEND DRIVE
LOUDON, TN 37774
Tel: (865) 458-3998



48"x36" CATCH BASIN

SCALE: 3/8" = 1'-0"

CB4