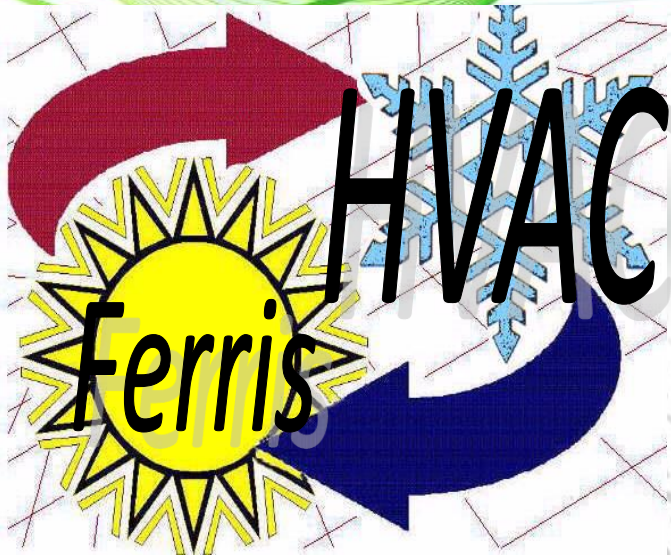


ASHRAE DL Presentation

Hydronic Systems: Doing More with Less



Douglas F Zentz
Associate Professor
HVAC Program
Ferris State University

Reminders

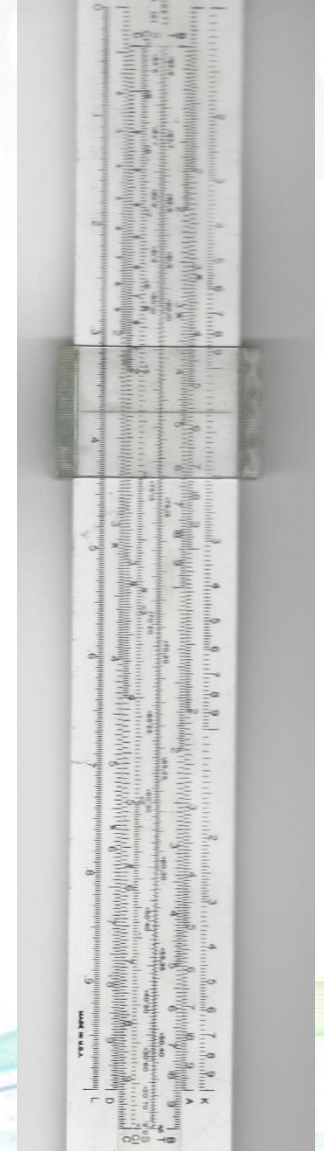
- **Cell phones – please silence**
- **Commercialism – ASHRAE observance!**
- **Please fill out the surveys**
- **My views and not ASHRAE's**

Learning Objectives

- For water based systems to illustrate how water flow and water delta are directly related to overall heat transfer
- To illustrate that lower overall water flow results in a potential combination of smaller water pipes and/or smaller friction rates for the piping system
- To illustrate how higher water delta can help the operation of hydronic control valves and the control valve selection
- To illustrate how low flow/high delta water systems can help reduce first costs of a given project
- To illustrate how heat exchangers in general can easily work with high delta designs if the delta is properly adjusted to existing systems

Introduction

- Water use for Energy Transfer is very common in Commercial and Industrial Heat Transfer
- Many systems used today are similar to those designed 70-60 years ago
 - Chilled water cooling with a 10 F delta
 - Cooling tower heat rejection with a 10 F delta
 - Hot water heating with a 20 F delta
- These were designed using what (?)



Review of Heat Transfer

Understanding the elements that drive energy flow

– Variables involved

- **Fluid Flow** (gpm)
- **Temperature Delta** (difference between entering and leaving)

– Equation for Energy Flow in Heat Transfer for Water

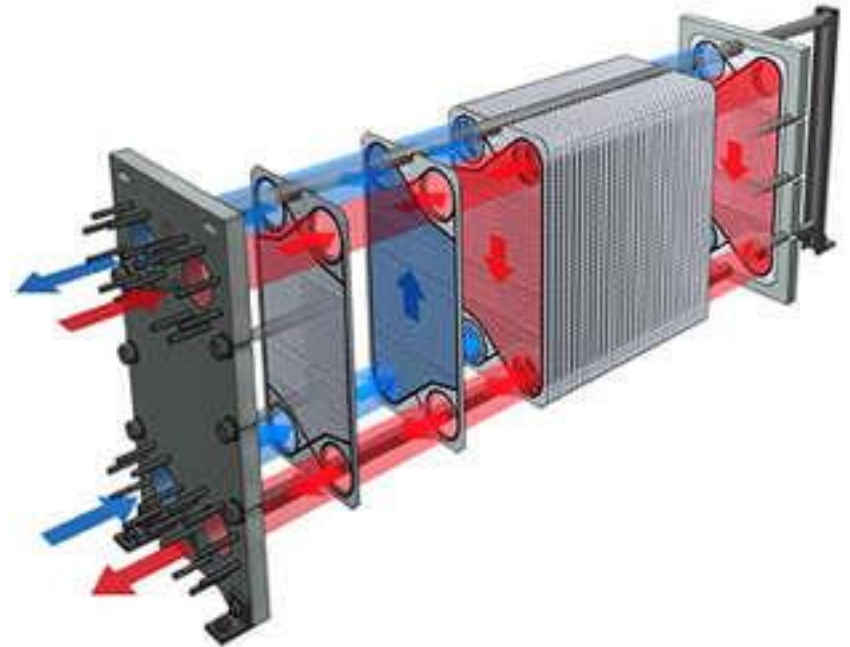
- **$Q = 500 \times \text{GPM} \times (\text{Temperature 2} - \text{Temperature 1})$**

Understanding History

- Slide Rule Engineering
 - 10 F delta water systems
 - $Q = 500 \times \text{GPM} \times 10$ or $\text{GPM} = Q/5000$
 - For Chilled Water = 2.4 GPM/Ton
 - For Cooling Towers = 3 GPM/Ton (approximately)
 - For Heating Water = 1 GPM/10,000 Btuh or 1 GPM/10 MBH (for 20 F delta systems)
- Delta and Flow are directly linked

Looking at Heat Exchangers

- Fluids within Heat Exchangers are Dynamic
 - LMTD is used
 - Changing the entering and leaving the same results in the same heat transfer
 - 10 F going to 20 F
 - Change both entering and leaving temperatures 5 F
 - Thus – same heat transfer with less flow



Water Flow vs Heat Flow

- Water Systems with smaller design deltas require large reductions in fluid flow to reduce Heat Flow
 - 90% reduced fluid flow to get 50% reduced heat flow

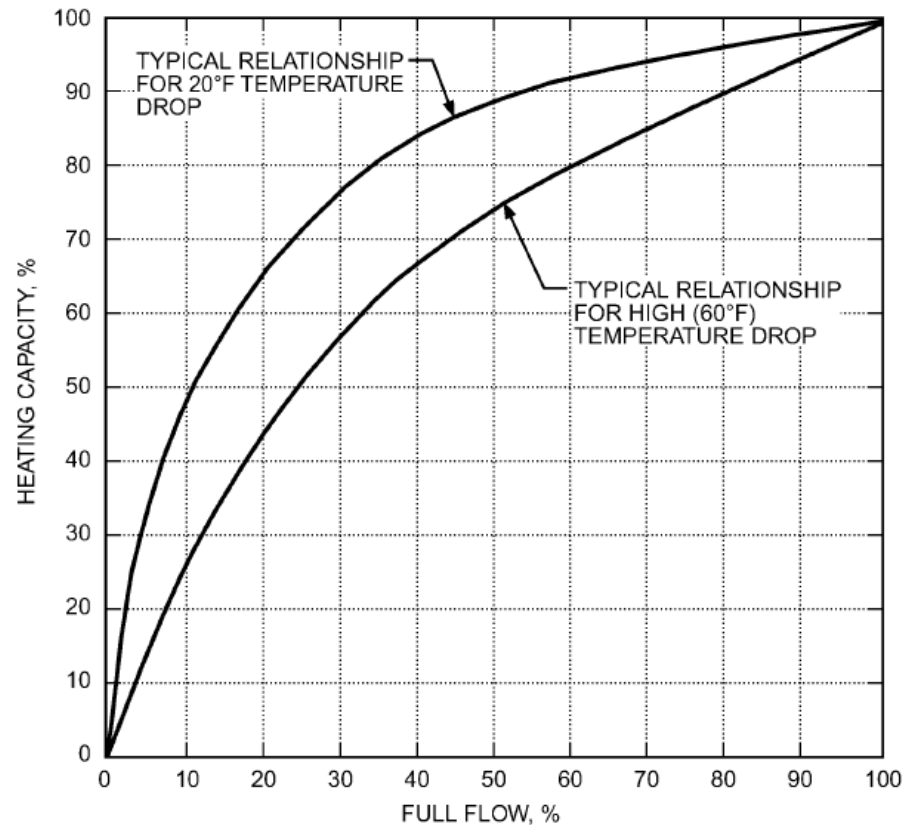


Fig. 32 Heat Emission Versus Flow Characteristic of Typical Hot Water Heating Coil

Control Valves

- Open-Close (quick opening)
- 3-Way Mixing & 3-Way Diverting (linear)
- 2-way Flow Control (equal percentage)

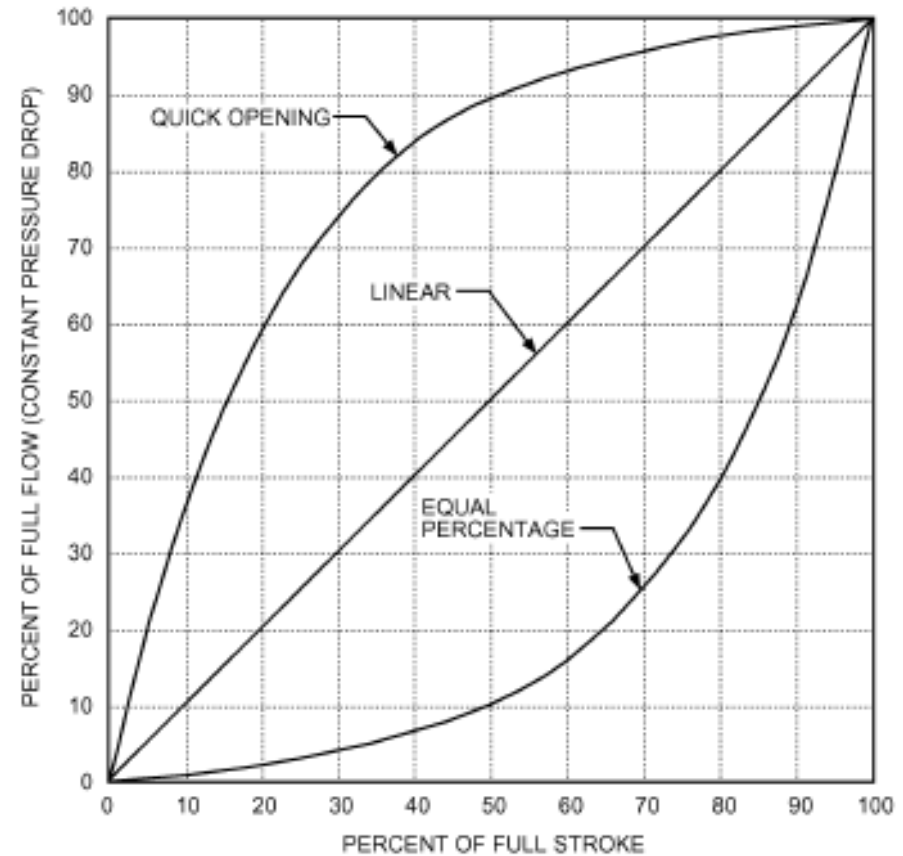
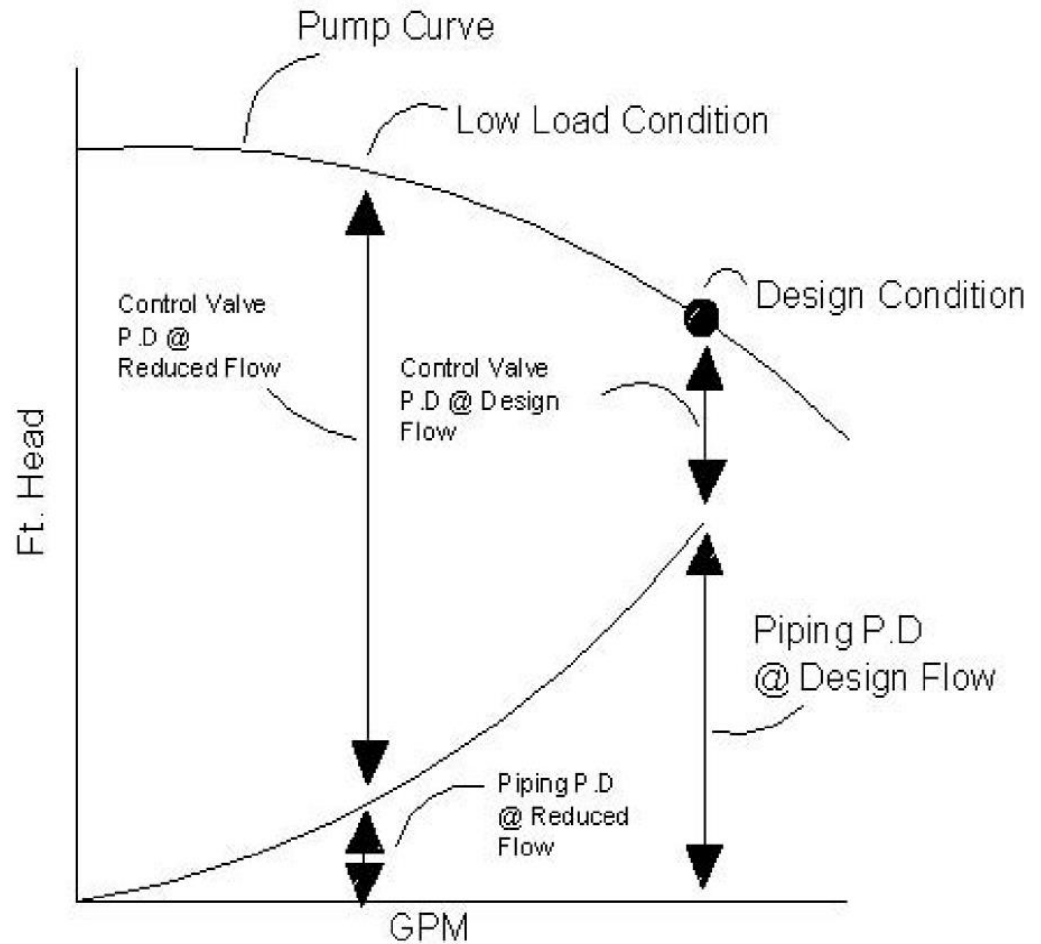


Fig. 10 Typical Flow Characteristics of Valves

Control Valve Purpose

TYPICAL CONTROL VALVE C_v RATINGS

3/4"	3
	5
	8
1"	4
	6
1-1/4"	7
	11
1-1/2"	18
	9
2"	15
	21
2-1/2"	12
	17
3"	26
	18
4"	29
	36
5"	31
	40
6"	57
	53
8"	68
	82



Delta/Flow to Control

- 10 F delta system creates “X” Flow
- 20 F delta system creates “50% of X” flow
- Leads to reduced pumping requirements
 - $BHP = \frac{\text{flow} \times \text{head} \times \text{S.G.}}{3960 \times \text{pump efficiency}}$
- Tends to create a bigger control range

Pump Relationships

- Pump Curve – creates flow against resistance
- System Curve – represents system resistance to flow

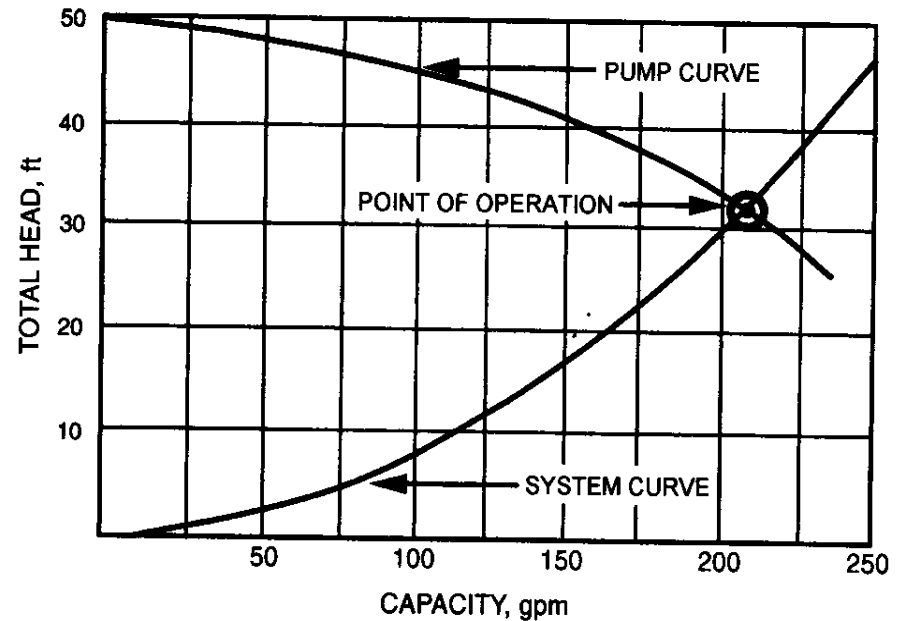


Fig. 17 System and Pump Curves

Pump Laws

Table 1 Pump Affinity Laws

Function	Speed Change	Impeller Diameter Change
Flow	$Q_2 = Q_1 \left(\frac{N_2}{N_1} \right)$	$Q_2 = Q_1 \left(\frac{D_2}{D_1} \right)$
Head	$h_2 = h_1 \left(\frac{N_2}{N_1} \right)^2$	$h_2 = h_1 \left(\frac{D_2}{D_1} \right)^2$
Horsepower	$\text{bhp}_2 = \text{bhp}_1 \left(\frac{N_2}{N_1} \right)^3$	$\text{bhp}_2 = \text{bhp}_1 \left(\frac{D_2}{D_1} \right)^3$

Typical Pump Curve

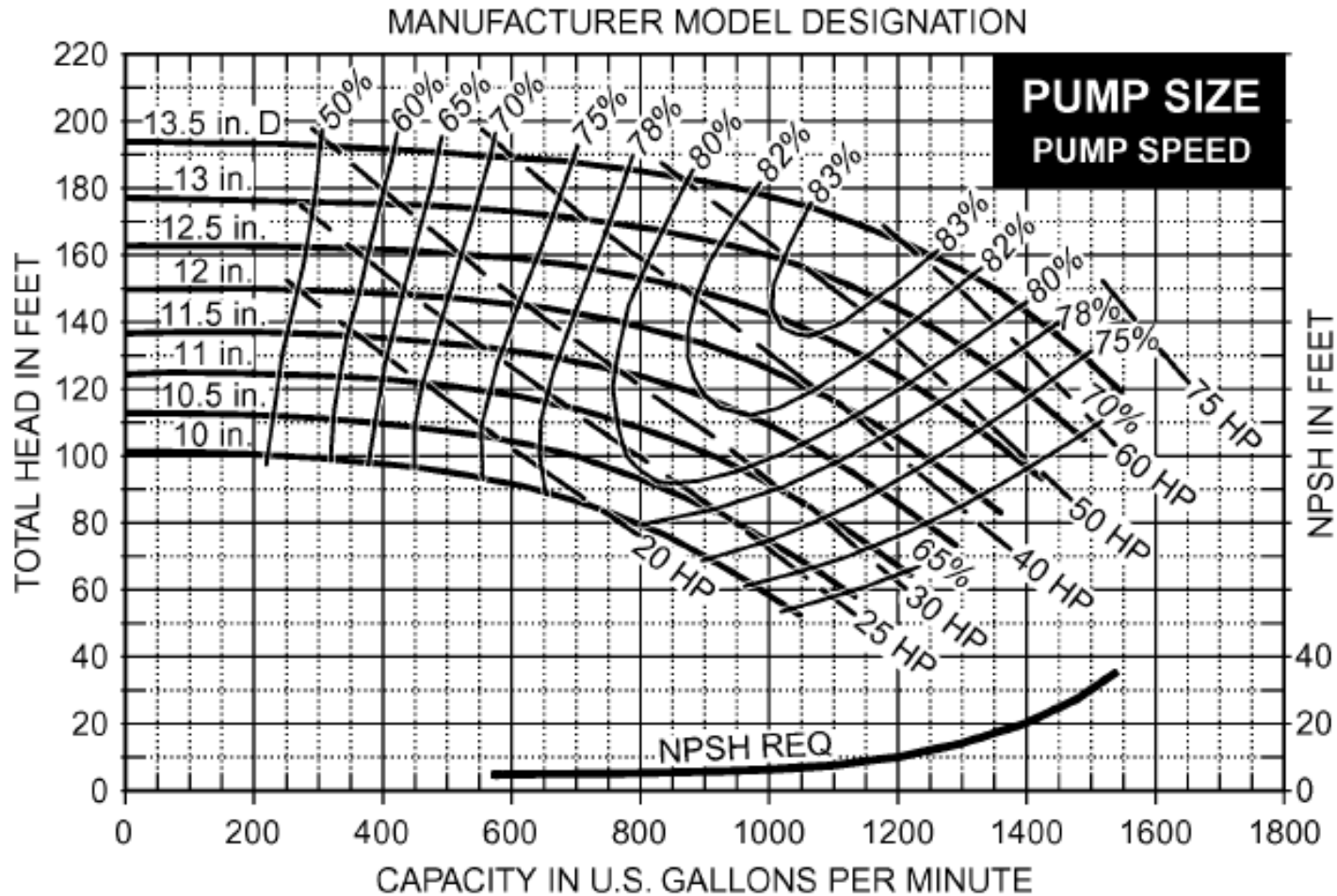
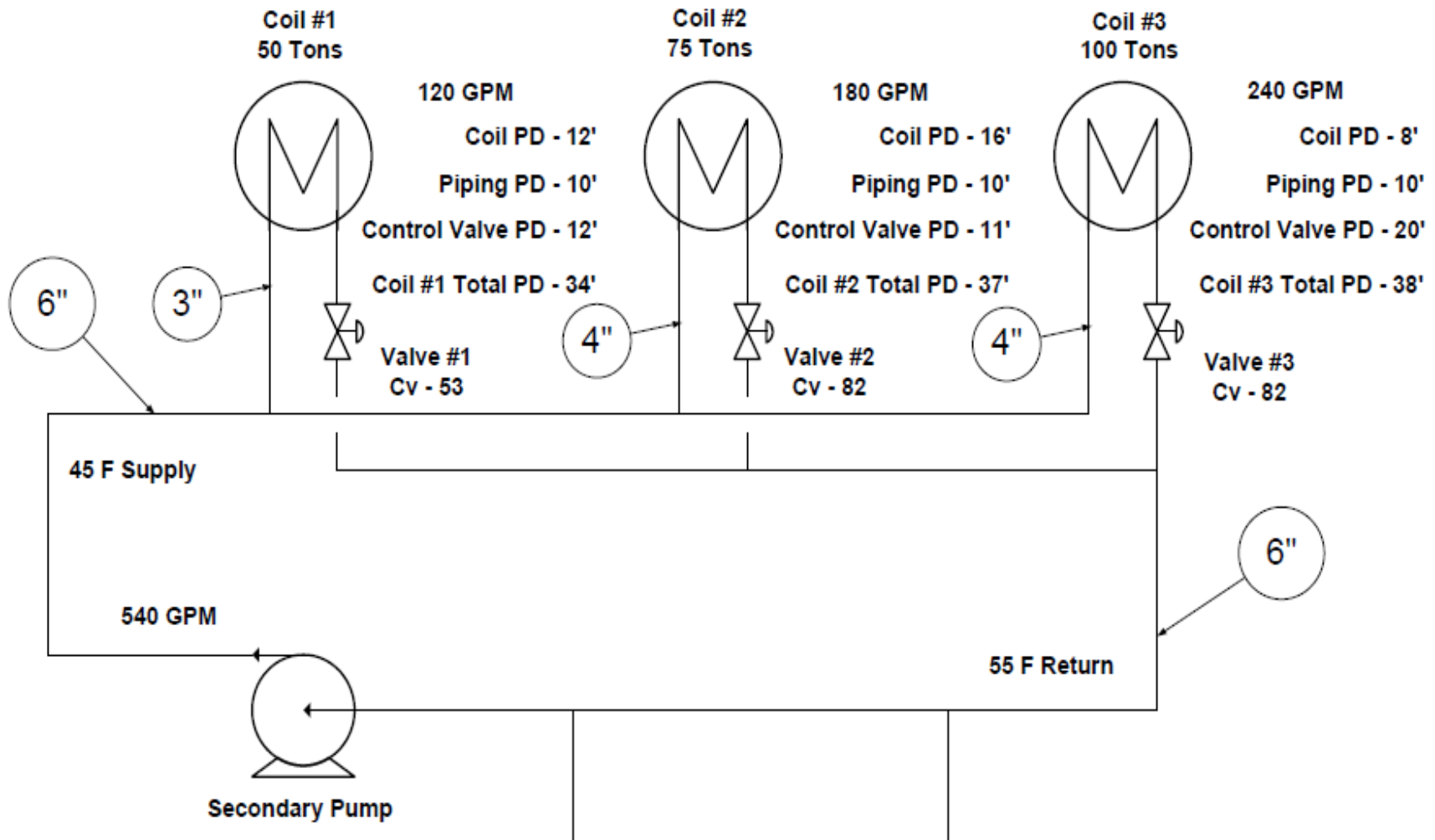


Fig. 4 Example of Manufacturer's Published Pump Curve

Example Water System

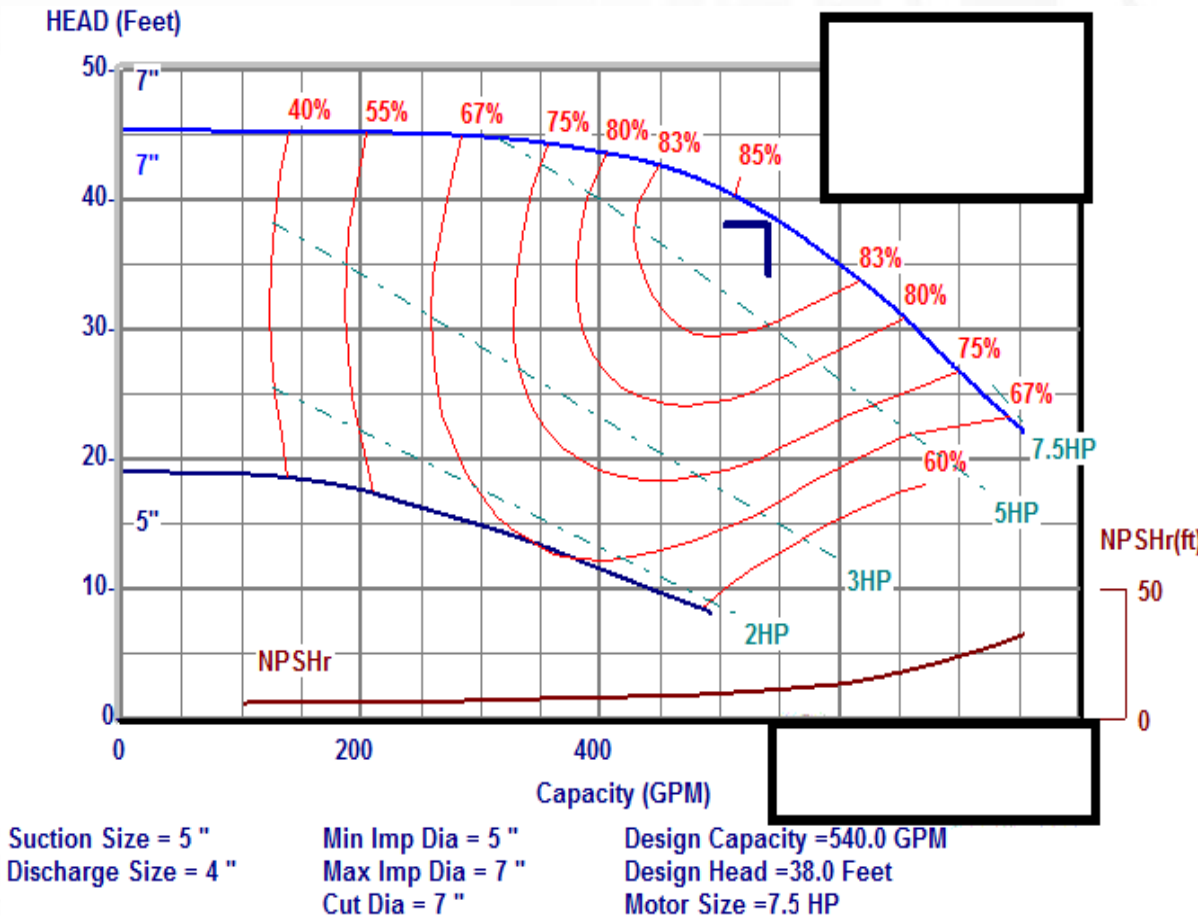
- We will examine a traditional system
- Assume a chilled water system at 10 F delta with three remote coil banks and two primary chillers piped in a primary/secondary system.
- Let's look at the potential with:
 - 20 F delta approach
 - New control valves
 - New pumps

Traditional Secondary System

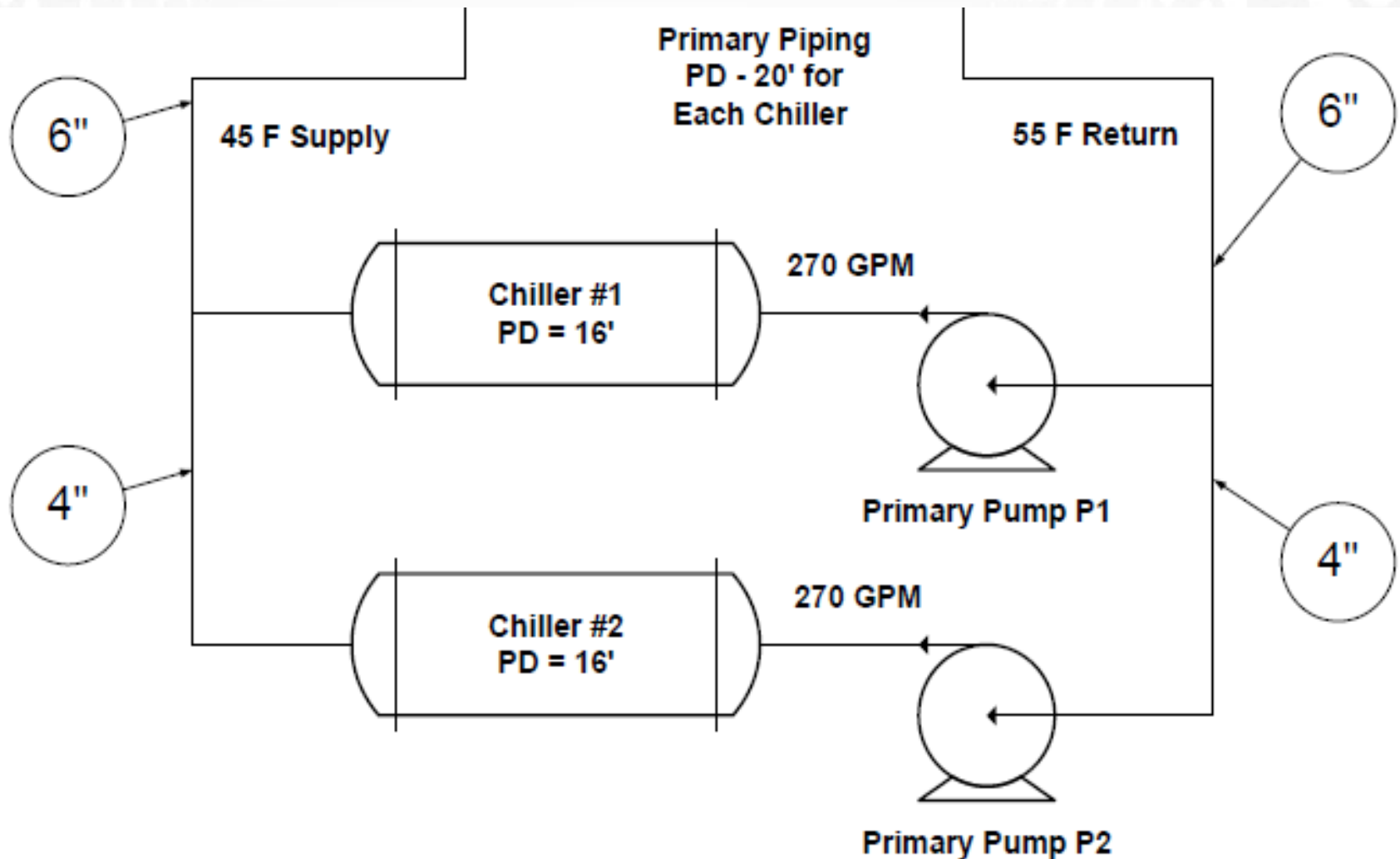


Traditional Secondary Pump

- Need is 540 GPM at 38 ft. (w.c.) total head
- Pump selected – 84% efficient with 6.2 BHP
 - Selected motor is 7 1/2 Hp

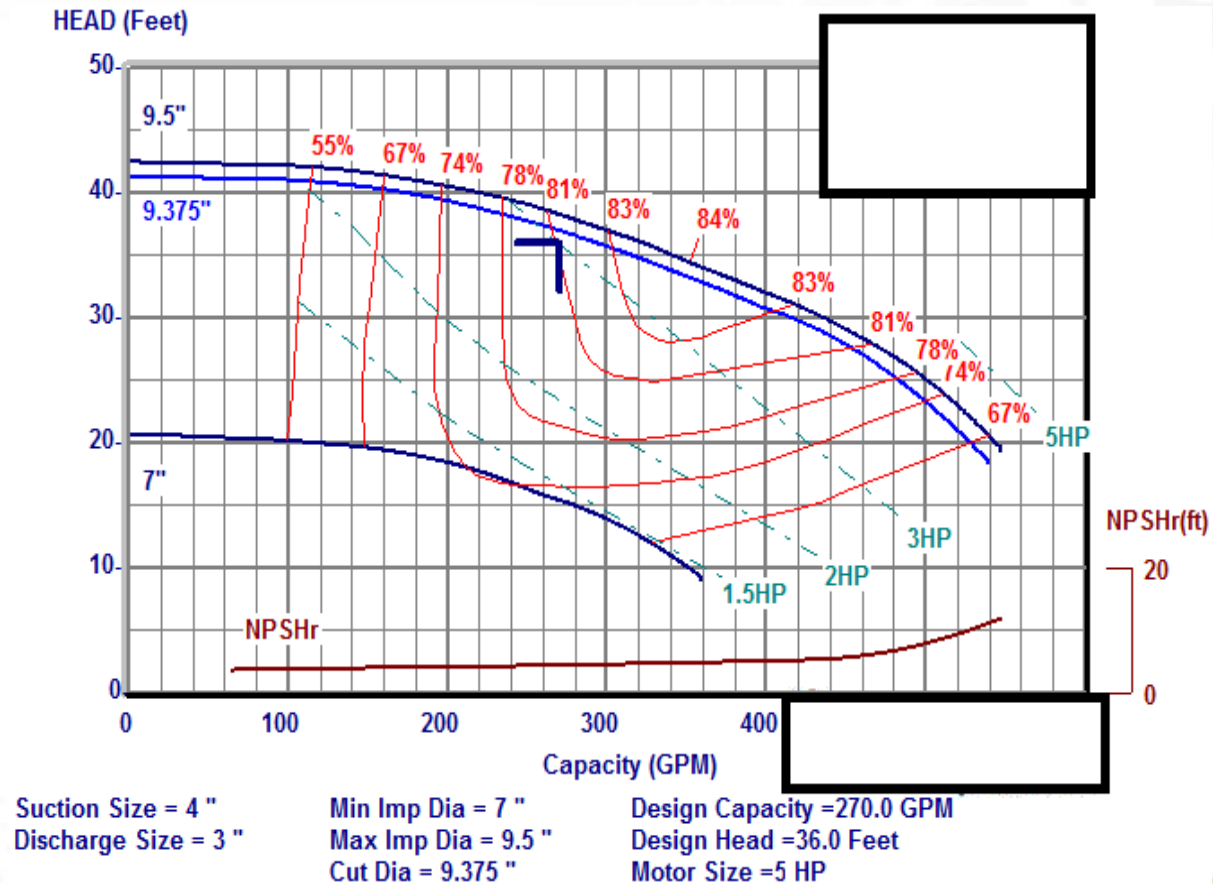


Traditional Primary System



Traditional Primary Pumps

- Need (for each) is 270 GPM at 36 ft. (w.c.) total head
- Pump selected – 81% efficient with 3.1 BHP
 - Selected motor is 5 Hp



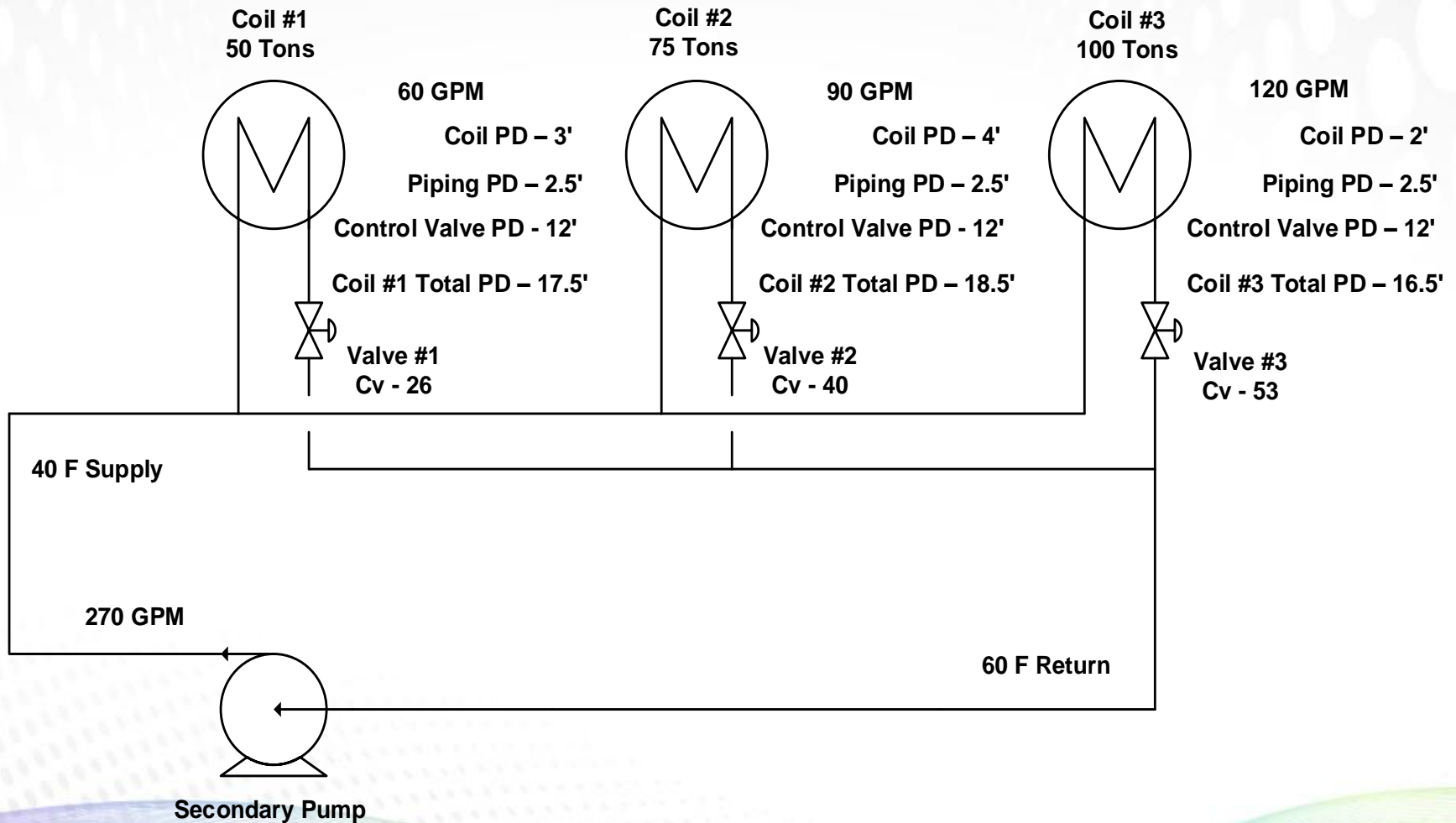
Traditional Total Pumping

- Primary pumps – 3.1 BHP (ea.) = 6.2 BHP
- Secondary pump – 6.2 BHP
- Total pump power = 12.4 BHP

Low Flow/High Delta System

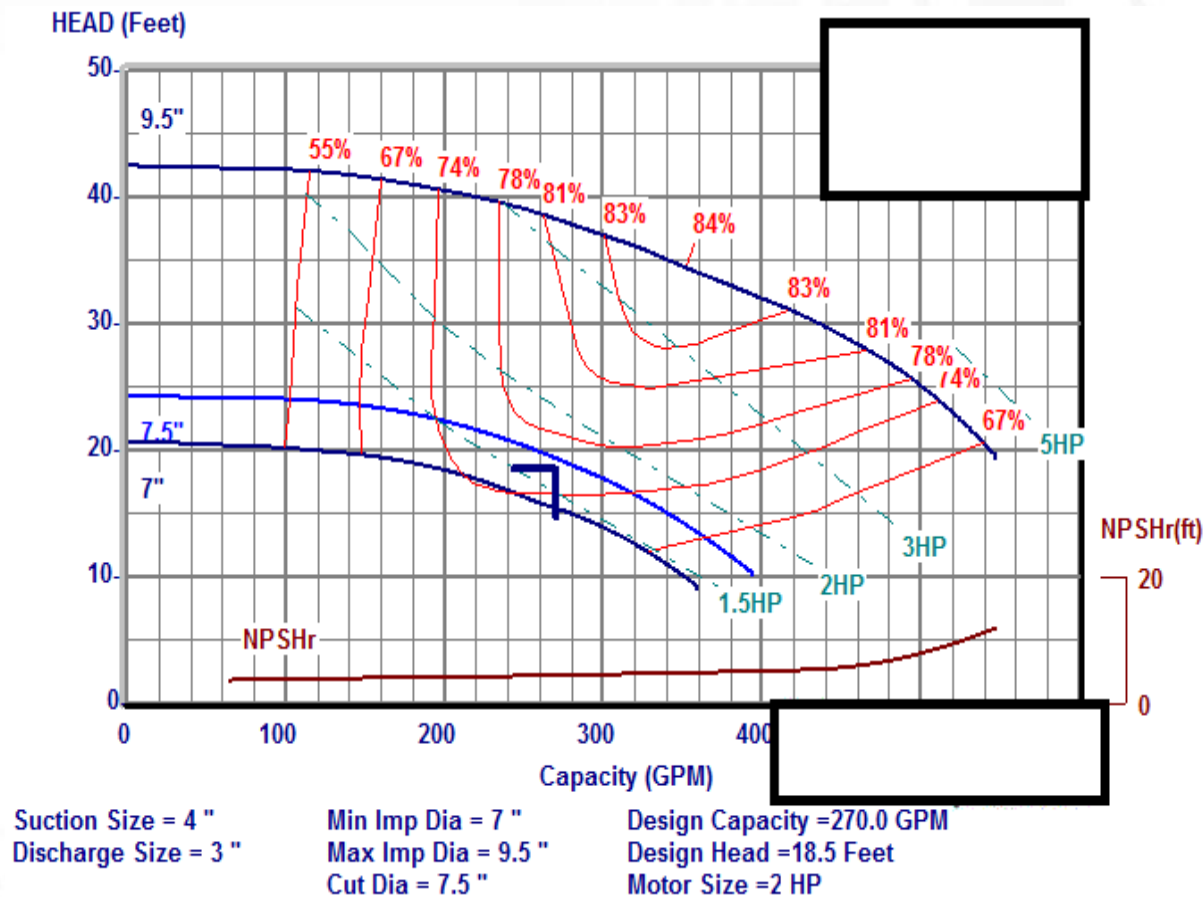
- Chilled water supply will be 40 F and the return water temperature will be 60 F
 - Shifting the delta 5 F at each end
 - Creating a 20 F delta and 50% required flow to the same system

Low Flow/High Delta Secondary System

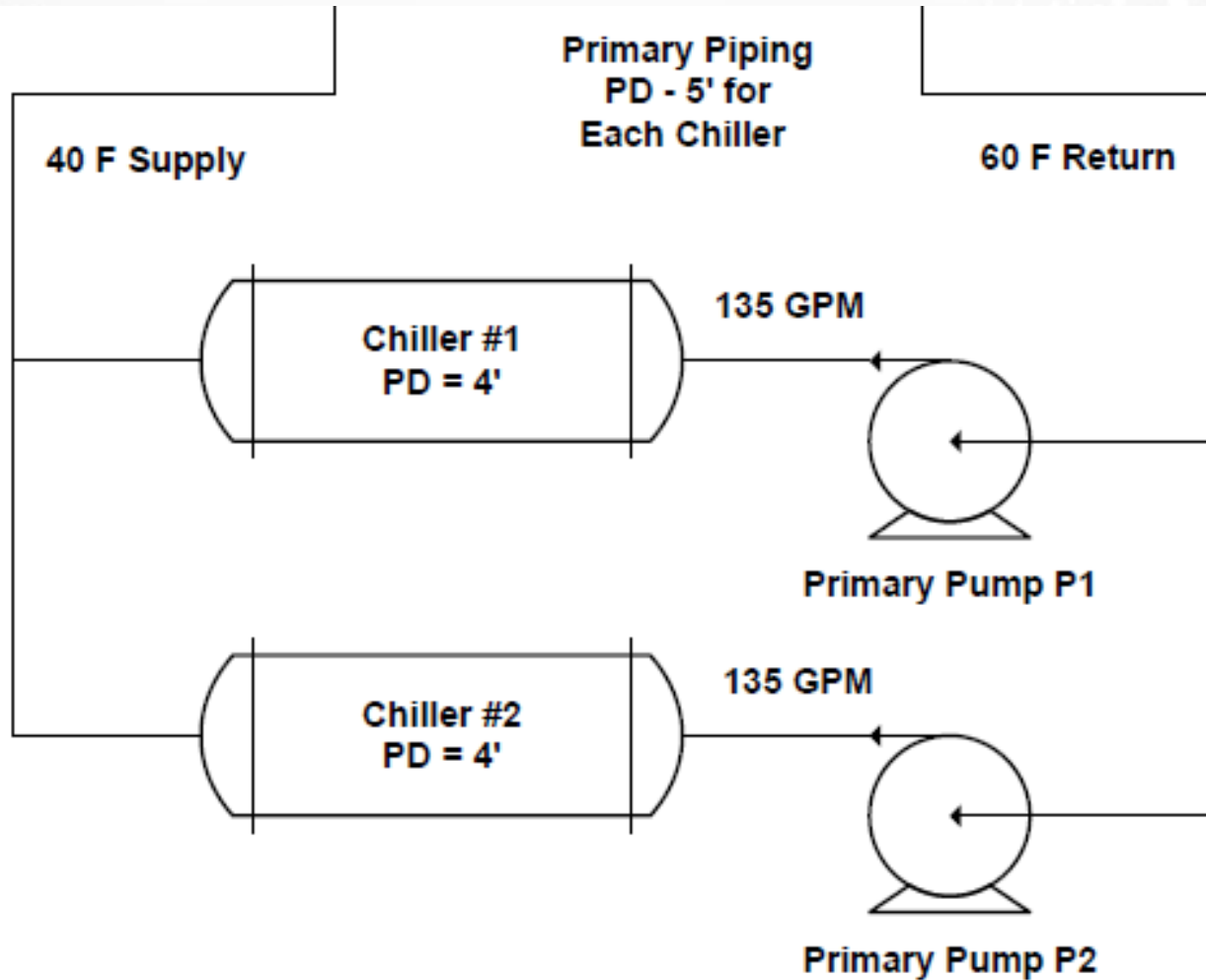


Low Flow/High Delta Secondary Pump

- Need is 270 GPM at 18.5 ft. (w.c.) total head
- Pump selected – 76% efficient with 1.7 BHP
 - Selected motor is 3 Hp

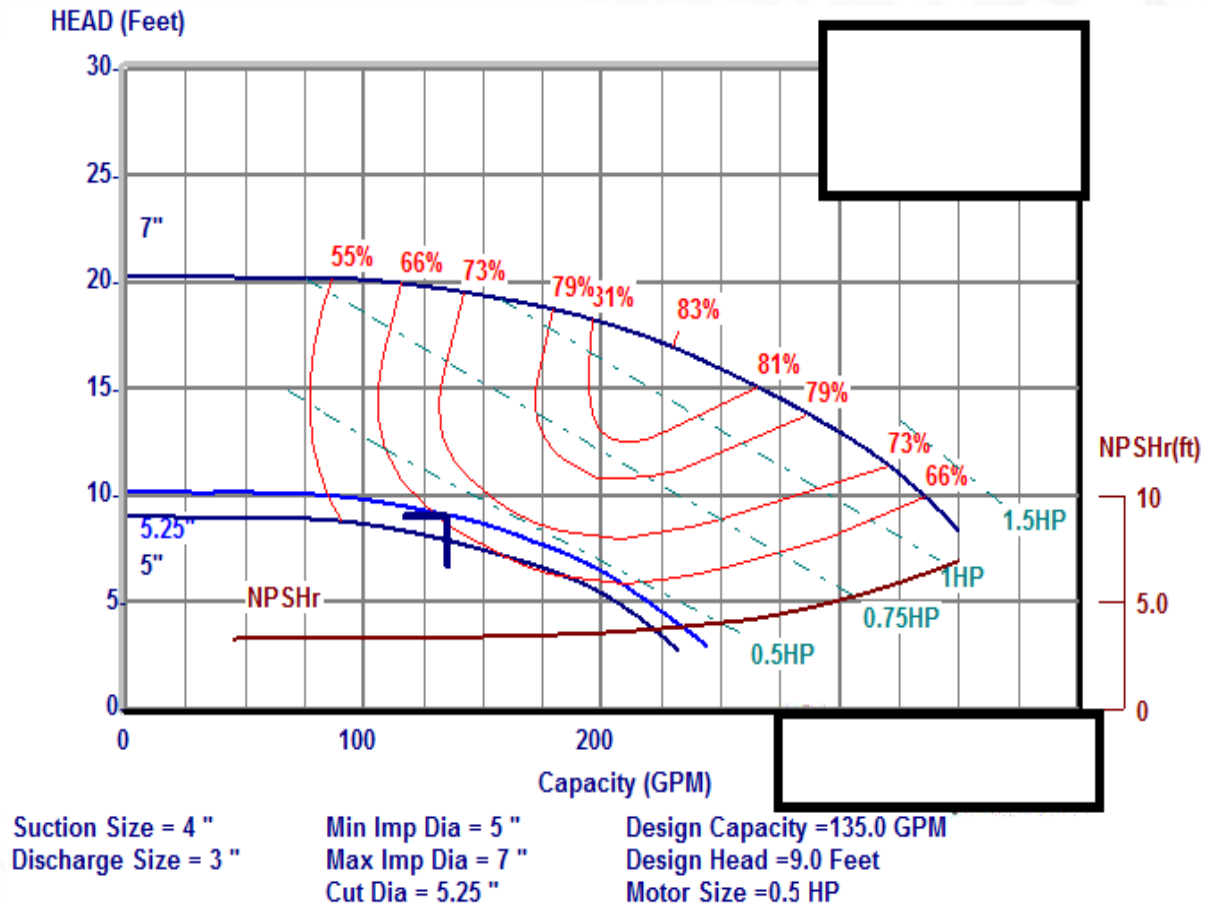


Low Flow/High Delta Primary System



Low Flow/High Delta Primary Pumps

- Need (for each) is 135 GPM at 9 ft. (w.c.) total head
- Pump selected – 68% efficient with 0.5 BHP
 - Selected motor is 1 Hp



Low Flow/High Delta Total Pumping

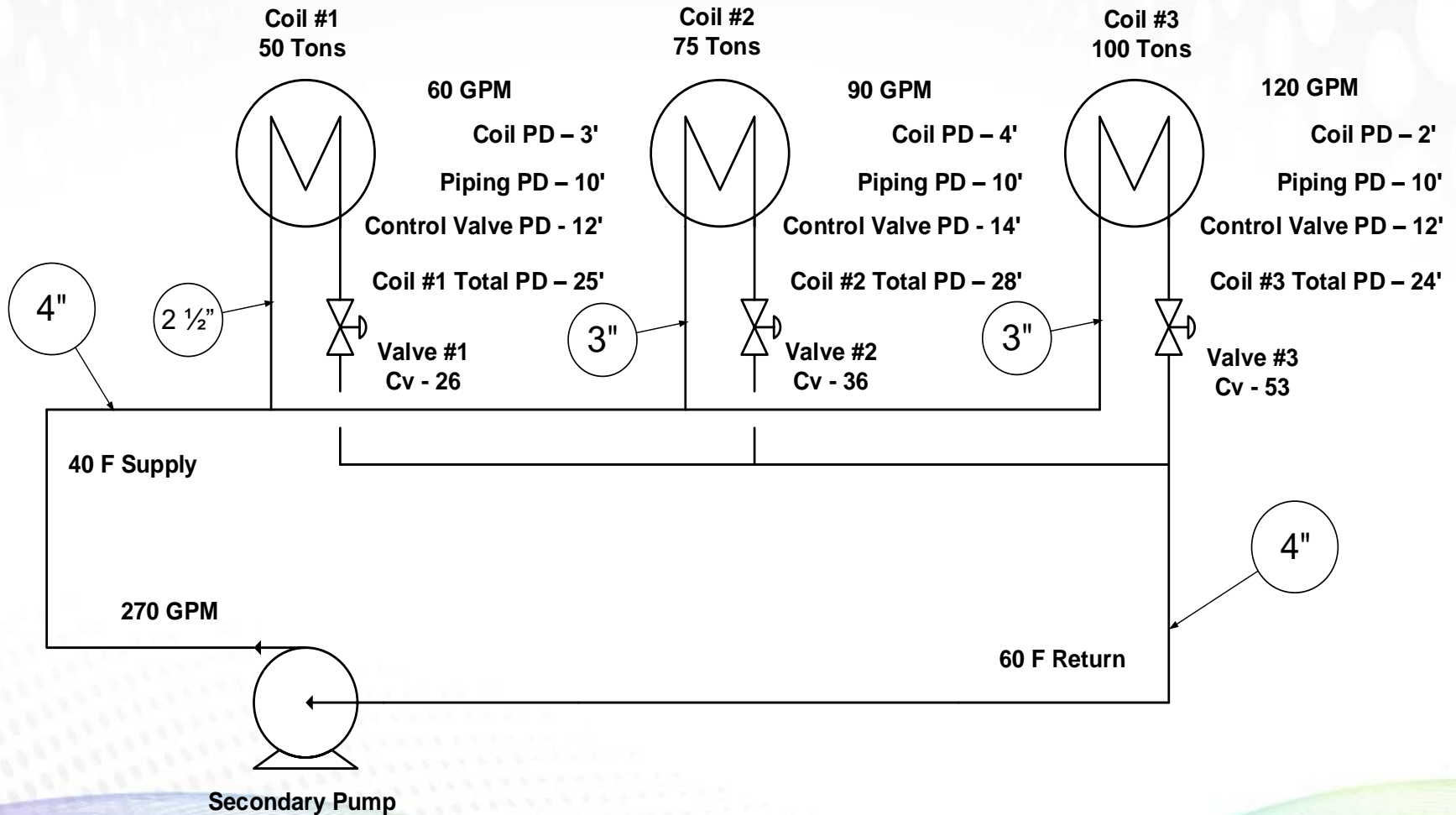
- Primary pumps – 0.5 BHP (ea.) = 1.0 BHP
- Secondary pump – 1.7 BHP
- Total pump power = 2.7 BHP
- Savings due to Low Flow/High Delta
 - 12.4 BHP minus 2.7 BHP = 9.7 BHP

Example of Potential Savings

- Transferring 9.7 BHP to annual savings (\$)
- $\$ = 9.7 \text{ BHP} \times 746 \text{ watts/BHP} \times 1\text{kW}/1000 \text{ watts} \times 1000 \text{ hours/year} \times \$0.125/\text{kWh} \times 1/0.85$
- $\$ = 1064.14$

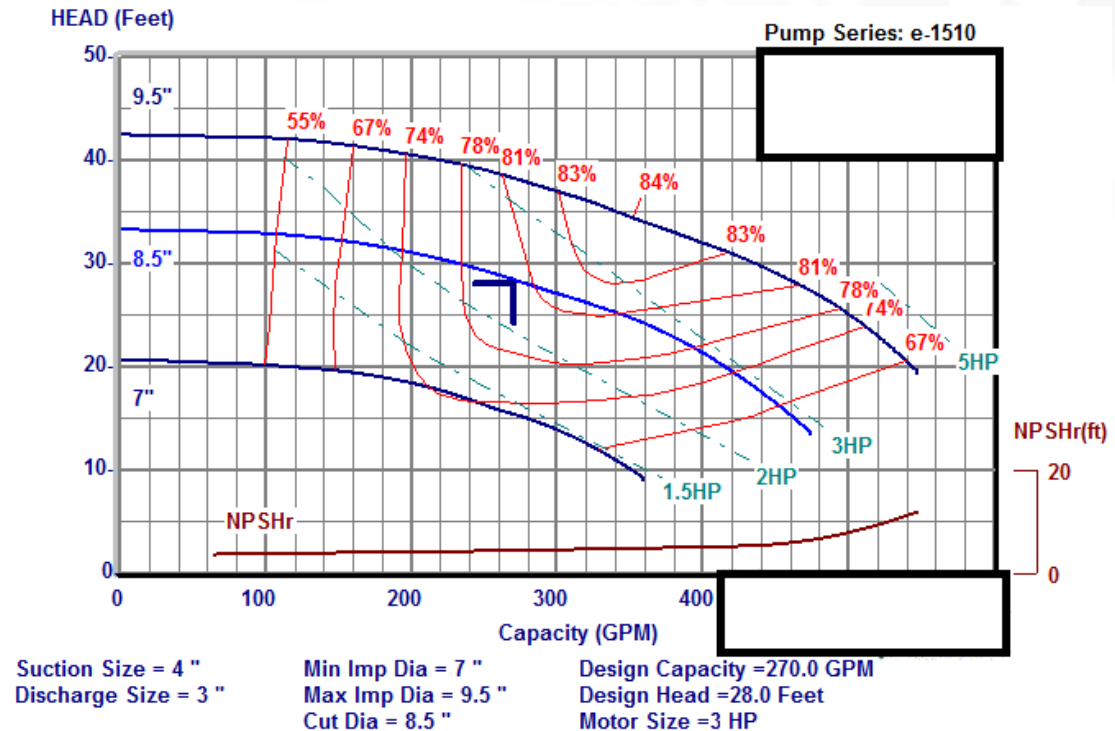


Low Flow/High Delta Secondary System

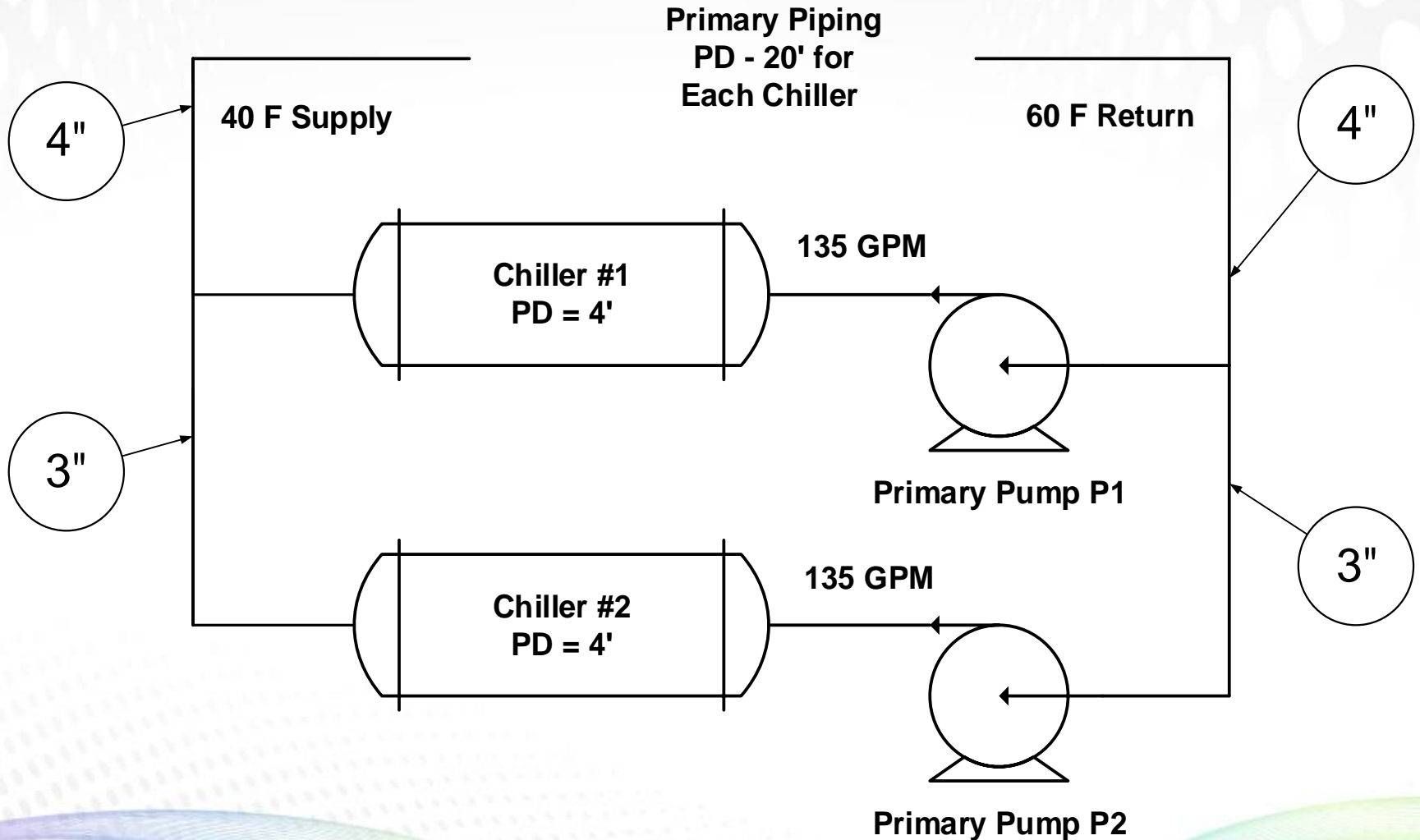


Low Flow/High Delta Secondary Pump

- Need is 270 GPM at 28 ft. (w.c.) total head
- Pump selected – 80.5% efficient with 2.4 BHP
 - Selected motor is 3 Hp

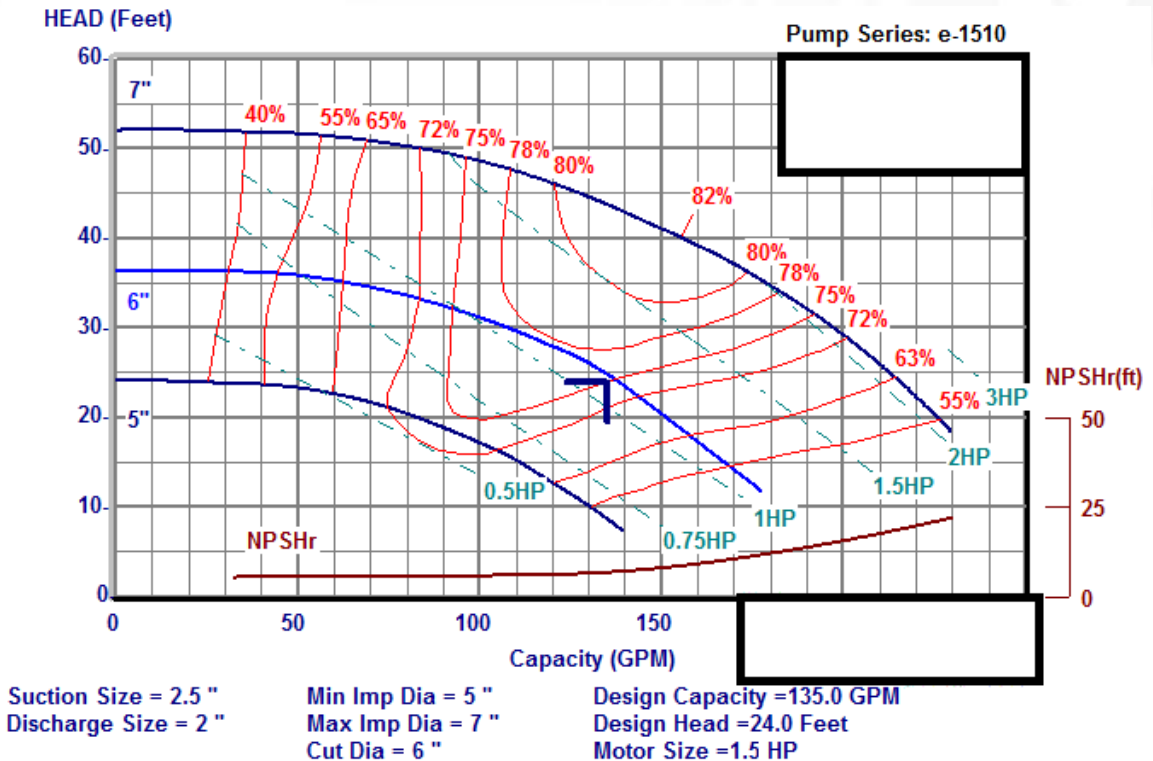


Low Flow/High Delta Primary System



Low Flow/High Delta Primary Pumps

- Need (for each) is 135 GPM at 24 ft. (w.c.) total head
- Pump selected – 75% efficient with 1.1 BHP
 - Selected motor is 1.5 Hp



Low Flow/High Delta Total Pumping

- Primary pumps – 1.1 BHP (ea.) = 2.2 BHP
- Secondary pump – 2.4 BHP
- Total pump power = 4.6 BHP
- Savings due to Low Flow/High Delta
 - 12.4 BHP minus 4.6 BHP = 7.8 BHP

Other Benefits

- Reduced installation costs (smaller pipes, valves, insulation, etc..)
- Potential for reduced supply air temperature due to lower chilled water supply temp to coils
 - Creates lower required total airflows to each space
 - Potential savings due to less ductwork and smaller air handlers
 - Promotes better “dew point” control (IEQ)
 - Cascade usage to enhance the higher delta
- Promotes better hot water systems with larger deltas
 - Easier for return temperatures to be used with condensing boilers
- Lower Flow Systems tend to create better flow to mass relationships (tend to avoid short circuiting)

Recap of thoughts

- Water has a very high affinity to energy
- Heat exchangers can be adjusted to transfer the same energy with lower flow rates
- A lower flow rate results in a higher water “Delta” and this creates a potential for wider control range and better control
- Lower flow rates can produce lower pump BHP and result in operational cost savings
- Other benefits can be obtained due to changes in water loop temperatures (reduced install costs, reduced airflow, etc..)

Questions?



Douglas Zentz
zentzd@ferris.edu