

NOTES.

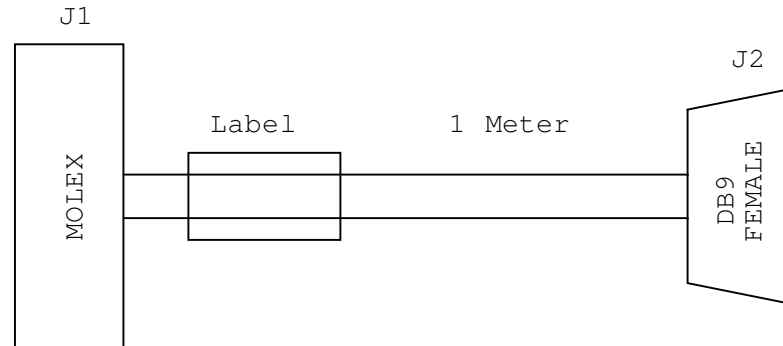
MOLEX TOOLING	
SERVICE CRIMP TOOL	063811-1000
HAND CRIMP TOOL	0638190901
EXTRACTION TOOL	0011030044
APPLICATOR	63902-3900

TE TOOLING	
CRIMP TOOL	58448-2
EXTRACTION TOOL	91285-1
APPLICATOR	2151496-1

Molex Strip Length	
Jacket	29.21 mm
Conductor	3.00 mm

LABEL CONTENTS	
Spectrum Digital	
CAN Cable	
Part # 519165 A	

TE Strip Length	
Conductor	2.14 - 2.64 mm



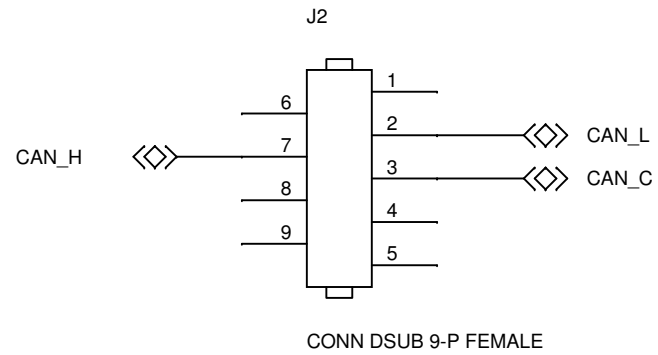
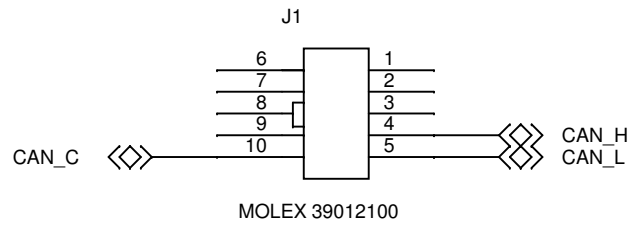
SPECTRUM DIGITAL INCORPORATED			
Title: CAN CABLE			
Page Contents: TITLE			
Size:A	DWG NO	519165	Revision: A
Date: Wednesday, December 11, 2019			Sheet 1 of 2

BELDEN 9534

WIRE	COLOR
1	BLACK
2	WHITE
3	RED
4	GREEN

WIRE TABLE

J1	J2	COLOR	SIGNAL
4	7	RED	CAN_H
5	2	WHITE	CAN_L
10	3	BLACK	CAN_C



SPECTRUM DIGITAL INCORPORATED			
Title: CAN CABLE			
Page Contents: LOGIC			
Size: A	DWG NO	519165	Revision: A
Date: Tuesday, December 10, 2019		Sheet 2 of 2	