



CAN Cable For AppBox System User's Guide



Notice !

Spectrum Digital, Inc (SDI) provides the enclosed product under the following conditions:

The user/customer assumes ALL responsibility and liability for the proper use, storage, and safe handling of the product. Further, the user indemnifies SDI from all claims arising from the use, installation, storage, and handling of the product. Due to the flexibility and open construction of the product, it is the user's responsibility to take all appropriate precautions with regard to powering, attachment of cables, connection to other equipment, and electrostatic discharge.

Except to the extent of the indemnity set forth above, neither party shall be liable to the other for any indirect, special, incidental, or consequential damages.

SDI assumes no liability for applications assistance, customer product design, system and software performance, or infringements of patents or services described herein.

No license is granted under any patent right or other intellectual property right of SDI covering or relating to any machines, process, software, or combination in which such SDI products or services might be or are used.

SDI currently deals with a variety of customers for products, and therefore our arrangement with the reseller, customer, or user **is not exclusive**.

Please refer to the product web page on the SDI web site for warranty period.

The warranty and return policy are described on the SDI web site.

Mailing address:

Spectrum Digital, Inc
PO Box 1559
Sugar Land, TX. 77487-1559

Web site: www.spectrumdigital.com
Sales: sales@spectrumdigital.com
Support: support@spectrumdigital.com

Copyright Spectrum Digital Inc, © 2020

519168-0001

Table of Contents

Section	Title	Page
1.0	Introduction	4
1.1	CAN Cable Features	4
1.2	CAN Cable Product Contents	5
1.3	CAN Cable Compatibility	5
1.4	CAN Cable AppBox / Distribution Box Connector	5
1.5	CAN Cable CAN Device Connector	6
1.6	CAN Cable Schematics	6

1.0 Introduction

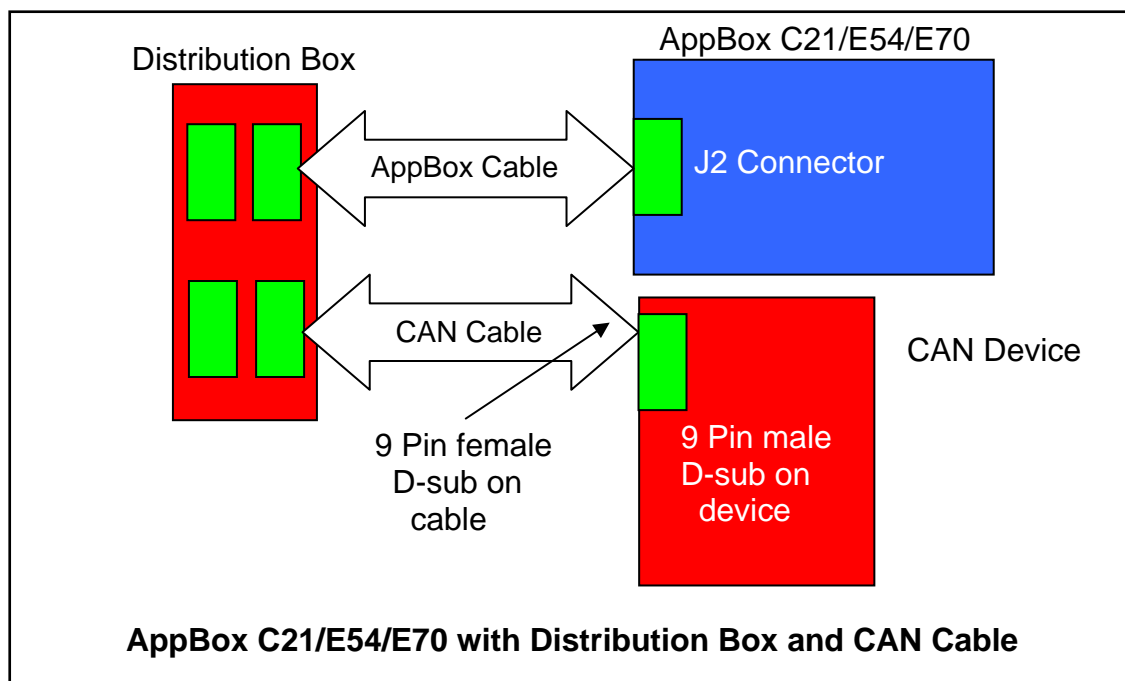
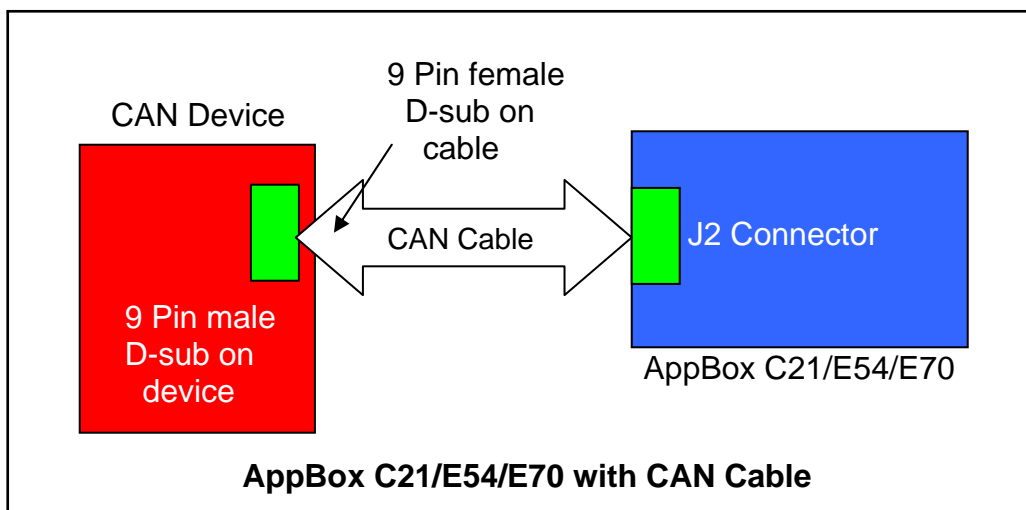
This document describes the CAN (Part/SKU #: 703912-0001) cable used with the AppBox. This cable brings the CAN signals off the AppBox C21/E54/E70 J2 connector or J2 image connector on the Distribution Box to a device that has a CAN D-connector interface.

1.1 CAN Cable Features

This CAN cable has the following features:

- Mates with AppBox J2 connector or Distribution Box
- Mates with CAN device
- Length: 3 foot (36 in / 91 cm)

The two diagrams below show the use of the CAN cable.



1.2 CAN Cable Product Contents

The following items are contained in the CAN cable product (Part/SKU #: 703912-0001):

- CAN cable in bag
- Product information card

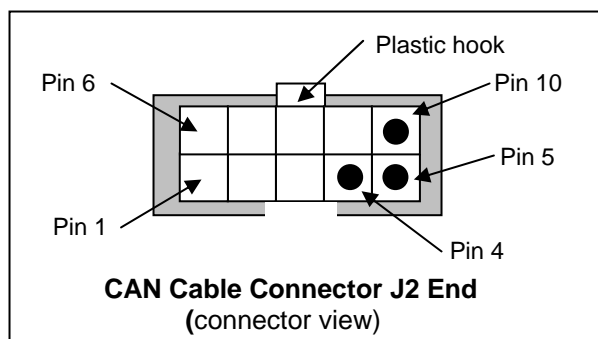
1.3 CAN Cable Compatibility

The CAN Cable is designed to work with the following products which can be ordered from Spectrum Digital or authorized resellers:

Accessory Description	Part/SKU Number
AppBox C21	703909-0001
AppBox E54	703919-0001
AppBox E70	703911-0001
Distribution Box	703924-0001

1.4 CAN Cable AppBox / Distribution Box Connector

The CAN cable end which plugs into the AppBox J2 connector or Distribution Box is a molded 10 pin (2 rows x 5 pin) connector. A view of this connector is shown below.

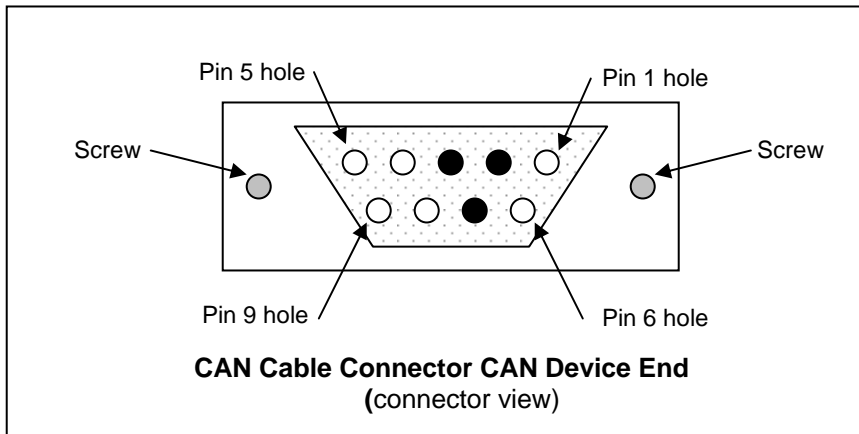


The following table shows the signals present on the CAN cable at the AppBox J2 connector end

CAN Cable J2 Connector End	
Pin number	Signal name
1	No Connect
2	No Connect
3	No connect
4	CAN_H
5	CAN_L
6	No Connect
7	No connect
8	No Connect
9	No connect
10	DGND

1.5 CAN Cable CAN Device Connector

The CAN cable end which plugs into a CAN device is a female 9 pin D-sub connector. A view of this connector is shown below.



The following table shows the signals present on the CAN cable at the CAN Device end.

CAN Cable Device End	
Pin number	Signal name
1	No Connect
2	CAN_L
3	DGND
4	No Connect
5	No Connect
6	No Connect
7	CAN_H
8	No Connect
9	No connect

1.5 CAN Cable Schematics

The following pages contain the schematics for the CAN cable.

NOTES.

MOLEX TOOLING	
SERVICE CRIMP TOOL	063811-1000
HAND CRIMP TOOL	0638190901
EXTRACTION TOOL	0011030044
APPLICATOR	63902-3900

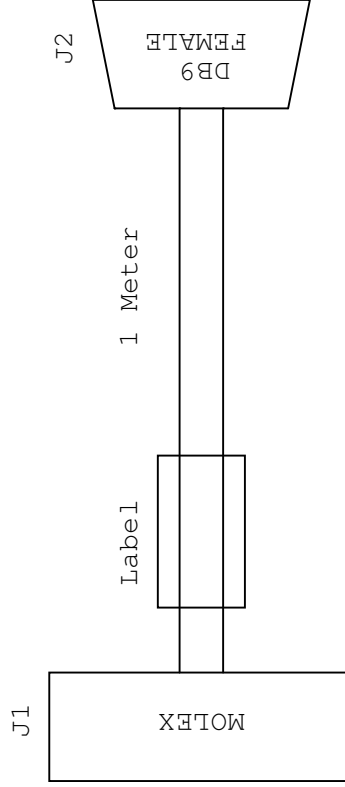
Molex Strip Length	
Jacket	29.21 mm
Conductor	3.00 mm

LABEL CONTENTS

Spectrum Digital CAN Cable Part # 519165 A
--

TE Strip Length	
Conductor	2.14 - 2.64 mm

TE TOOLING	
CRIMP TOOL	58448-2
EXTRACTION TOOL	91285-1
APPLICATOR	2151496-1



SPECTRUM DIGITAL INCORPORATED

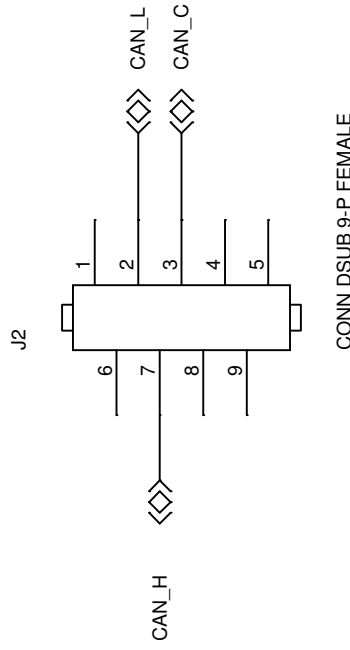
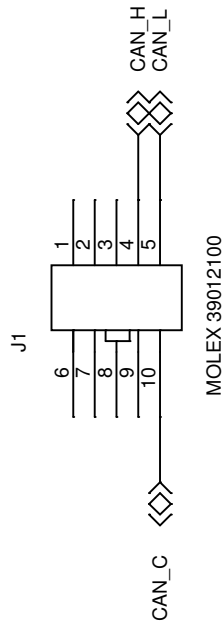
Title: CAN CABLE	
Page Contents: TITLE	
Size: A	DWG NO 519165
Revision: A	
Date: Wednesday, December 11, 2019	Sheet 1 of 2

BELDEN 9534

WIRE	COLOR
1	BLACK
2	WHITE
3	RED
4	GREEN

WIRE TABLE

J1	J2	COLOR	SIGNAL
4	7	RED	CAN_H
5	2	WHITE	CAN_L
10	3	BLACK	CAN_C



SPECTRUM DIGITAL INCORPORATED

Title: CAN CABLE

Page Contents: LOGIC

Size: A DWG NO 519165

Date: Tuesday, December 10, 2019

Revision: A

Sheet 2 of 2

Spectrum Digital, Inc
PO Box 1559
Sugar Land, TX. 77487-1559

Web site: www.spectrumdigital.com
Sales: sales@spectrumdigital.com
Support: support@spectrumdigital.com

Copyright Spectrum Digital Inc, © 2020

519168-0001