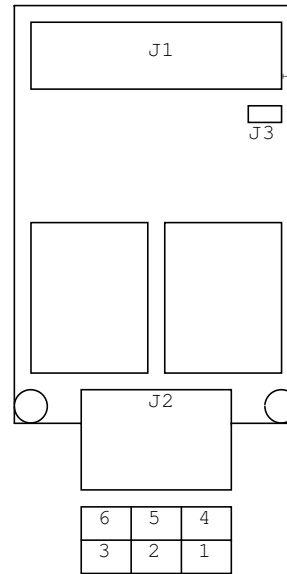
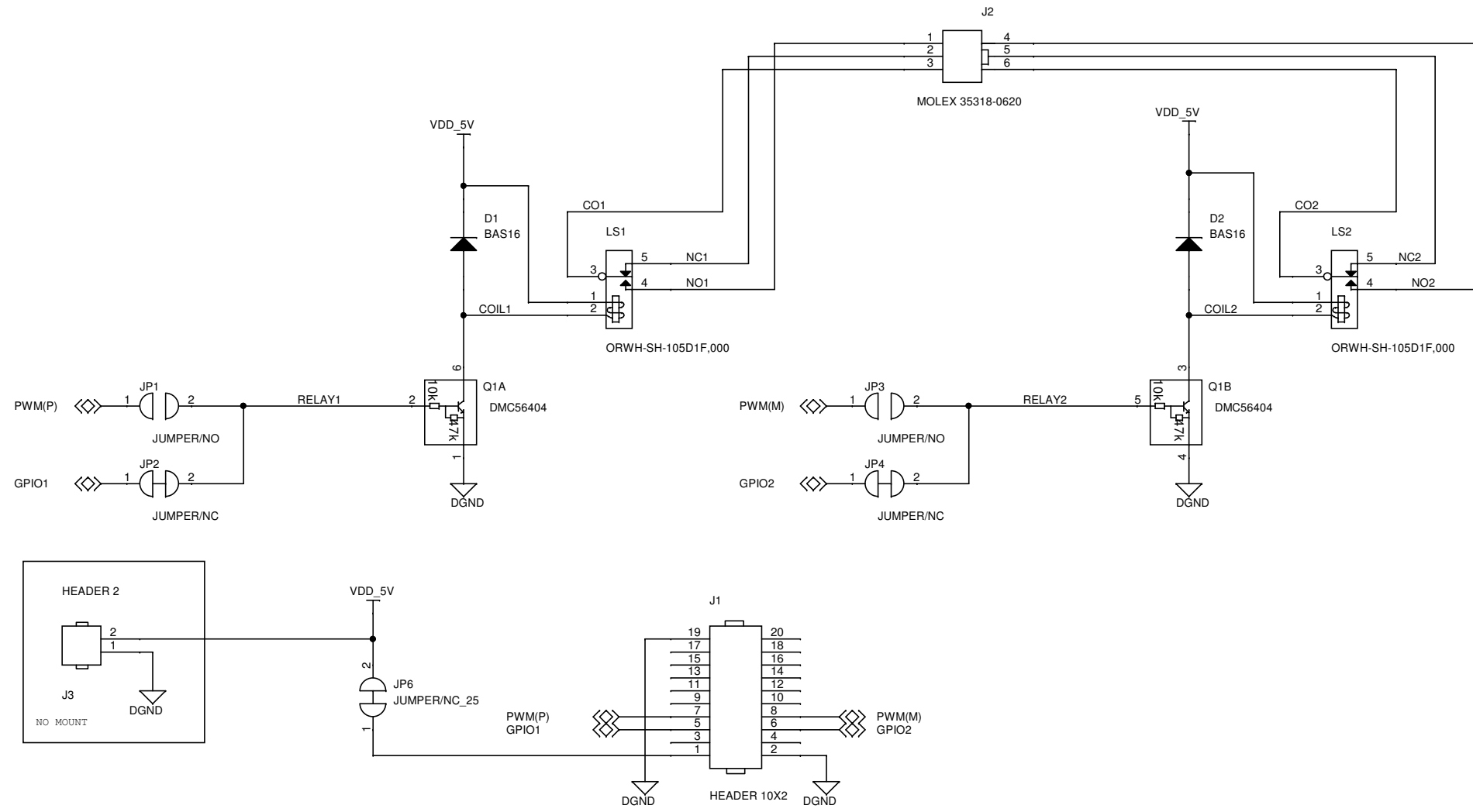


NOTES:

1. JUMPERS JP1,JP2,JP3,JP4,JP6 ARE ON THE BACK OF THE BOARD
2. INSTALL J3 AND CUT JUMPER JP6 FOR EXTERNAL 5V POWER



SPECTRUM DIGITAL INCORPORATED			
Title:		AppIO 2 Relay Module	
Page Contents:		TITLE	
Size:B	DWG NO	519162	Revision: C
Date: Friday, March 13, 2020			Sheet 1 of 2



SPECTRUM DIGITAL INCORPORATED			
Title:		AppIo 2 Relay Module	
Page Contents:		Logic	
Size: B	DWG NO	519162	Revision: C
Date: Friday, March 13, 2020		Sheet 2 of 2	