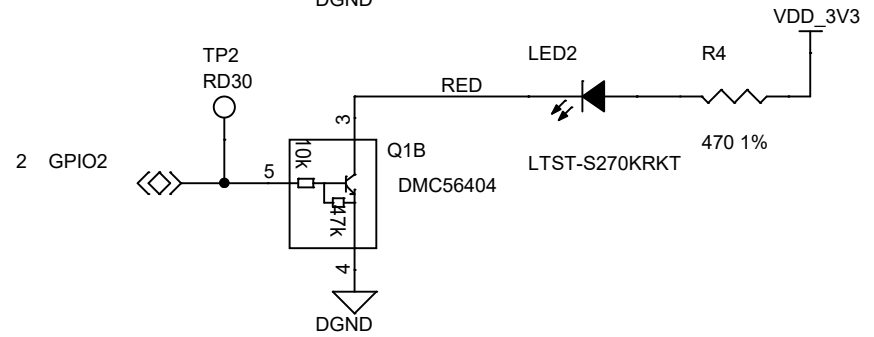
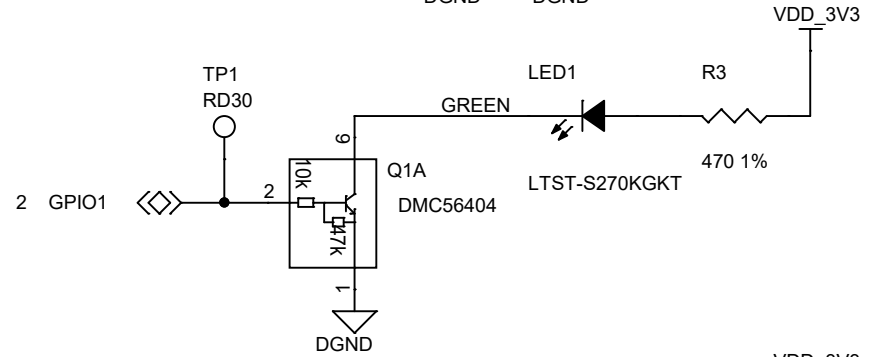
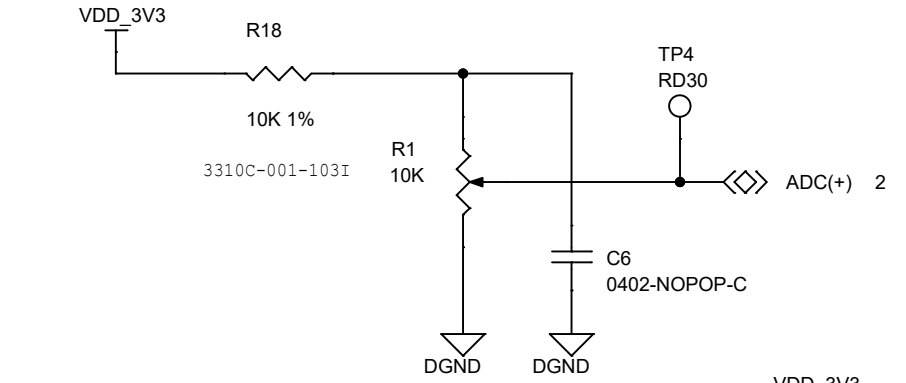
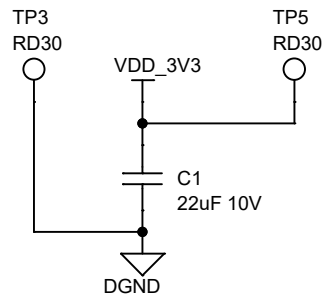
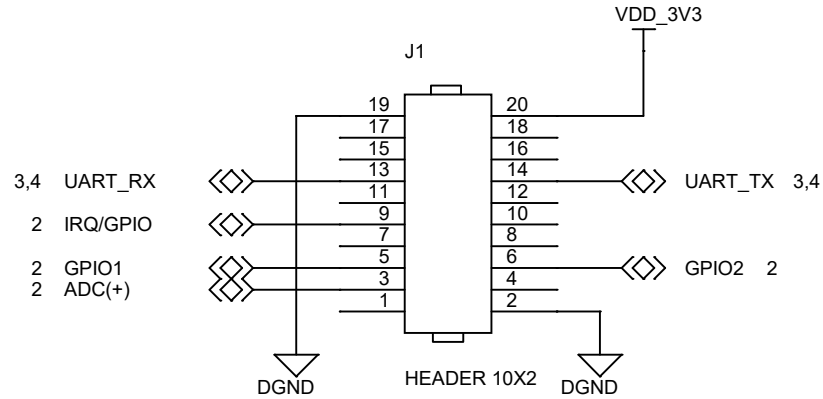
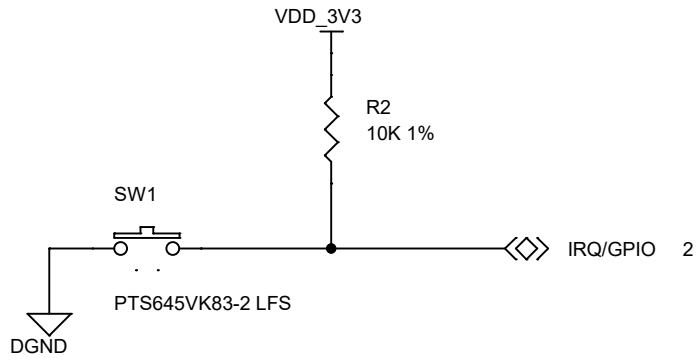
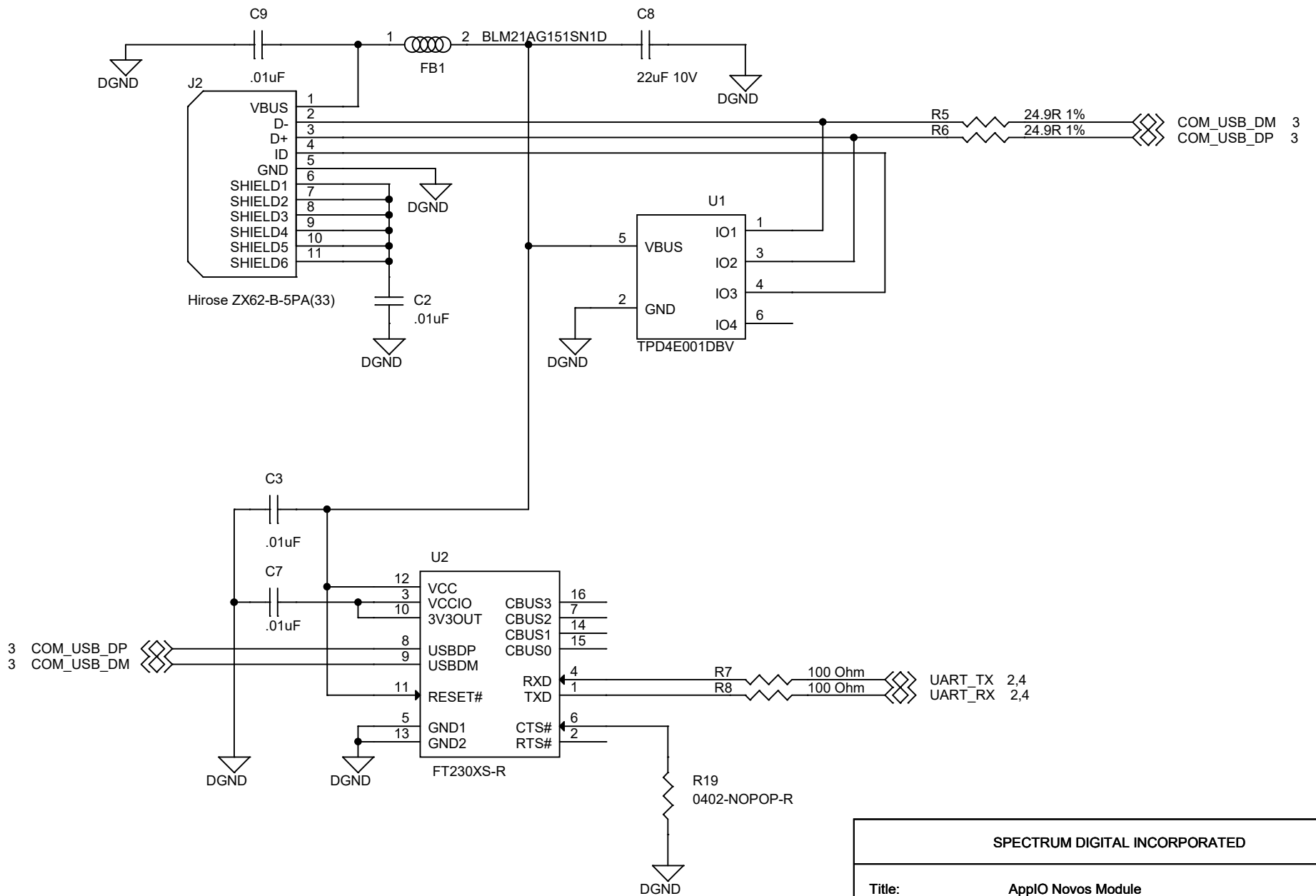


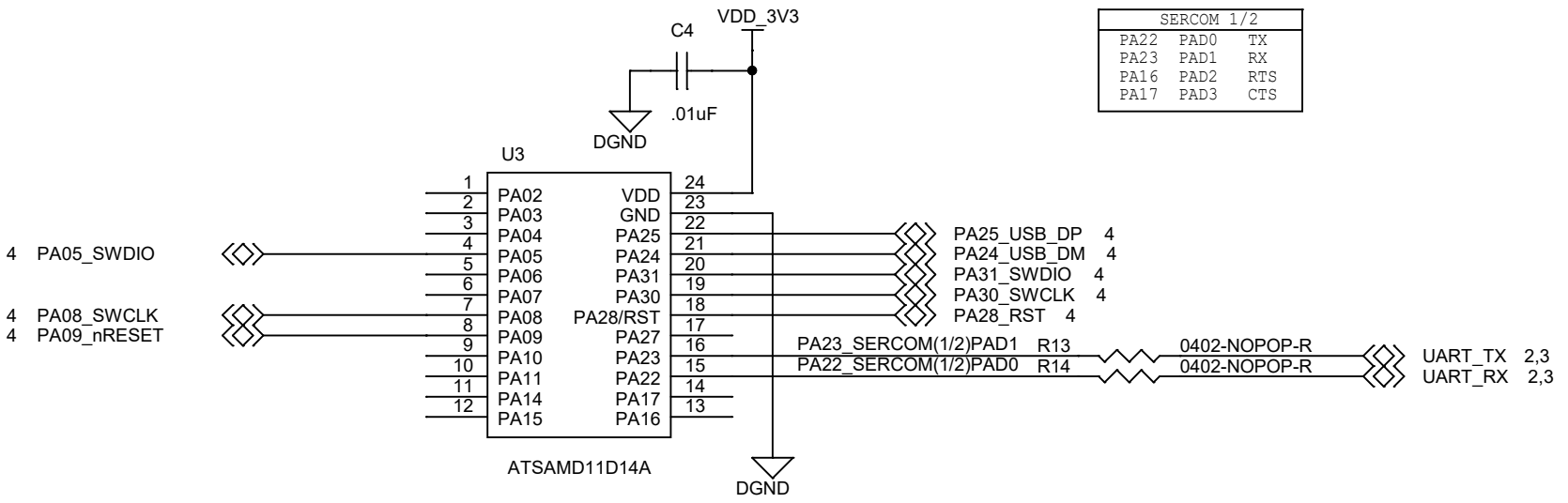
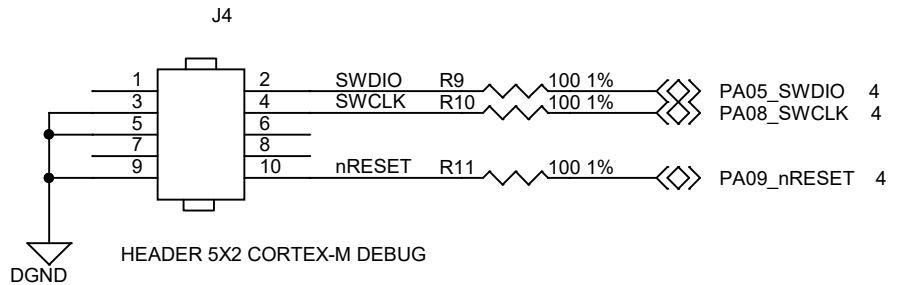
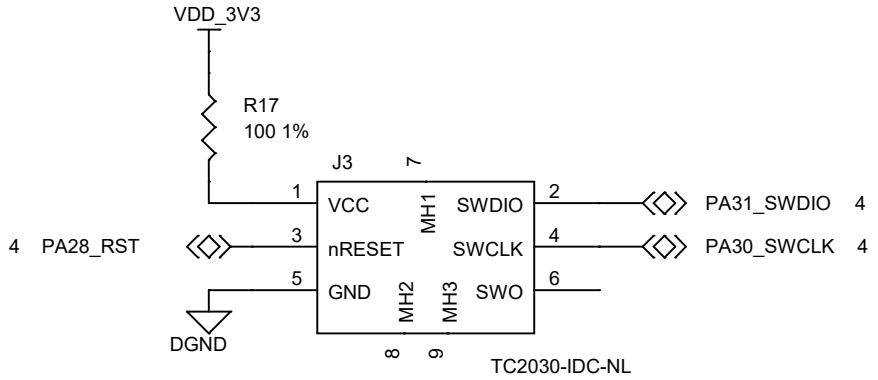
<b>SPECTRUM DIGITAL INCORPORATED</b>			
<b>Title:</b> AppIO Novos Module			
<b>Page Contents:</b> TITLE			
<b>Size:</b> A	<b>DWG NO</b>	519322	<b>Revision:</b> C
<b>Date:</b> Thursday, April 23, 2020		<b>Sheet</b> 1 <b>of</b> 4	



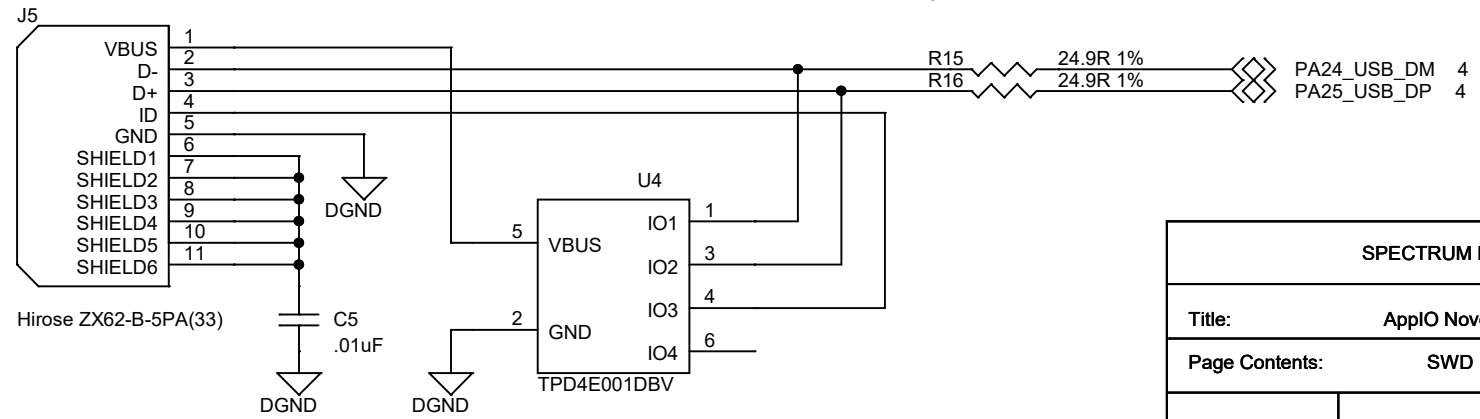
<b>SPECTRUM DIGITAL INCORPORATED</b>			
<b>Title: AppIO Novos Module</b>			
<b>Page Contents: MISC</b>			
<b>Size: A</b>	<b>DWG NO</b>	<b>519322</b>	<b>Revision: C</b>
<b>Date: Thursday, April 23, 2020</b>			<b>Sheet 2 of 4</b>



SPECTRUM DIGITAL INCORPORATED			
Title: AppIO Novos Module			
Page Contents: COM			
Size: A	DWG NO	519322	Revision: C
Date: Thursday, April 23, 2020			Sheet 3 of 4



SERCOM 1/2		
PA22	PAD0	TX
PA23	PAD1	RX
PA16	PAD2	RTS
PA17	PAD3	CTS



<b>SPECTRUM DIGITAL INCORPORATED</b>			
<b>Title: ApplIO Novos Module</b>			
<b>Page Contents: SWD</b>			
<b>Size: A</b>	<b>DWG NO</b>	<b>519322</b>	<b>Revision: C</b>
<b>Date: Thursday, April 23, 2020</b>		<b>Sheet 4 of 4</b>	