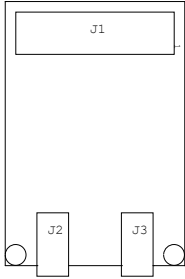
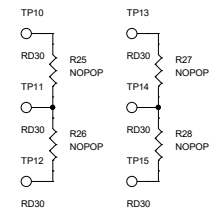
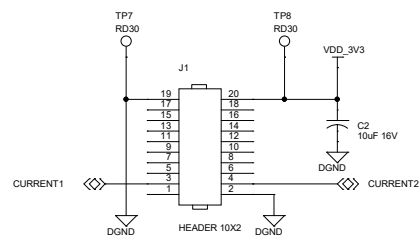
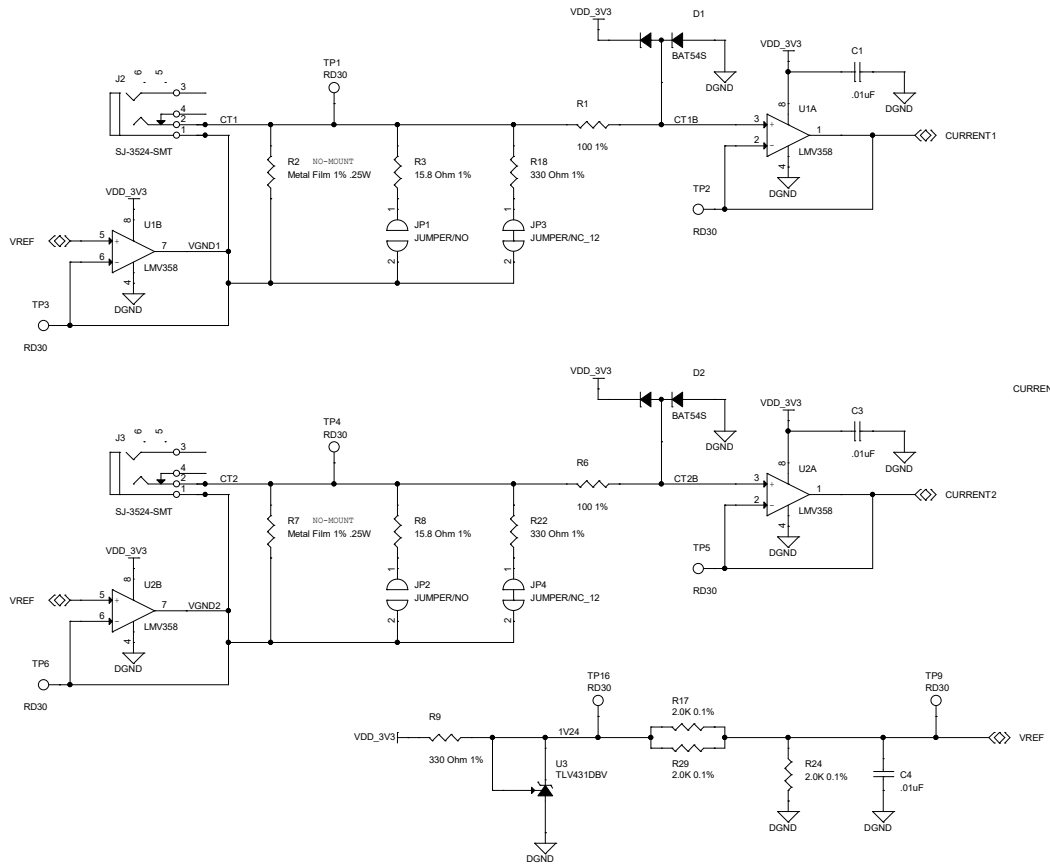


JP3/JP4	V-Output CT
JP1/JP2	I-Output CT



SPECTRUM DIGITAL INCORPORATED			
Title: AppIO 2 CT Input Module			
Page Contents: TITLE			
Size: B	DWG NO	519362	Revision: B
Date: Sunday, April 19, 2020		Sheet 1 of 2	



SPECTRUM DIGITAL			
Title:		ApplO 2 CT Input Module	
Page Contents:		Logic	
Size: B	DWG NO	519362	Revision: B
Date: Sunday, April 19, 2020			Sheet 2 of 2