

Notes:

1.

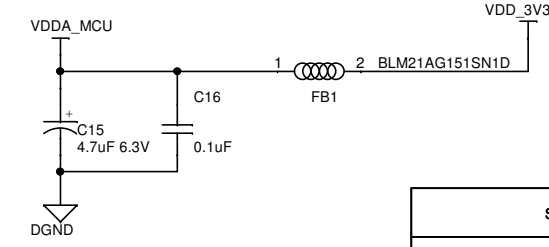
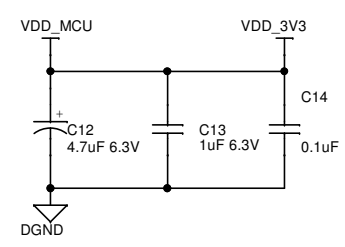
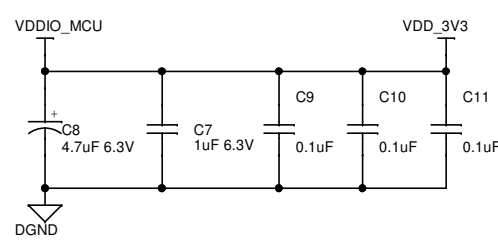
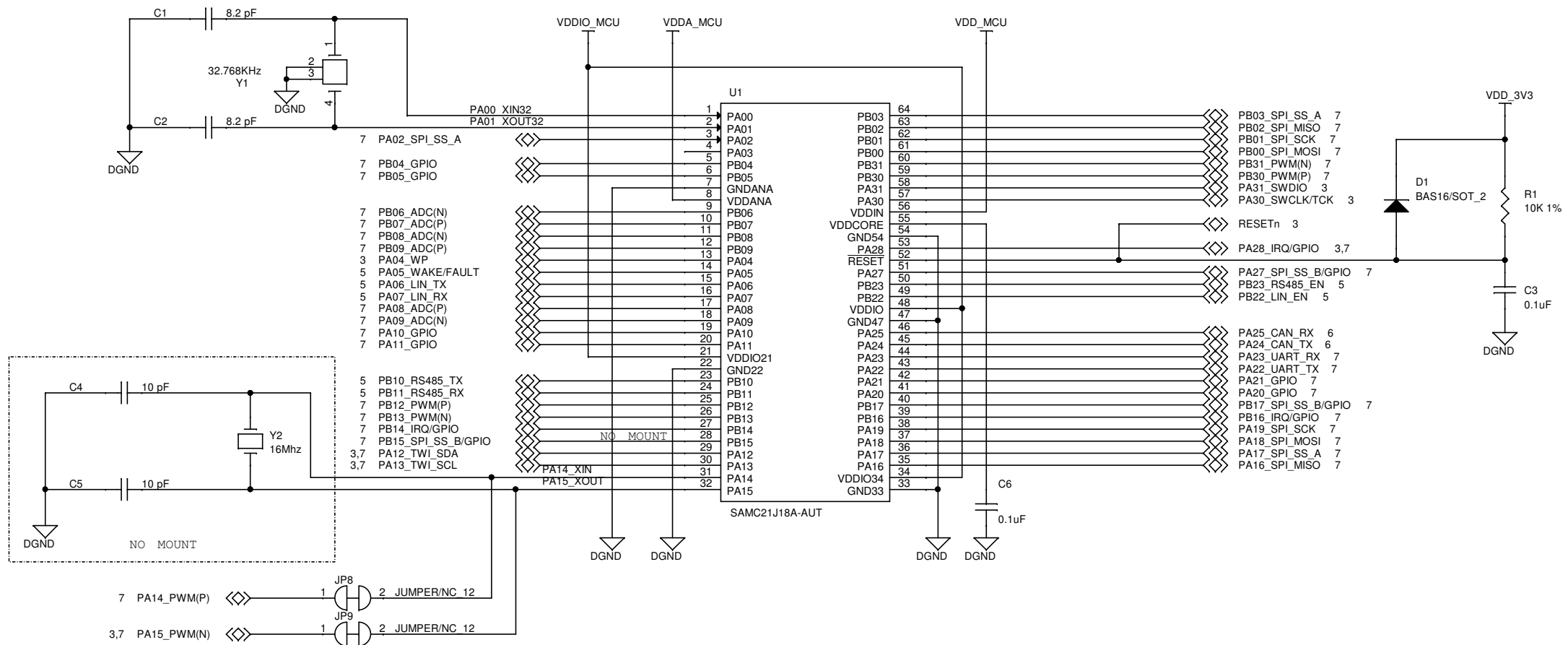
10	9	8	7	6
5	4	3	2	1

J2

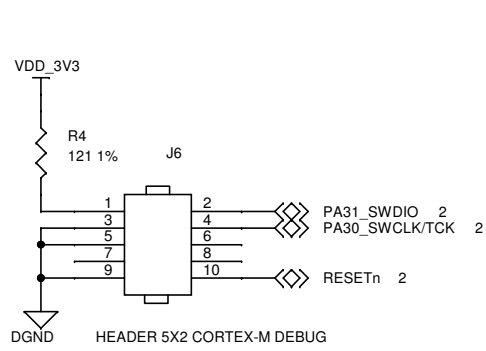
Shared Pins	
PA12_TWI_SDA	EXT1-3, CAT24C512
PA13_TWI_SCL	EXT1-3, CAT24C512
PA14_PWM(P)	EXT3, 16Mhz Crystal
PA15_PWM(N)	EXT3, Green Led, 16Mhz Crystal
PA28_IRQ/GPIO	EXT3, SW1 Switch

SWITCH	Pos	Function
SW2-1	On	RS458 Termination
SW2-2	On	CAN Termination
SW2-3	On	LIN Pullup
SW2-4	Off	RS485 Echo

SPECTRUM DIGITAL INCORPORATED			
Title: C21 APPLICATION BOARD			
Page Contents: TITLE			
Size:B	DWG NO	519092	Revision: C
Date: Friday, March 13, 2020			Sheet 1 of 7

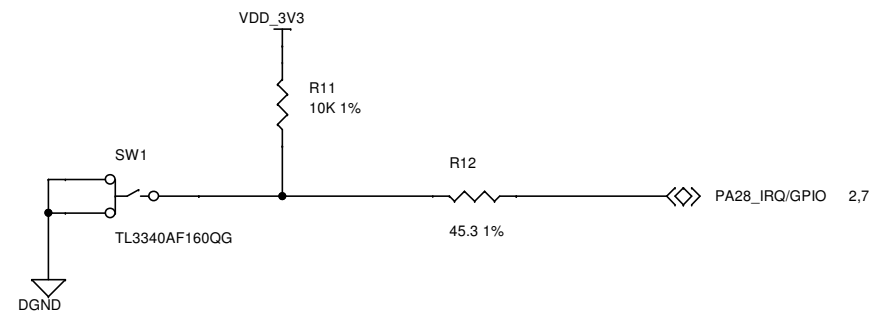
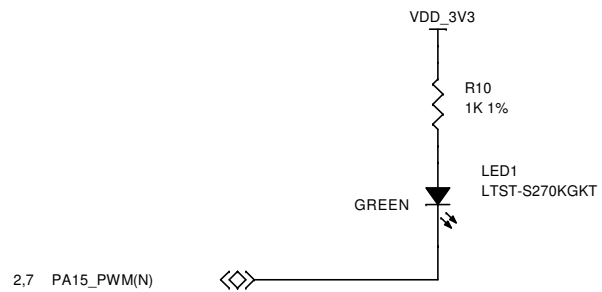
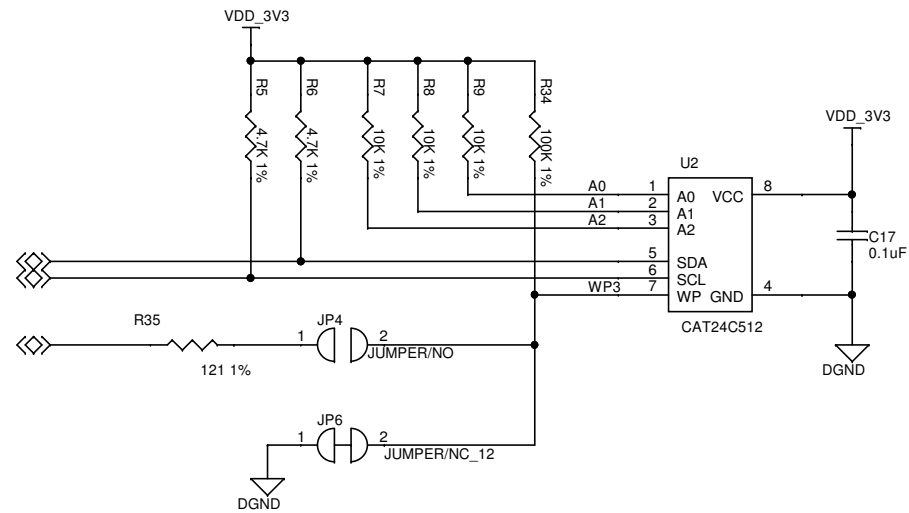


<b>SPECTRUM DIGITAL INCORPORATED</b>			
Title: C21 APPLICATION BOARD			
Page Contents: MCU1			
Size: B	DWG NO	519092	Revision: C
Date: Friday, March 13, 2020			Sheet 2 of 7



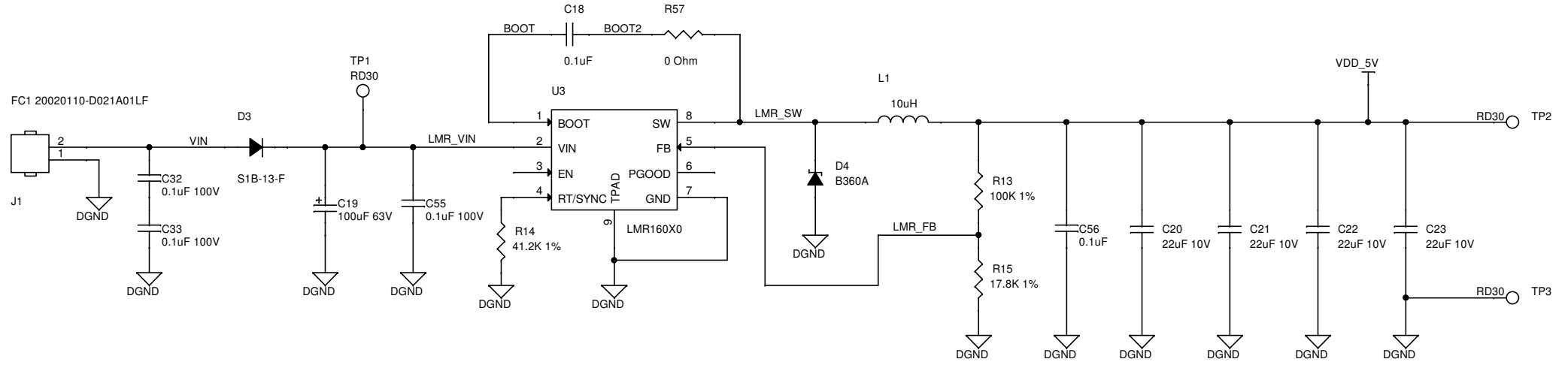
2,7 PA12\_TWL\_SDA  
2,7 PA13\_TWL\_SCL

2 PA04\_WP

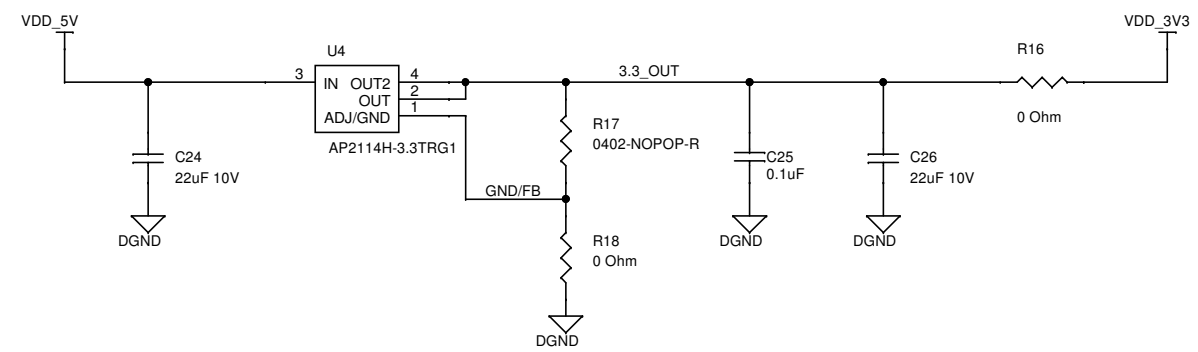


SPECTRUM DIGITAL INCORPORATED			
Title: C21 APPLICATION BOARD			
Page Contents: MCU2			
Size: B	DWG NO	519092	Revision: C
Date: Friday, March 13, 2020			Sheet 3 of 7

12V/24V AC/DC



AZ1117EH-ADJ 442 Ohm 732 Ohm  
AP2114H NO-POP 0 Ohm



SPECTRUM DIGITAL INCORPORATED			
Title: C21 APPLICATION BOARD			
Page Contents: POWER			
Size: B	DWG NO	519092	Revision: C
Date: Friday, March 13, 2020			Sheet 4 of 7

5

4

3

2

1

D

D

C

C

B

B

A

A

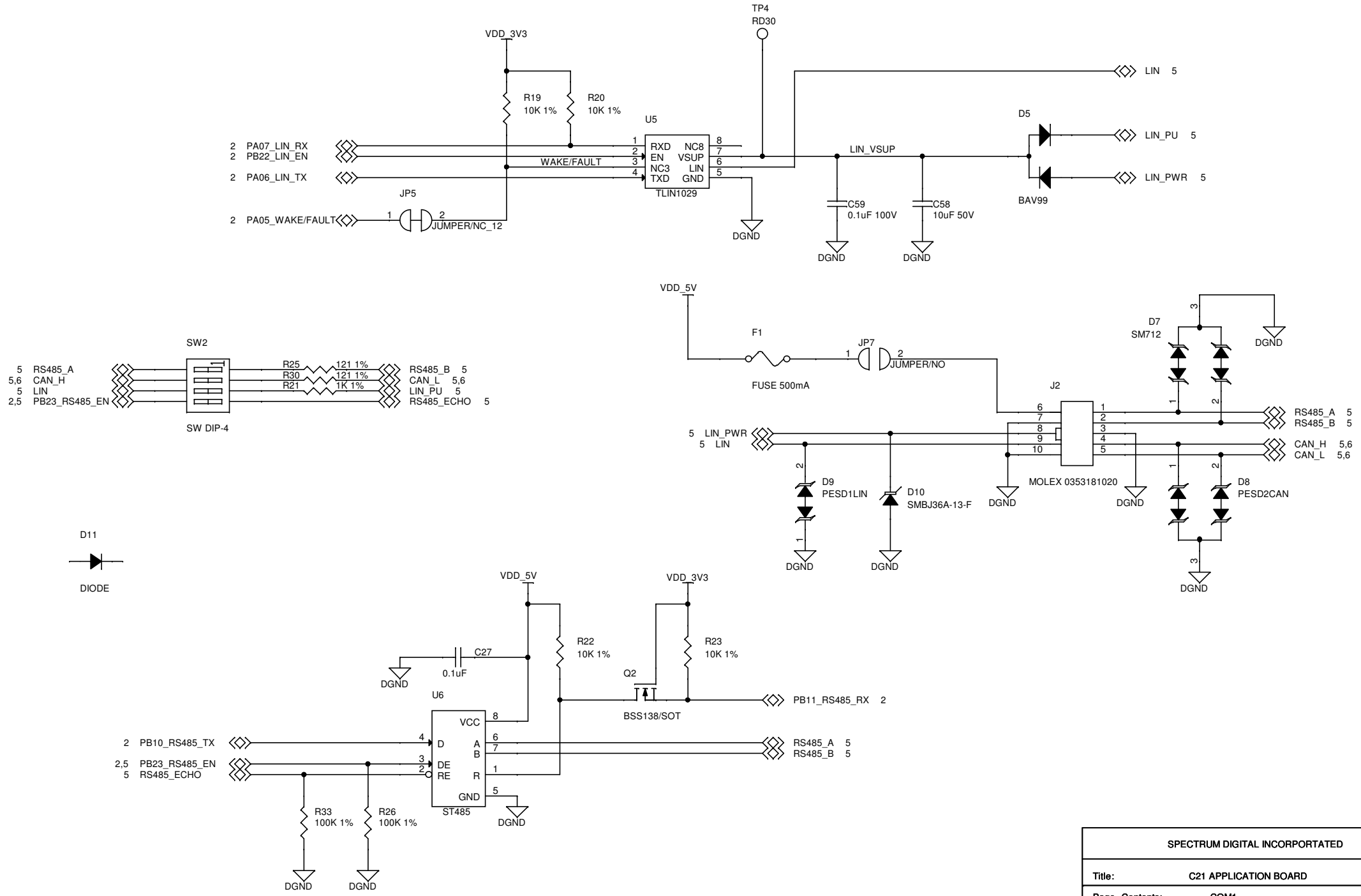
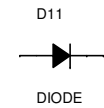
5

4

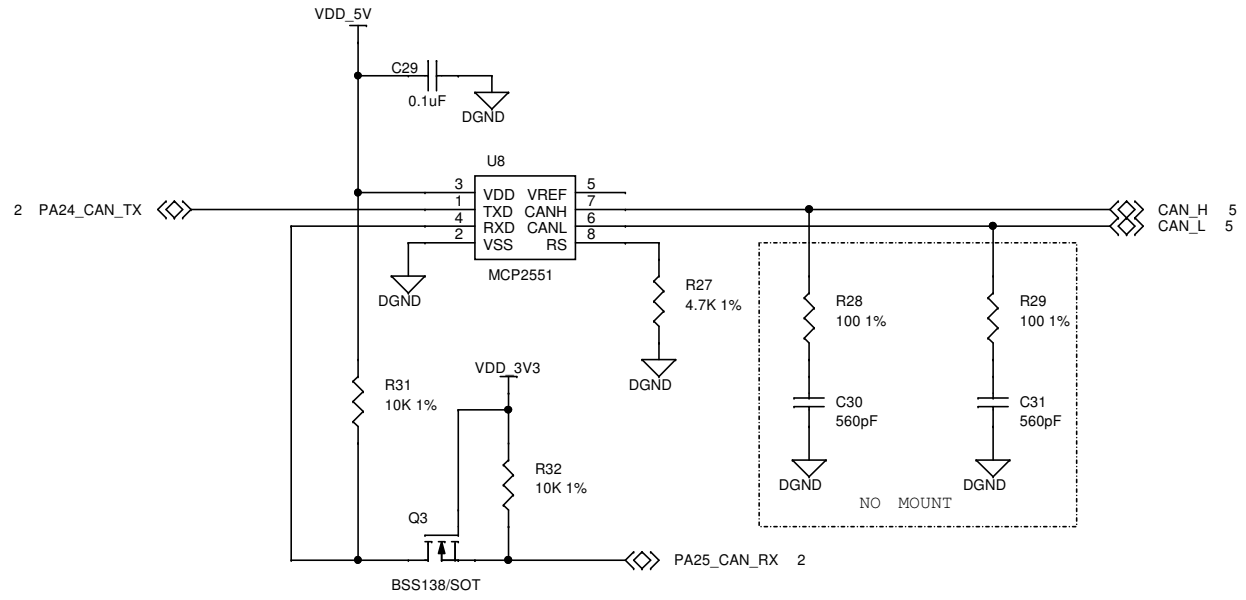
3

2

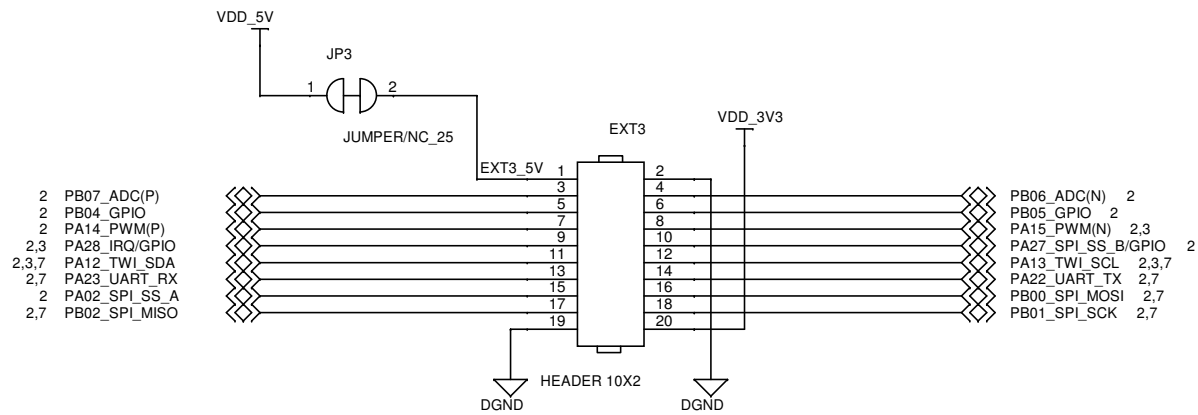
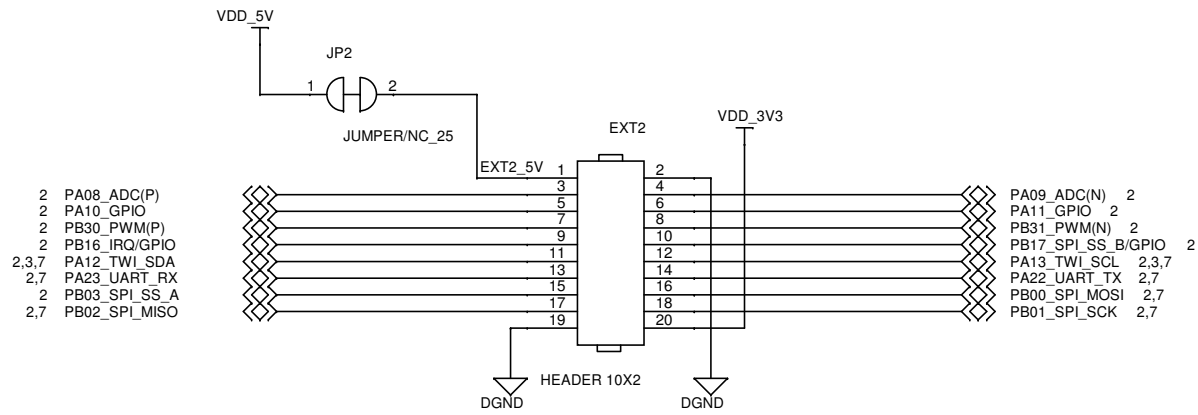
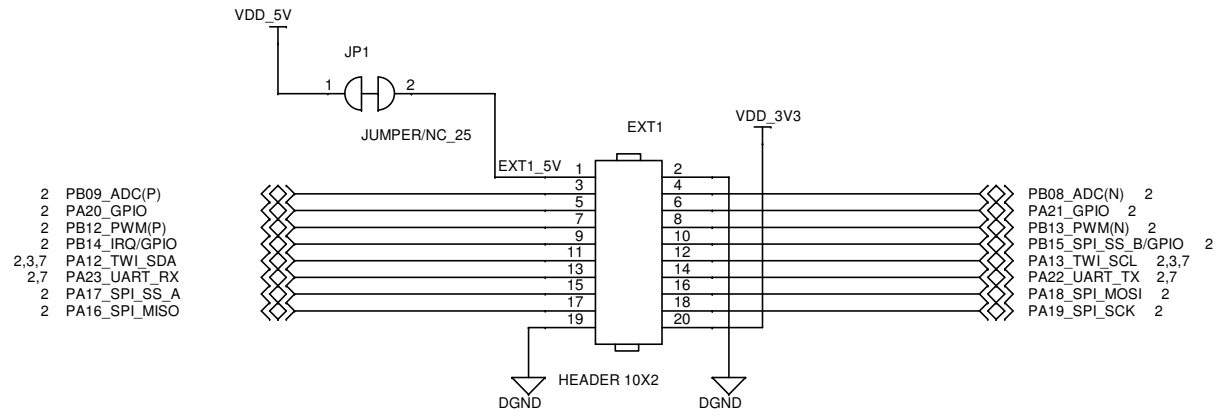
1



<b>SPECTRUM DIGITAL INCORPORATED</b>			
Title: C21 APPLICATION BOARD			
Page Contents: COM1			
Size: B	DWG NO	519092	Revision: C
Date: Friday, March 13, 2020			Sheet 5 of 7



SPECTRUM DIGITAL INCORPORATED			
Title: C21 APPLICATION BOARD			
Page Contents: COM2			
Size: B	DWG NO	519092	Revision: C
Date: Friday, March 13, 2020			Sheet 6 of 7



SPECTRUM DIGITAL INCORPORATED			
Title: C21 APPLICATION BOARD			
Page Contents: EXPANSION			
Size: B	DWG NO	519092	Revision: C
Date: Friday, March 13, 2020			Sheet 7 of 7