



AppBox Power Supply System User's



Specializes in
designing with
Microchip
products

Notice !

Spectrum Digital, Inc (SDI) provides the enclosed product under the following conditions:

The user/customer assumes ALL responsibility and liability for the proper use, storage, and safe handling of the product. Further, the user indemnifies SDI from all claims arising from the use, installation, storage, and handling of the product. Due to the flexibility and open construction of the product, it is the user's responsibility to take all appropriate precautions with regard to powering, attachment of Power Supplies, connection to other equipment, and electrostatic discharge.

Except to the extent of the indemnity set forth above, neither party shall be liable to the other for any indirect, special, incidental, or consequential damages.

SDI assumes no liability for applications assistance, customer product design, system and software performance, or infringements of patents or services described herein.

No license is granted under any patent right or other intellectual property right of SDI covering or relating to any machines, process, software, or combination in which such SDI products or services might be or are used.

SDI currently deals with a variety of customers for products, and therefore our arrangement with the reseller, customer, or user **is not exclusive**.

Please refer to the product web page on the SDI web site for warranty period.

The warranty and return policy are described on the SDI web site.

Mailing address:

Spectrum Digital, Inc
PO Box 1559
Sugar Land, TX. 77487-1559

Web site: www.spectrumdigital.com
Sales: sales@spectrumdigital.com
Support: support@spectrumdigital.com

Copyright Spectrum Digital Inc, © 2020

519228-0001

Table of Contents

Section	Title	Page
1.0	Introduction	4
1.1	AppBox Power Supply Features	4
1.2	AppBox Power Supply Product Contents	4
1.3	AppBox Power Supply Compatibility	4
1.4	Attaching the Power Supply to the AppBox	5
1.5	AppBox Power Supply Schematics	6

1.0 Introduction

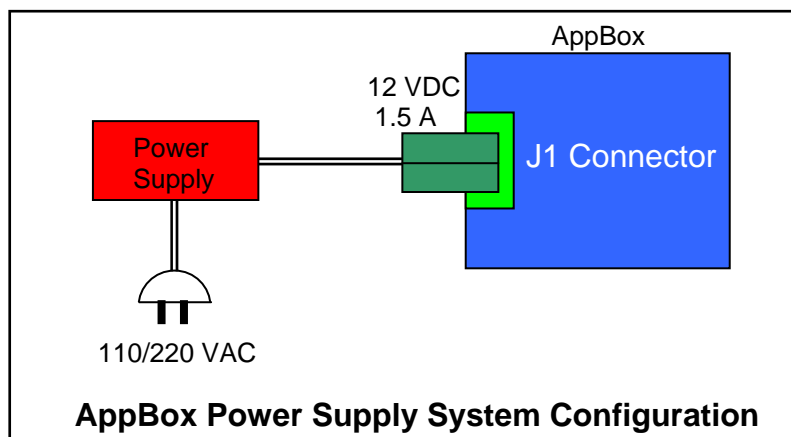
This document describes the AppBox Power Supply (Part/SKU #: 703925-0001) used with the AppBox series of products. This power supply is pre-wired with the correct mating connector to fit all members of the AppBox family (C21/D21/E54/E70).

1.1 AppBox Power Supply Features

This AppBox Power Supply has the following features:

- 110/220 VAC, 50/60 Hz input
- 12 VDC at 1.5 amps output
- Two prong AC plug (US)
- Length: AC plug to power supply: 33 inches (83 cm)
- Length: power supply to screw connector: 56 inches (142 cm)

The diagram below shows the use of the AppBox Power Supply.



1.2 AppBox Power Supply Product Contents

The following items are contained in the AppBox Power Supply product (Part/SKU #: 703923-0001):

- AppBox Power Supply in bag (AC cord, Power supply with AppBox terminal block header attached)
- Product information card

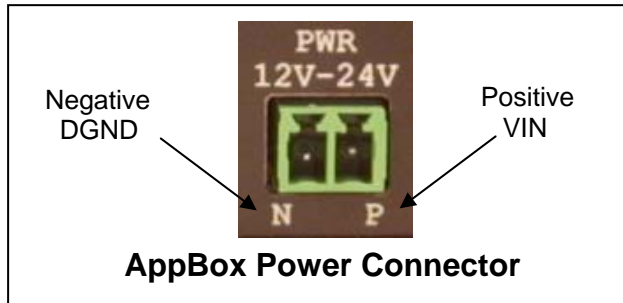
1.3 AppBox Power Supply Compatibility

The AppBox Power Supply is designed to work with the following products which can be ordered from Spectrum Digital or authorized resellers:

Accessory Description	Part/SKU Number
AppBox C21	703909-0001
AppBox D21	703910-0001
AppBox E54	703919-0001
AppBox E70	703911-0001

1.4 Attaching the Power Supply to the AppBox

The AppBox power supply plugs into the AppBox Power Connector which is shown in the figure below. This is a molded, keyed connector to avoid improper hook-up of the voltage.



Listed below are the steps to attach the AppBox Power Supply to an AppBox:

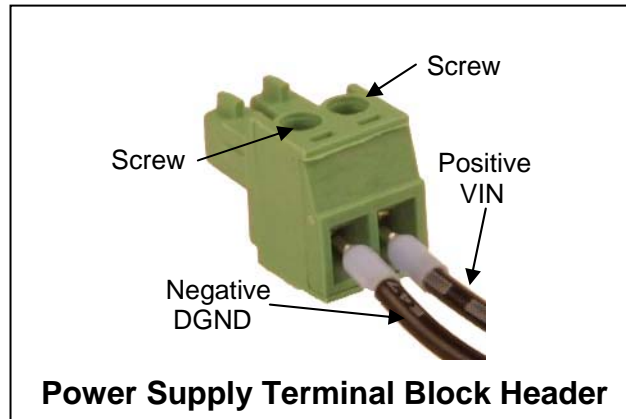
1. Unpack the power supply from the shipping box. You should have 2 items: a) the short power cord, and b) the power supply with the green terminal block header attached.
2. Plug the molded end of the power cord into the power supply as shown in the diagram below.



3. Plug the prong end of the short power cord into a wall power outlet. The wall outlet should provide 110 VAC, 60 Hz, or 220 VAC, 50 Hz. This is shown in the diagram below.



4. With a multi-meter or oscilloscope measure the voltage at the terminal block header to verify +12 VDC is present. Place the meter/scope probes on the 2 screws to measure.



5. Unplug the power cord from the wall outlet.
6. Insert the terminal block header into the power input of the AppBox as shown in the diagram below.



7. Plug the power cord back into the wall outlet.

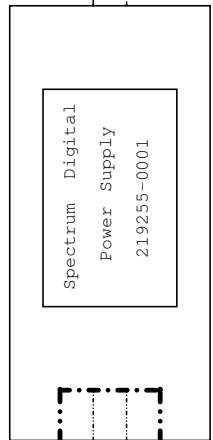
1.5 AppBox Power Supply Schematics

The following pages contain the schematics for the AppBox Power Supply.

NOTES:

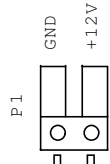
- 1. Label 519260-0001R

PS1



105346-0001R

2X 105347-0001R



White Stripe

SPECTRUM DIGITAL INCORPORATED

Title: 12V 2A DESK POWER SUPPLY

Page Contents: TITLE

Size: A DWG NO 219255

Date: Wednesday, November 20, 2019

Revision: A

Sheet 1 of 1

Spectrum Digital, Inc
PO Box 1559
Sugar Land, TX. 77487-1559

Web site: www.spectrumdigital.com
Sales: sales@spectrumdigital.com
Support: support@spectrumdigital.com

Copyright Spectrum Digital Inc, © 2020

519228-0001