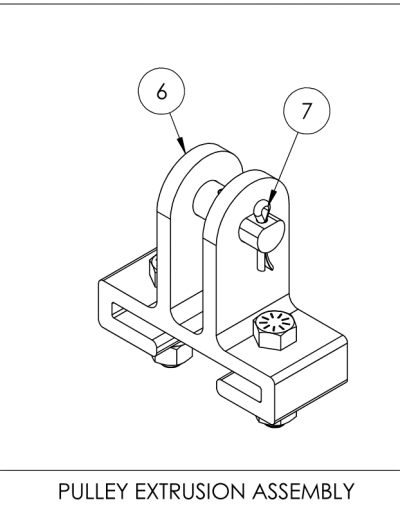
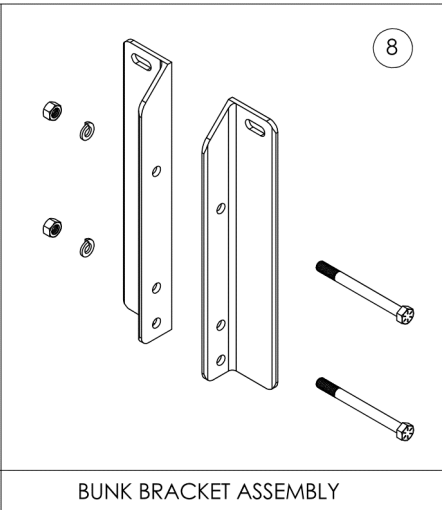
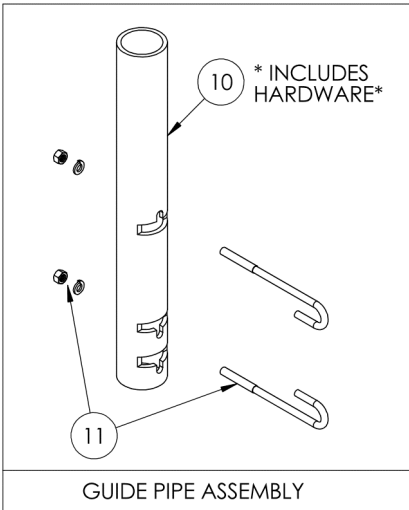
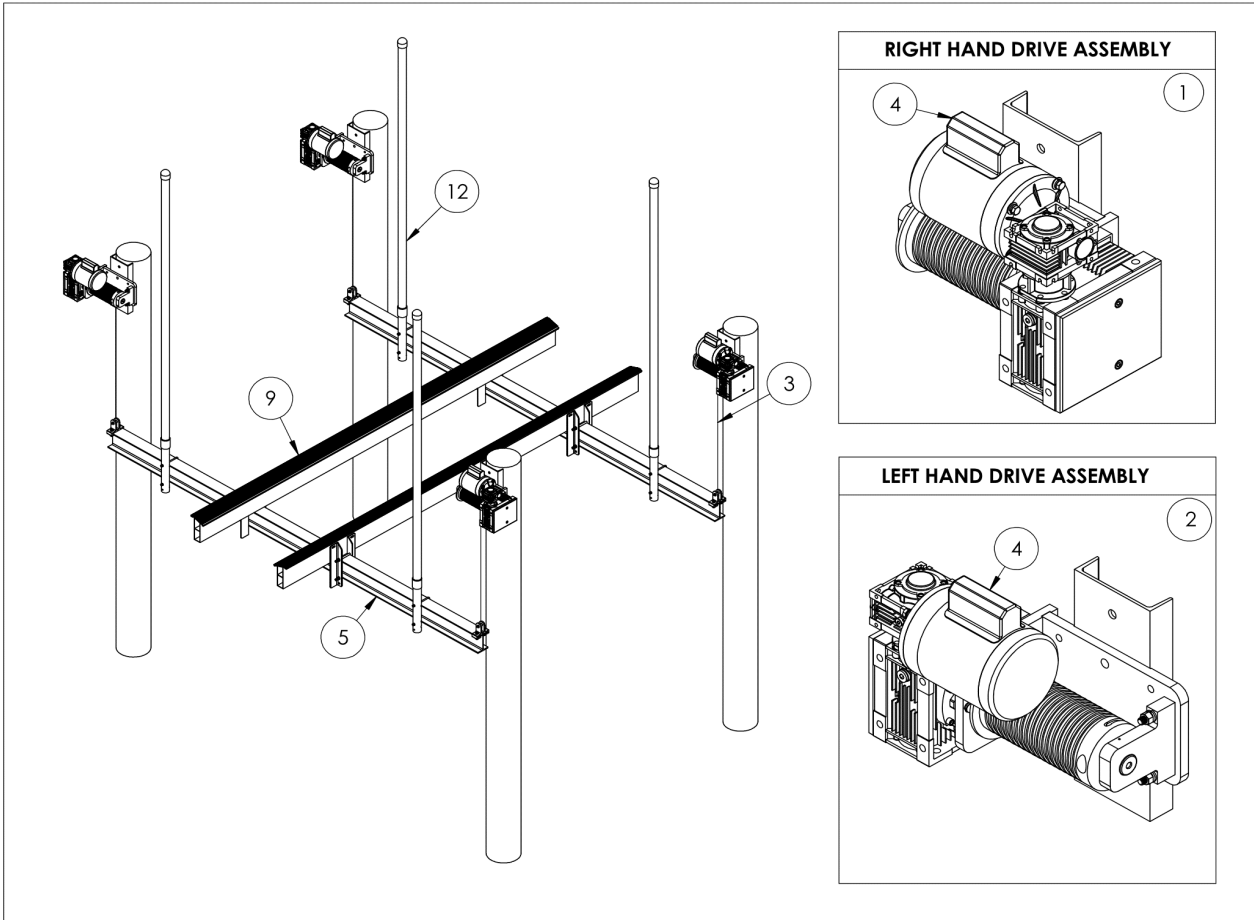


8,000 LB Beamless



Complete Lift

N/A	B-8000-LPD	8,000 LB Beamless Lift with Aluminum Bunks
-----	------------	--

Drive Unit

1	A-2076-RH	8,000LB Beamless Drive Assembly - Right Hand
2	A-2076-LH	8,000LB Beamless Drive Assembly - Left Hand
3	PT-0023	5/16" x 20 FT SS Cable with Hardeye
N/A	PT -0031	5/16" Aluminum Cable Swedge

Motor & Wiring

4	C-1058	Tide Tamer 1 HP Stainless C-Face Motor w/ Mounting Hardware (3/8" x 1" SS Bolt, FW & LW) x 4
N/A	C-1026	SJT 12/5 Electric Motor Cable (PER FT, Min 10ft)

Remote

N/A	C-1033	TEC IV A/C Remote Control Unit (LIMIT SWITCH SOLD SEPERATELY)
N/A	C-1064	TEC Remote Transmitter Tear Drop (New Style)

Cradle

5	B 7006	7,000 LB-8,000 LB Complete Cradle w/ Alum Bunks (Pulleys, Bunks, Brackets, Guide Poles, Weights w/ all Hardware)
6	PC-0010	Pulley Extrusion (5K - 8K) w/ Hardware (1/2" x 2" SS Bolt, LW & Nut) x 2 (No Axle Shaft or Cotter Pin)
7	PC-0017	3/4" x 2-3/8" Stainless D-Shaped Axle Shaft w/ Grease Fitting and Cotter Pin, For Pulley Extrusions
8	PC-0001	Bunk Bracket 1,500 LB - 9,000 LB Lift (1 LH & RH Bracket) w/ Hardware (1/2" x 5-1/2" SS Bolt, LW, Nut) x 2
9	AC-1084	2.7" x 8" x 12ft Aluminum Cradle Bunk (each) w/ Vinyl Pad (Not Drilled, 3,000LB to 13,000LB)
N/A	PC-0021	HW Box For 15k-24k LB Alum Bunks & Piling Strap/Mount (1/2"x4" SS Bolt,FW,LW & Nut)x8 (1/2"x2" Lag Bolts) x 8

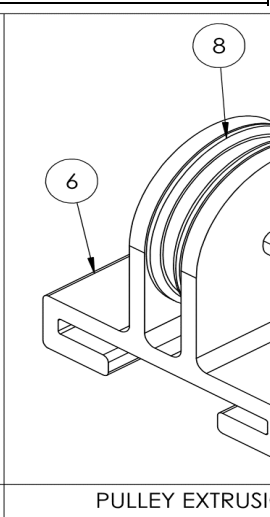
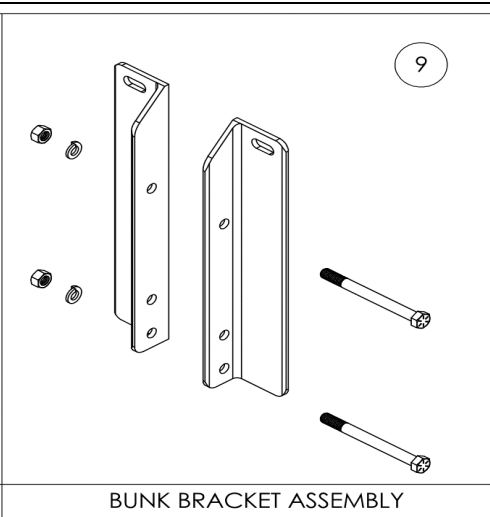
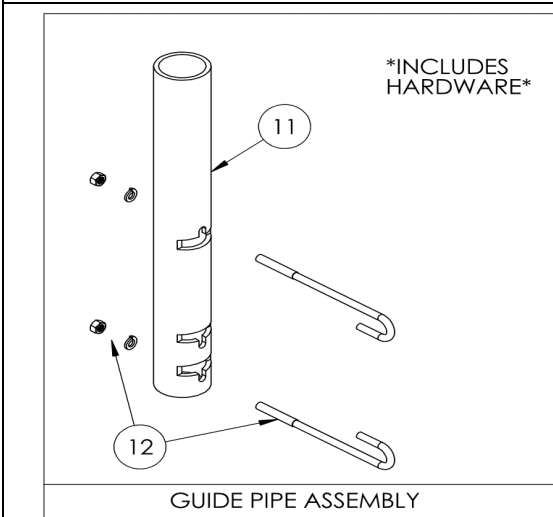
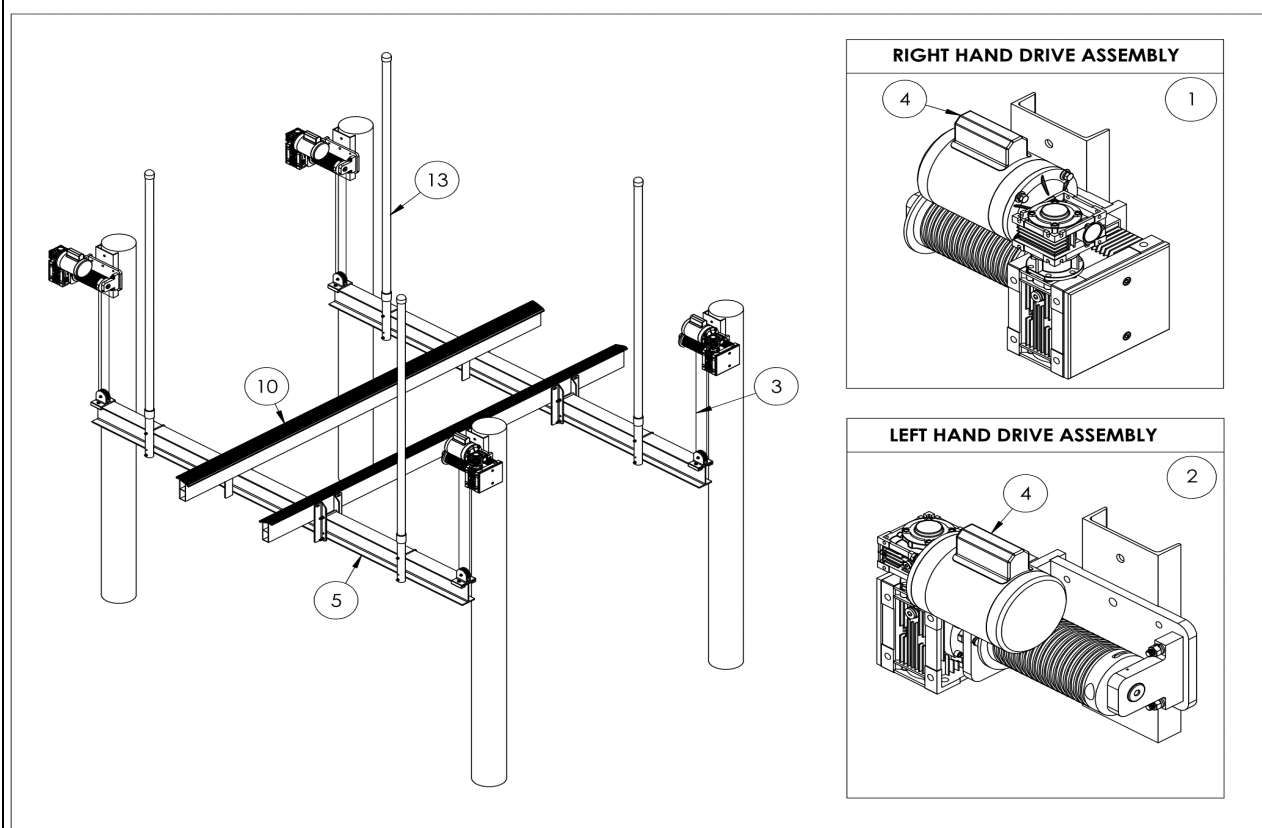
Guide Post

10	PS-0017	Guide Pipe For 10,000LB-13,000LB LIFT (each) w/ Hardware (3/8"-16 x 7-7/8" SS J-Bolt, LW & Nut) x 2
11	PC-0016	Fastener Kit For Guide Pipe on 10k & 13k (1 pipe) (3/8" x 7-7/8" SS J-Bolt, LW & Nut) x 2
12	PC-0006	10' PVC For 4 Piling Lift (each)
N/A	PC-0004	40" Guide Post Weight (each)

Beamless Limit Switch

1	C-1105	Beamless Lift Rotary Limit Switch Kit w/Limit Switch Mt Plate,HW,Spool Adapter, Jam Nut, Switch Shaft & Wire
2	C-1106	Beamless Rotary Limit Switch w/ Spool Adapter and Hardware
3	C-1107	Beamless Lift Limit Switch Mount w/ Hardware (1/2" x 1.5" Hex Bolt, LW & Nut)
4	C-1108	Beamless Spool Limit Switch Adapter with Jam nut (1/2" Hex Nut)
5	C-1147	Beamless Lift Limit Switch Shaft

12,000 LB Beamless



Complete Lift

N/A	B-12000-LPD	12,000 LB Beamless Lift with Aluminum Bunks
-----	-------------	---

Drive Unit

1	A-2147-RH	12,000LB- 16,000LB Beamless Drive Assembly - Right Hand
2	A-2147-LH	12,000LB - 16,000 Beamless Drive Assembly - Left Hand
3	C-1137	5/16" x 35 FT SS Cable with Hardeye
N/A	PT -0031	5/16" Aluminum Cable Swedge

Motor & Wiring

4	C-1058	Tide Tamer 1 HP Stainless C-Face Motor w/ Mounting Hardware (3/8" x 1" SS Bolt, FW & LW) x 4
N/A	C-1026	SJT 12/5 Electric Motor Cable (PER FT, Min 10ft)

Remote

N/A	C-1033	TEC IV A/C Remote Control Unit (LIMIT SWITCH SOLD SEPERATELY)
N/A	C-1064	TEC Remote Transmitter Tear Drop (New Style)

Cradle

5	B 13006	13,000 LB Complete Cradle w/ Alum Bunks (Pulleys, Bunks, Brackets, Guide Poles, Weights w/ all Hardware)
6	PC-0011	Pulley Extrusion (10K - 13K) w/ Hardware (1/2" x 2" SS Bolt, LW & Nut) x 2 (No Roller, Axle Shaft or Cotter Pin)
N/A	PC-0009	4" Aluminum Pulley, 3/4" x 2-3/8" D-Shaped Axle Shaft & Cotter Pin
7	PC-0017	3/4" x 2-3/8" Stainless D-Shaped Axle Shaft w/ Grease Fitting and Cotter Pin, For Pulley Extrusions
8	PC-0015	4" Aluminum Pulley (each), No Hardware
9	PS-0014	Bunk Bracket 10,000LB - 13,000LB Lift (1 LH & RH Bracket) w/ Hardware (1/2" x 7" SS Bolt, LW, Nut) x 2
10	AC-1084	2.7" x 8" x 12ft Aluminum Cradle Bunk (each) w/ Vinyl Pad (Not Drilled, 3,000LB to 13,000LB)
N/A	PC-0021	HW Box For 15k- 24k Alum Bunks & Piling Strap/Mount (1/2"x 4" SS Bolt, FW, LW & Nut) x 8 (1/2"x2" Lag Bolts) x 8

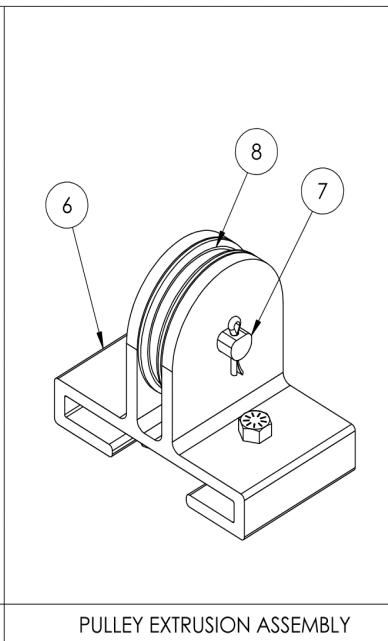
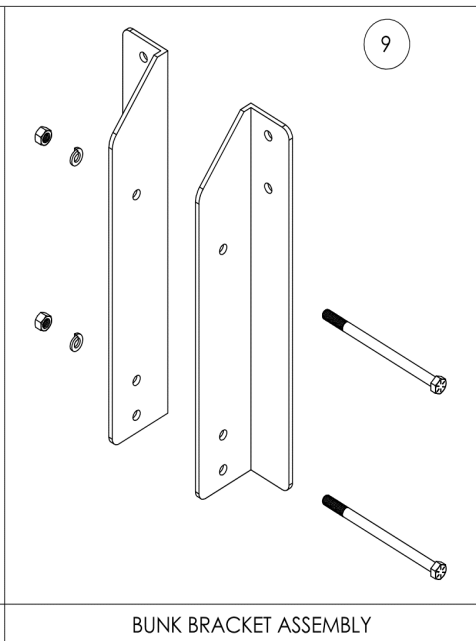
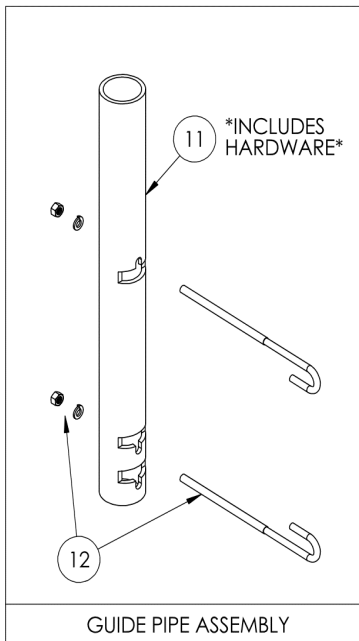
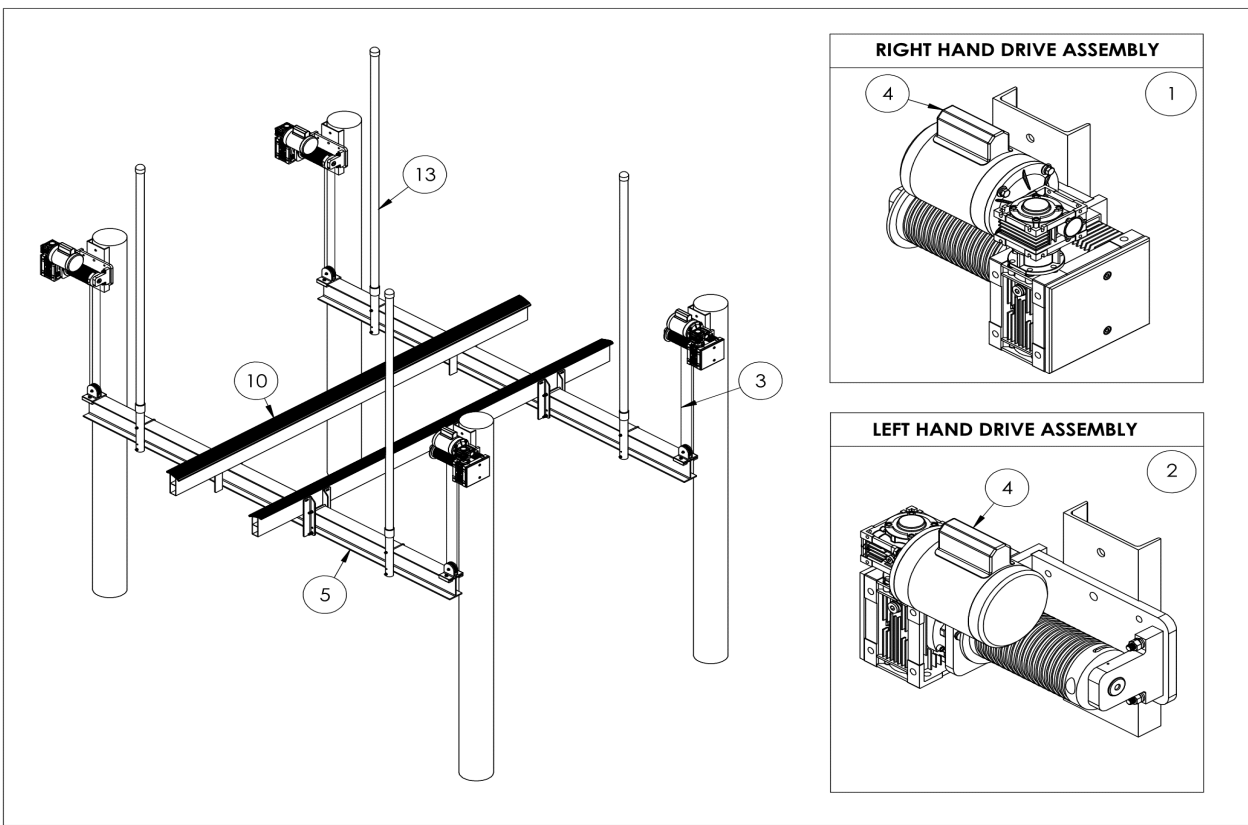
Guide Post

11	PS-0017	Guide Pipe For 10,000LB-13,000LB LIFT (each) w/ Hardware (3/8"-16 x 7-7/8" SS J-Bolt, LW & Nut) x 2
12	PC-0016	Fastener Kit For Guide Pipe on 10k & 13k (1 pipe) (3/8" x 7-7/8" SS J-Bolt, LW & Nut) x 2
13	PC-0006	10' PVC For 4 Piling Lift (each)
N/A	PC-0004	40" Guide Post Weight (each)

Beamless Limit Switch

1	C-1105	Beamless Lift Rotary Limit Switch Kit w/ Limit Switch Mount Plate, HW, Spool Adapter, Jam Nut, Switch Shaft & Wire
2	C-1106	Beamless Rotary Limit Switch w/ Spool Adapter and Hardware
3	C-1107	Beamless Lift Limit Switch Mount w/ Hardware (1/2" x 1.5" Hex Bolt, LW & Nut)
4	C-1108	Beamless Spool Limit Switch Adapter with Jam nut (1/2" Hex Nut)
5	C-1147	Beamless Lift Limit Switch Shaft

16,000 LB Beamless



Complete Lift

N/A	B-16000-LPD	12,000 LB Beamless Lift with Aluminum Bunks
-----	-------------	---

Drive Unit

1	A-2147-RH	12,000LB- 16,000LB Beamless Drive Assembly - Right Hand
2	A-2147-LH	12,000LB - 16,000 Beamless Drive Assembly - Left Hand
3	C-1145	3/8" x 35 FT SS Cable with Hardeye
N/A	C-1083	3/8" Aluminum Cable Swedge

Motor & Wiring

4	C-1058	Tide Tamer 1 HP Stainless C-Face Motor w/ Mounting Hardware (3/8" x 1" SS Bolt, FW & LW) x 4
N/A	C-1026	SJT 12/5 Electric Motor Cable (PER FT, Min 10ft)

Remote

N/A	C-1033	TEC IV A/C Remote Control Unit (LIMIT SWITCH SOLD SEPERATELY)
N/A	C-1064	TEC Remote Transmitter Tear Drop (New Style)

Cradle

5	B 16006	16,000 LB Complete Cradle w/ Alum Bunks (Pulleys, Bunks, Brackets, Guide Poles, Weights w/ all Hardware)
6	PC-0023	Pulley Extrusion (16K) w/ Hardware (1/2" x 2" SS Bolt, & Nut) x 2 (No Roller, Axle Shaft or Cotter Pin)
N/A	PC-0009	4" Aluminum Pulley, 3/4" x 2-3/8" D-Shaped Axle Shaft & Cotter Pin
7	PC-0017	3/4" x 2-3/8" Stainless D-Shaped Axle Shaft w/ Grease Fitting and Cotter Pin, For Pulley Extrusions
8	PC-0015	4" Aluminum Pulley (each), No Hardware
9	PC-0002	Bunk Bracket 16,000LB - 20,000LB Lift (1 LH & RH Bracket) w/ Hardware (1/2" x 8" SS Bolt, LW, Nut) x 2
10	AC-1086	2.7" x 10" x 14ft Aluminum Cradle Bunk (each) w/ Vinyl Pad
N/A	PC-0021	HW Box For 15k-24k Alum Bunks & Piling Strap/Mount (1/2" x 4" SS Bolt, FW, LW & Nut)x16, (1/2" x 2" Lag Bolts) 8

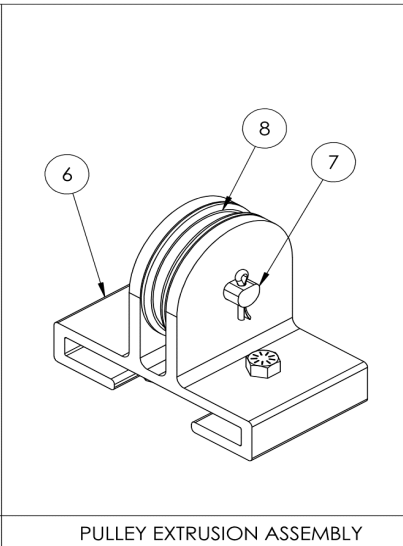
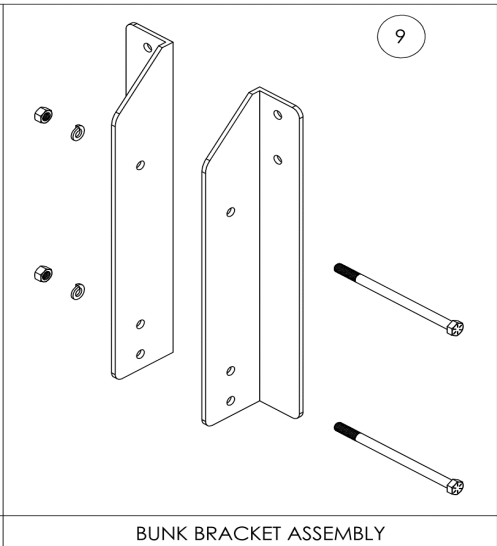
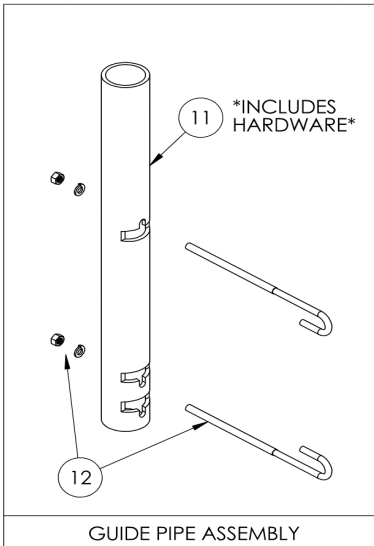
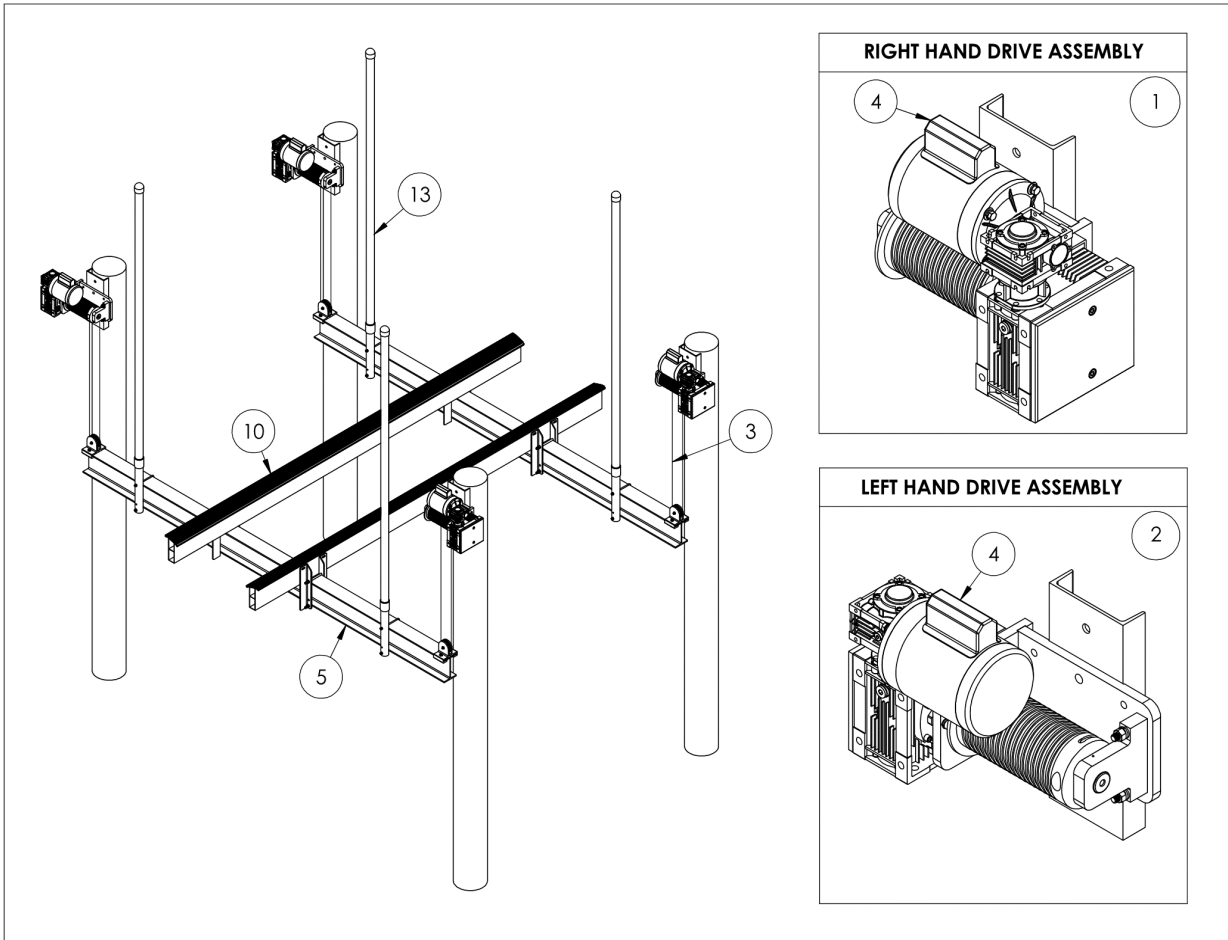
Guide Post

11	PC-0003	Guide Pipe For 16,000LB-24,000LB Lift (each) w/ Hardware (3/8"-16 x 9-7/8" SS J-Bolt, LW & Nut) x 2
12	PC-0024	Fastener Kit For 1 Guide Pipe on 16,000 LB - 24,000 LB Lift (3/8" x 9-7/8" SS J-Bolt, LW & Nut) x 2
13	PC-0006	10' PVC For 4 Piling Lift (each)
N/A	PC-0004	40" Guide Post Weight (each)

Beamless Limit Switch

1	C-1105	Beamless Lift Rotary Limit Switch Kit w/ Limit Switch Mount Plate, HW, Spool Adapter, Jam Nut, Switch Shaft & Wire
2	C-1106	Beamless Rotary Limit Switch w/ Spool Adapter and Hardware
3	C-1107	Beamless Lift Limit Switch Mount w/ Hardware (1/2" x 1.5" Hex Bolt, LW & Nut)
4	C-1108	Beamless Spool Limit Switch Adapter with Jam nut (1/2" Hex Nut)
5	C-1147	Beamless Lift Limit Switch Shaft

20,000 LB Beamless



Complete Lift

N/A	B-20000-LPD	12,000 LB Beamless Lift with Aluminum Bunks
-----	-------------	---

Drive Unit

1	A-2149-RH	20,000LB Beamless Drive Assembly - Right Hand
2	A-2149-LH	20,000 Beamless Drive Assembly - Left Hand
3	C-1145	5/16" x 35 FT SS Cable with Hardeye
N/A	PT -0031	5/16" Aluminum Cable Swedge

Motor & Wiring

4	C-1058	Tide Tamer 1 HP Stainless C-Face Motor w/ Mounting Hardware (3/8" x 1" SS Bolt, FW & LW) x 4
N/A	C-1026	SJT 12/5 Electric Motor Cable (PER FT, Min 10ft)

Remotes & Limit Switches

N/A	C-1033	TEC IV A/C Remote Control Unit (LIMIT SWITCH SOLD SEPERATELY)
N/A	C-1064	TEC Remote Transmitter Tear Drop (New Style)

Cradle

5	B 20006	20,000 LB Beamless Cradle Kit w/ Alum Bunks (Pulleys, Bunks, Brackets, Guide Poles, Weights w/ all Hardware)
6	PC-0023	Pulley Extrusion (16K) w/ Hardware (1/2" x 2" SS Bolt, & Nut) x 2 (No Roller, Axle Shaft or Cotter Pin)
N/A	PC-0009	4" Aluminum Pulley, 3/4" x 2-3/8" D-Shaped Axle Shaft & Cotter Pin
7	PC-0017	3/4" x 2-3/8" Stainless D-Shaped Axle Shaft w/ Grease Fitting and Cotter Pin, For Pulley Extrusions
8	PC-0015	4" Aluminum Pulley (each), No Hardware
9	PC-0002	Bunk Bracket 16,000LB - 20,000LB Lift (1 LH & RH Bracket) w/ Hardware (1/2" x 8" SS Bolt, LW, Nut) x 2
10	AC-1086	2.7" x 10" x 14ft Aluminum Cradle Bunk (each) w/ Vinyl Pad
N/A	PC-0021	HW Box For 15kLB-24k LB Alum Bunks & Piling Strap/Mount, 1/2"x 4" SS Bolt, FW, LW & Nut, x16(1/2"x2"Lag Bolts) x 8

Guide Post

11	PC-0003	Guide Pipe For 16,000LB-24,000LB Lift (each) w/ Hardware (3/8"-16 x 9-7/8" SS J-Bolt, LW & Nut) x 2
12	PC-0024	Fastener Kit For 1 Guide Pipe on 16,000 LB - 24,000 LB Lift (3/8" x 9-7/8" SS J-Bolt, LW & Nut) x 2
13	PC-0006	10" PVC For 4 Piling Lift (each)
N/A	PC-0004	40" Guide Post Weight (each)

Beamless Limit Switch

1	C-1105	Beamless Lift Rotary Limit Switch Kit / Limit Switch Mt Plate, HW, Spool Adapter, Jam Nut, Switch Shaft & Wire
2	C-1106	Beamless Rotary Limit Switch w/ Spool Adapter and Hardware
3	C-1107	Beamless Lift Limit Switch Mount w/ Hardware (1/2" x 1.5" Hex Bolt, LW & Nut)
4	C-1108	Beamless Spool Limit Switch Adapter with Jam nut (1/2" Hex Nut)
5	C-1147	Beamless Lift Limit Switch Shaft