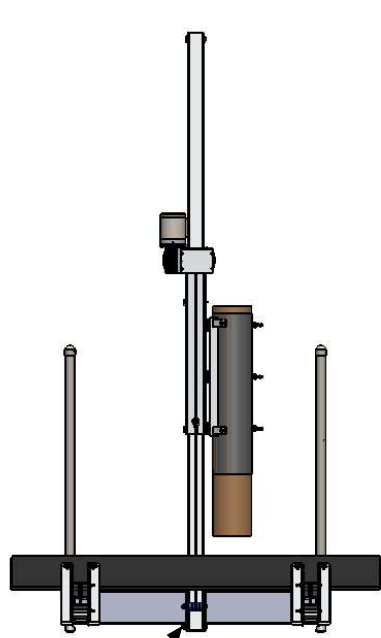
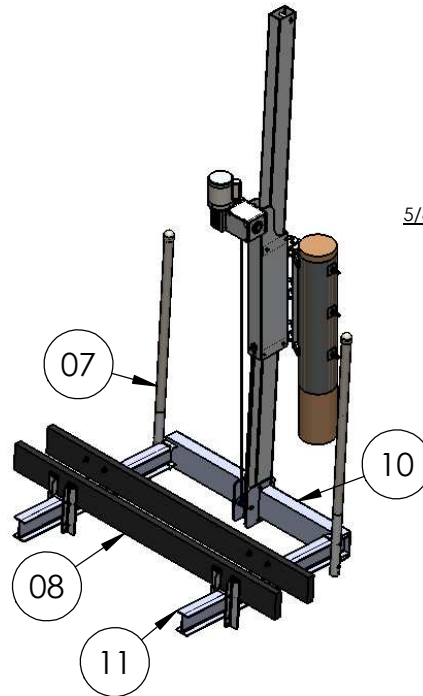
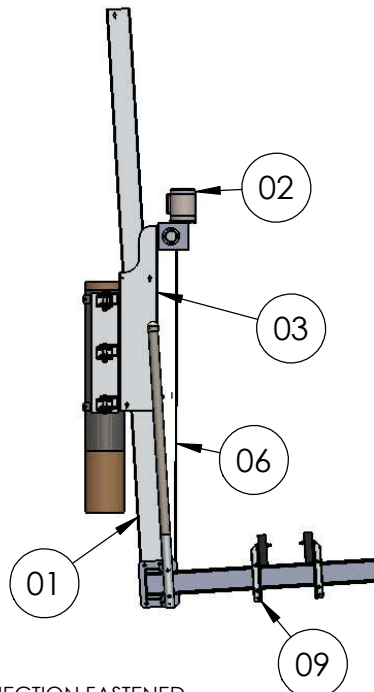


SINGLE PILING/SINGLE MOTOR, 1500 SWINGER LIFT

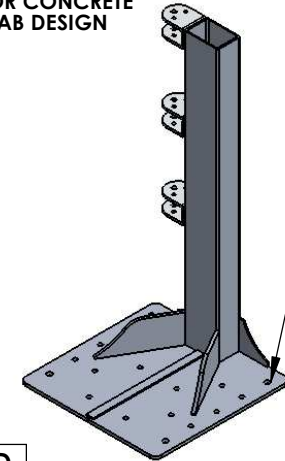


MAST TO ARM CONNECTION FASTENED WITH (6) 1/2" SS BOLTS W/ WASHERS AND NUTS

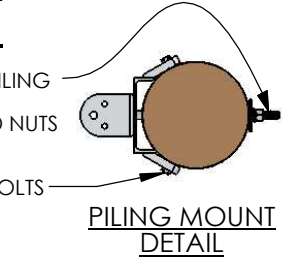


5/8" SS CONCRETE ANCHORS (NOT PROVIDED)

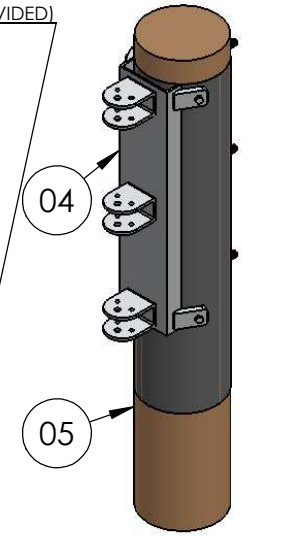
INSTALLER RESPONSIBLE FOR CONCRETE SLAB DESIGN



SEAWALL MOUNT
ISO



PILING MOUNT
DETAIL



PILING MOUNT
ISO

NOTE: ALL OTHER BOLTS NOT SPECIFICALLY NUMBERED ARE FASTENED WITH 1/2" SS BOLTS WITH WASHERS AND NUTS.

	01	02	03	04	05	06	07	08	09	10	11	
CAPACITY	MAST	MOTOR	MAST HOUSING ASSEMBLY	PILING MOUNT BRACKET	PILING SIZE	CABLE	GUIDE POST	BUNKS	BUNK BRACKETS	CRADLE BEAMS	CRADLE ARMS	ARM LENGTH
1500 LBS.	.25" X 4" X 6" ALUMINUM TUBE	1 H.P.	1/4" X 5" X 10" ALUMINUM TUBE	.23" X 2.11" X 7.0" AMERICAN NAT. STANDARD ALUMINUM CHANNEL	10" DIA.	1/4" DIA. SS DOUBLE PULL	1.5" SCH. 40 ALUMINUM 3/8" SS J-BOLTS	2" X 8" X 72" CARPETED TREATED WOOD	.25" X 2" X 3" ALUMINUM ANGLE	.25" X 4" X 8" ALUMINUM TUBE	.19/.29 X 4" X 6" ALUMINUM I-BEAM	66"

NOTE: THIS STRUCTURE WILL WITHSTAND WIND SPEEDS UP TO 150 MPH CALCULATED PER F.B.C 2017 (6TH EDITION) AND ASCE 7-05. VESSELS SHALL NOT BE STORED ON LIFT DURING HIGH WIND EVENTS.

ENGINEERS SEAL

STRUCTURAL ENGINEERING REVIEW

THE GRAVITY AND WIND LOADS FOR THIS CONSTRUCTION HAVE BEEN CALCULATED AND THE MAIN WIND FORCE RESISTING SYSTEM AND COMPONENTS AND CLADDING OF THIS BUILDING DESIGN DO COMPLY WITH FLORIDA BUILDING CODE 2017

PROPRIETARY AND CONFIDENTIAL

THE INFORMATION CONTAINED IN THIS DRAWING IS THE SOLE PROPERTY OF TIDE TAMER INDUSTRIES. ANY REPRODUCTION IN PART OR AS A WHOLE WITHOUT THE WRITTEN PERMISSION OF TIDE TAMER INDUSTRIES IS PROHIBITED.

MANUFACTURED BY TIDE TAMER INDUSTRIES

PH: 800-325-1116
FAX: 252-747-4377
TIDETAMER.COM
P.O. BOX 1118
SNOW HILL, NC 28580

DO NOT SCALE DRAWING

	NAME	DATE
DRAWN	ACC	5-10-19
CHECKED		
ENG APPR.		

COMMENTS:

TITLE:

**1500 SWINGER
ENGINEERING SHEET**

SIZE	DWG. NO.	REV
A	ENGINEERING	2

SCALE: AS NOTED

SHEET 1 OF 1