

truflo[®]

Clamp Saddles LSS Series

Truflo offers to the market one of the most Complete ranges in clamp saddles, both in measurement and variety with single or double outlets and with or without reinforcement.

truflo[®]

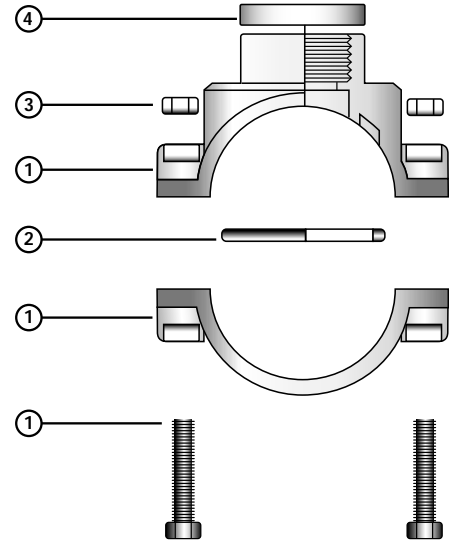


Clamp Saddles LSS Series

Technical Information

1. Truflo Clamp Saddles can be used either with P.E. or P.V.C. Pipes
2. The Use of teflon tape is advised.

Working Temperature	Working Nominal Diameter of Pipe		
	2" PN PSI	3", 4", 6" PN PSI	8" PN PSI
-4 to 68 °C	232 PSI	150 PSI	95 PSI
-4 to 140 °C	95 PSI	95 PSI	95 PSI
-40 to 176 °C	60 PSI	60 PSI	60 PSI



Pressure

2"	232 PSI
3", 4", 6"	145 PSI
8"	87 PSI

Materials

1. PPGF. - Polypro Glass Filled
2. O-ring
3. 316 SSt
4. Reinforced Outlet 316 SSt



1. Use a clamp Saddle as a template to mark the hole
2. Use an appropriate tool to make the hole.
3. Clean away any shaving and place the O-ring in position, align the outlet with the hole and screw in place.