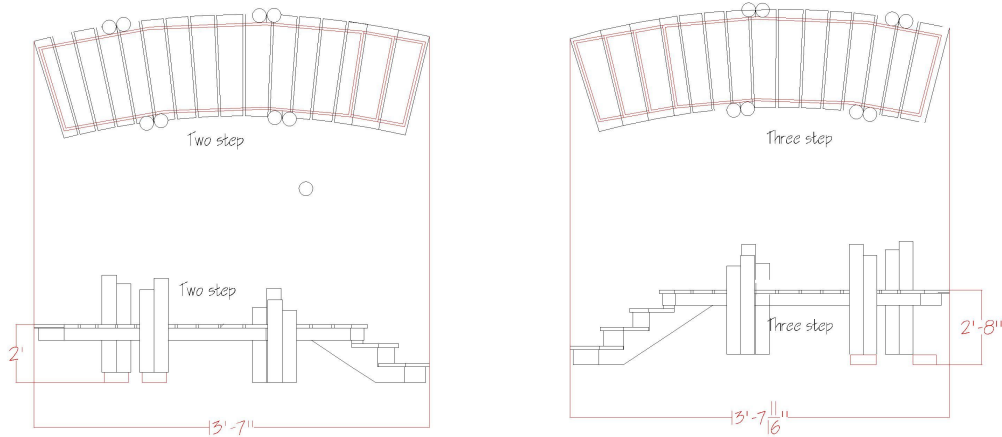
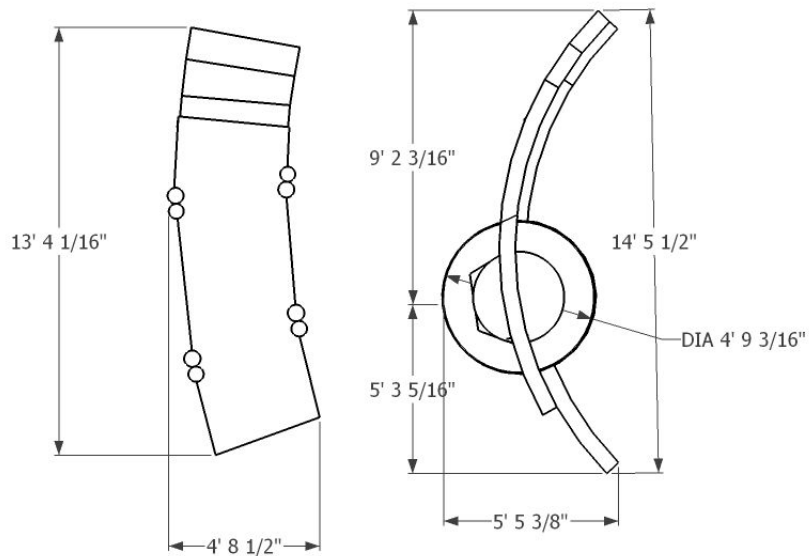


## Mamma Mia Set

1.) Rolling Docks (2) - 13' 7" x 4' 8 1/2"



2.) Rolling Taverna units (2) - 14' 5 1/2" x 5' 5 3/8"



3.) Side walls (bougainvillea wall & dock wall) - 11' x 6'

4.) Greece ground row - 6'6" top height by 32' wide and the waves is 2' top height by 32' wide