

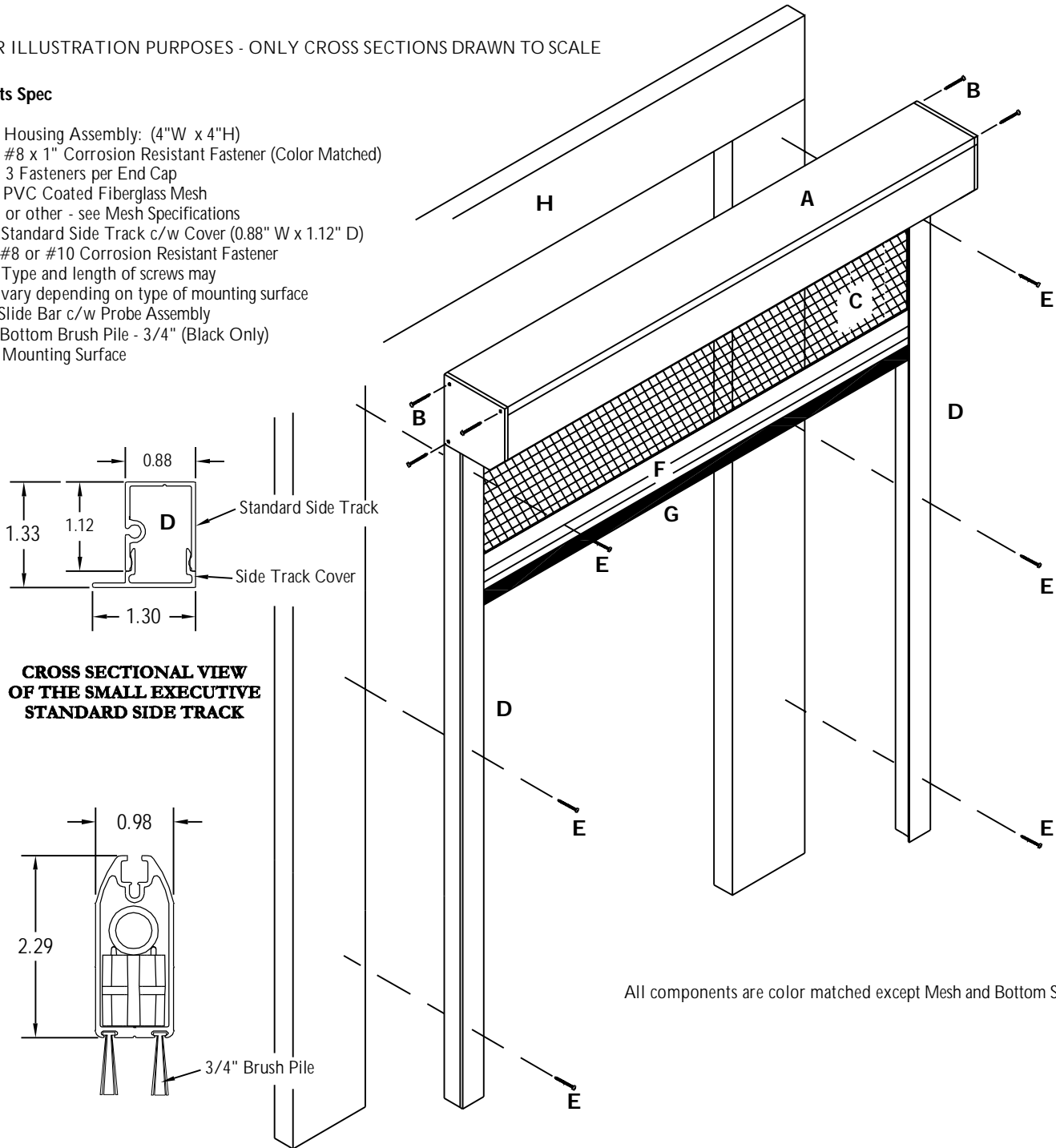
Small Executive Design Specifications - System With Standard Side Track

(External Assembled View)

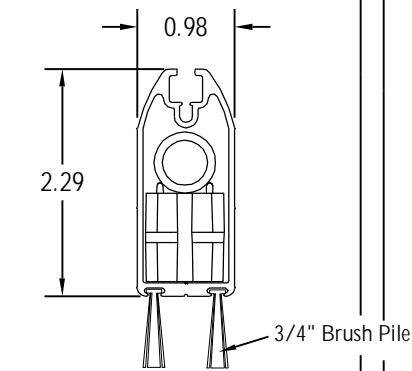
FOR ILLUSTRATION PURPOSES - ONLY CROSS SECTIONS DRAWN TO SCALE

Parts Spec

- A Housing Assembly: (4"W x 4"H)
- B #8 x 1" Corrosion Resistant Fastener (Color Matched)
3 Fasteners per End Cap
- C PVC Coated Fiberglass Mesh
or other - see Mesh Specifications
- D Standard Side Track c/w Cover (0.88" W x 1.12" D)
- E #8 or #10 Corrosion Resistant Fastener
Type and length of screws may
vary depending on type of mounting surface
- F Slide Bar c/w Probe Assembly
- G Bottom Brush Pile - 3/4" (Black Only)
- H Mounting Surface



**CROSS SECTIONAL VIEW
OF THE SMALL EXECUTIVE
STANDARD SIDE TRACK**



**CROSS SECTIONAL VIEW
OF THE SMALL EXECUTIVE
SLIDE BAR AND BRUSH PILE**

All components are color matched except Mesh and Bottom Seal.