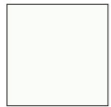


ACCESSORY DATA SHEET

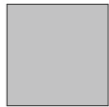
- Fascia is a decorative cover that hooks onto a SoloMount bracket to hide the shading hardware from view.
- Since it requires no tools to install, fascia can be ordered with your shading system or added any time after installation.
- This fascia is used for front applications for regular roll shades or rear applications for reverse roll shades.
- Content: Aluminum Alloy
- Can be cut to size or shipped in full length pieces.
- Max Length: 16' (192")
- Available in five colors.



White (-10)



Ivory (-04)



Silver (-20)



Bronze (-50)



Black (-90)

This Fascia is compatible with the following shading systems:

- HeliaRise H200 Piggyback SoloMount
- MotoRise MR150 Piggyback SoloMount
- MotoRise MR250 Piggyback SoloMount

7" FRONT FASCIA

Part Numbers:

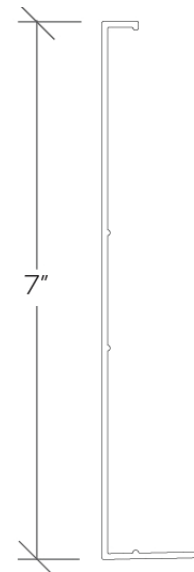
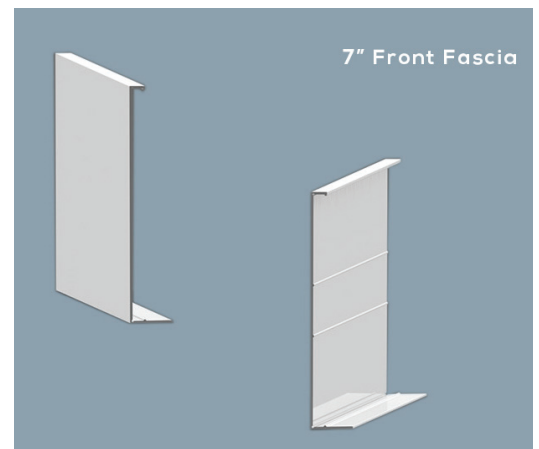
FH70-10 (White)

FH70-04 (Ivory)

FH70-20 (Silver)

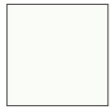
FH70-50 (Bronze)

FH70-90 (Black)



ACCESSORY DATA SHEET

- Fascia is a decorative cover that hooks onto a SoloMount bracket to hide the shading hardware from view.
- Since it requires no tools to install, fascia can be ordered with your shading system or added any time after installation.
- This fascia is used for rear applications for regular roll shades or front applications for reverse roll shades.
- Content: Aluminum Alloy
- Can be cut to size or shipped in full length pieces
- Max Length: 16' (192")
- Available in five colors.



White (-10)



Ivory (-04)



Silver (-20)



Bronze (-50)



Black (-90)

This Fascia is compatible with the following shading systems:

- HeliaRise H200 Piggyback SoloMount
- MotoRise MR150 Piggyback SoloMount
- MotoRise MR250 Piggyback SoloMount

7" REAR FASCIA

Part Numbers:

RH70-10 (White)

RH70-04 (Ivory)

RH70-20 (Silver)

RH70-50 (Bronze)

RH70-90 (Black)

