

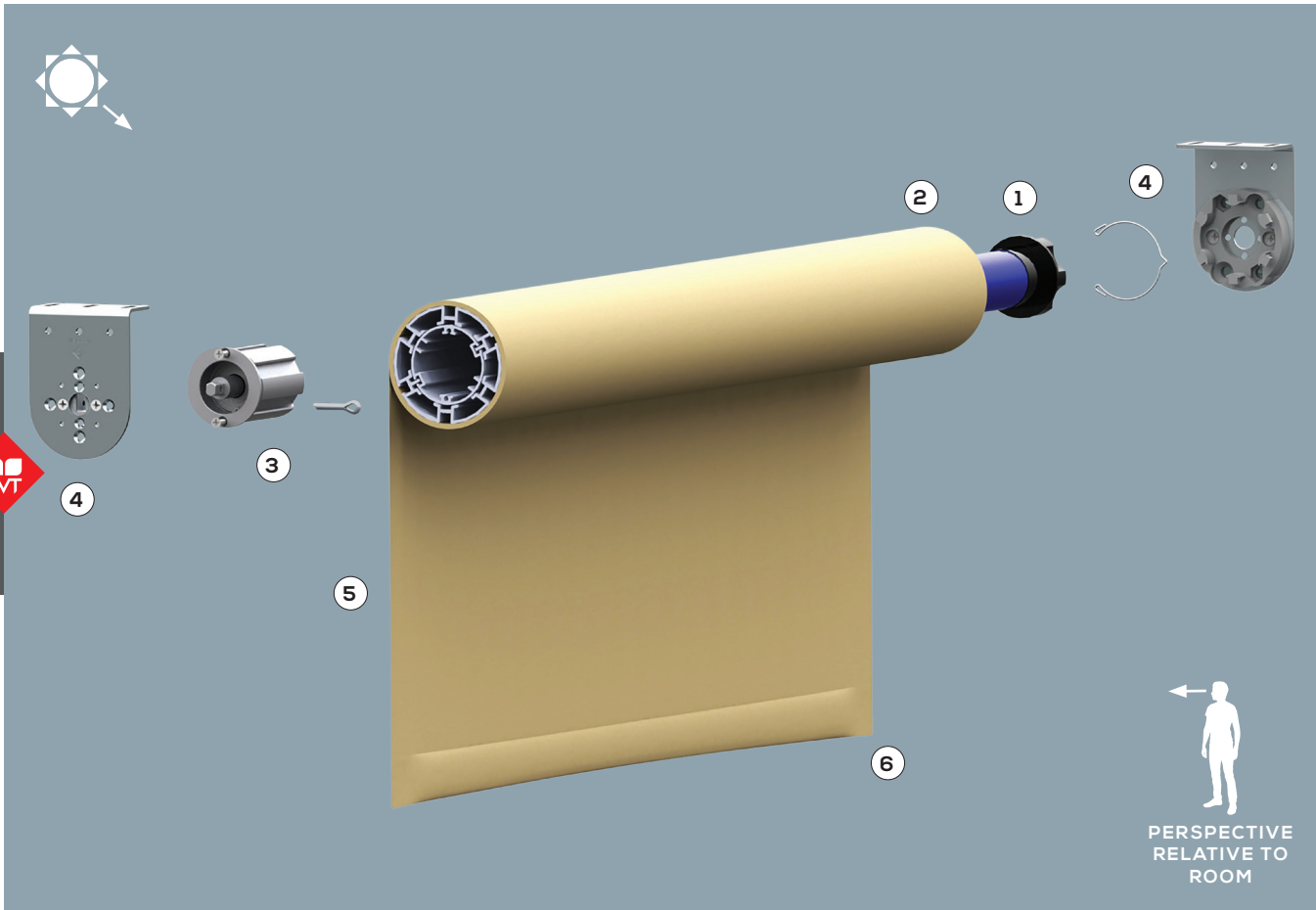
MotoRISE[®] MR350 SLIM SYSTEM

MOTORIZED ROLLER SHADE • LINE VOLTAGE • LARGE SIZE SHADES

Garden City Park, New York 11040

MOTORISE[®]

(T) 877.294.3580 • (F) 516.294.0444 • (E) info@WTShade.com • 77 Second Avenue



The above system is shown Drive Right, Regular Roll. Brackets shown in Ceiling Mount position.

MODEL:
MR350SL-3.5

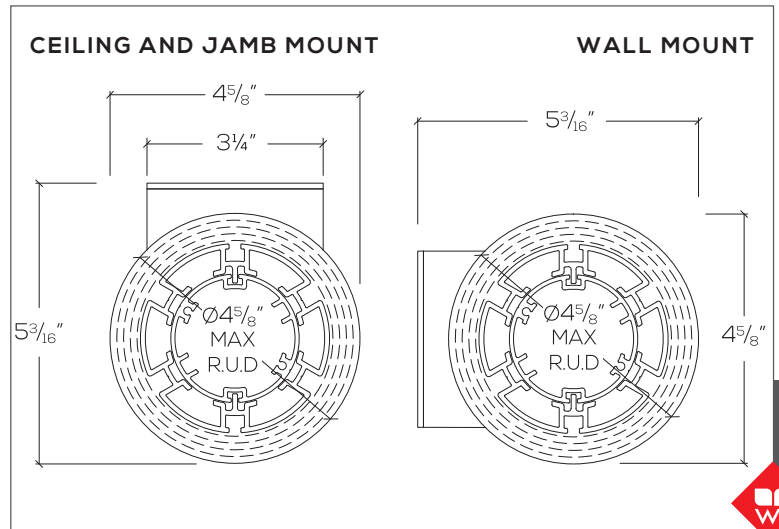
ADDITIONAL INFORMATION

STANDARD COMPONENTS		
①	MOTOR WITH ADAPTERS	See Motor Reference Guide for available motors.
②	NESTED ROLLER TUBE	Contains (2) Nested Roller Tubes- 2.38"/3.5" Diameter. Content: Aluminum Alloy.
③	HEAVY DUTY IDLER WITH SET PIN	Retractable. Available in Mill Finish (-99) as shown.
④	SLIM BRACKETS WITH RETAINER RING	Ceiling, Jamb or Wall Mount capable. Drive Right or Drive Left. Standard finish is Zinc Plated (-49) as shown.
⑤	FABRIC	See fabric selection for all available options.
⑥	SEALED HEMBAR	Alternative options available including external, round or heavy duty styles. May require alternative hembar for some accessory compatibility.
OPTIONAL		
N/A	MOTOR CONTROL	(Not Shown) SOLD SEPARATELY See Communication Guides for available control options.

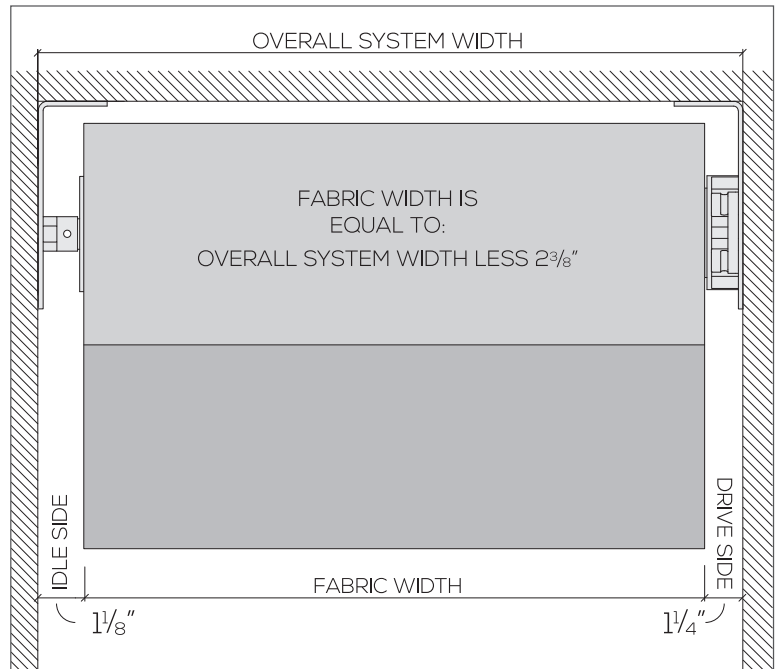
SYSTEM FEATURES

- ◆ Brackets are capable of Ceiling, Wall or Jamb mounting.
- ◆ Regular or Reverse Roll available. Motor may be Drive Right or Drive Left.
- ◆ MotoRise Shading Systems offer multiple options and accessories, including various Hembar styles.
- ◆ All WT Shade roller shades are available in the *exclusive* line of sustainable solar protection fabrics by EcoFabrix. To view all available fabrics, visit EcoFabrix.com.
- ◆ See Motor Reference Guide for all compatible motor options.
- ◆ MotoRise shades require a Motor Control in order for the shade to operate. All Motor Controls are sold separately. See Communication Guides for Motor Control information.
- ◆ Best For Kids Certified! Visit WCMANet.org for more information.
- ◆ Construction Documents for this system and others available at WTShade.com.

SECTION VIEW



EDGE CLEARANCES



SYSTEM CAPABILITIES

WIDTH	120"	132"	144"	156"	168"	180"	192"
LENGTH	240"	240"	240"	240"	240"	180"	90"

Width and length may vary depending on the selected shade fabric. The measurements given above are based on EcoFabrix 253. These measurements are for guideline purposes only and in no way guarantee that a shade with any other fabric can be made to these dimensions.



This product contains no cords and has been certified that it is safe to use around children.

