

MotoRISE® MR250 PIGGYBACK SLIM SYSTEM

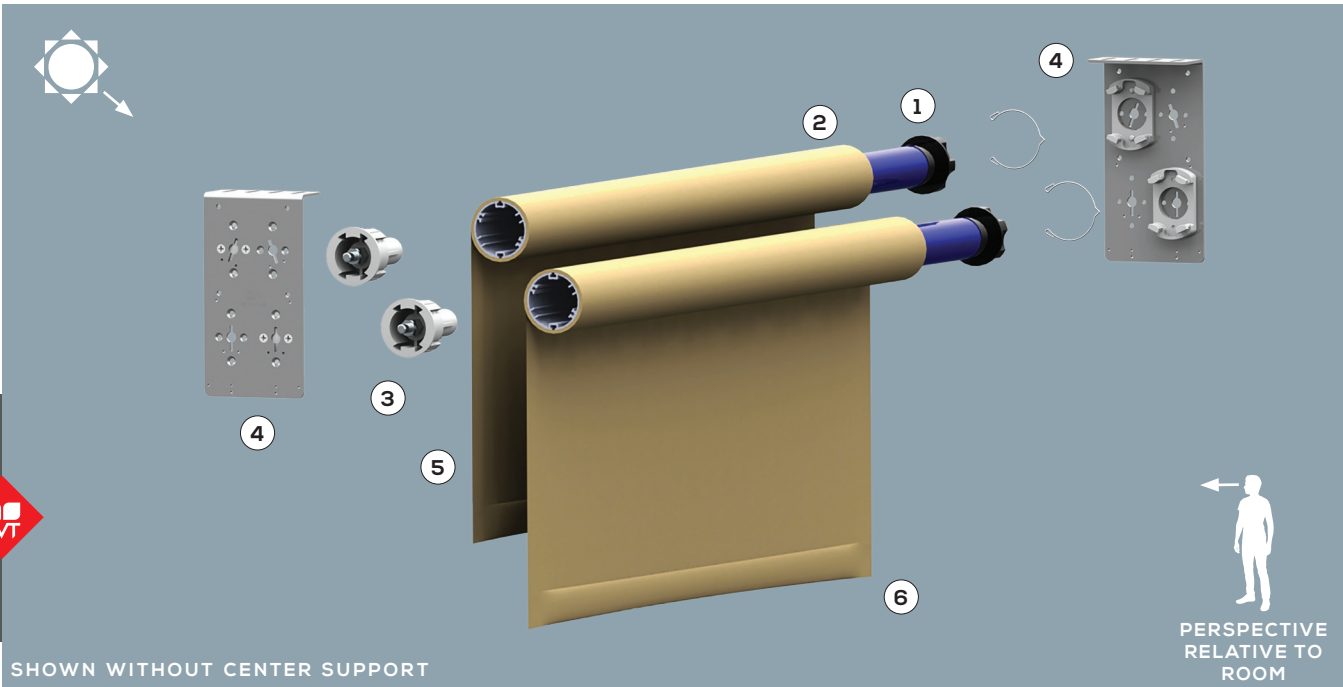
MOTORIZED DOUBLE ROLLER SHADE • LINE VOLTAGE • MEDIUM-LARGE SIZE SHADES

Garden City Park, New York 11040

MOTORISE®



(T) 877.294.3580 • (F) 516.294.0444 • (E) info@WTShade.com • 77 Second Avenue



SHOWN WITHOUT CENTER SUPPORT

PERSPECTIVE
RELATIVE TO
ROOM

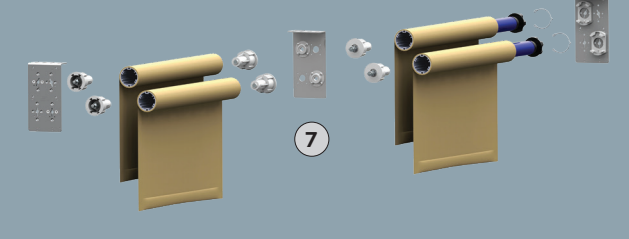
The above system is shown Drive Right, Regular Roll.

ADDITIONAL INFORMATION

MODEL:
MR250PBSL-2.38

STANDARD COMPONENTS		
①	MOTOR WITH ADAPTERS	See Motor Reference Guide for available motors.
②	ROLLER TUBE	2.38" Diameter. Content: Aluminum Alloy.
③	IDLER	Retractable. Available in White (-10) as shown, or Black (-90) and will be color coordinated based on fabric color.**
④	PIGGYBACK SLIM BRACKETS WITH RETAINER RINGS	Can be Ceiling/Jamb or Wall Mounted (Wall Mount requires Wall Mount Angle). Drive Right or Drive Left. Standard finish is Zinc Plated (-49) as shown.**
⑤	FABRIC	See fabric selection for all available options.
⑥	SEALED HEMBAR	Alternative options available including external, round or heavy duty styles. May require alternative hembar for some accessory compatibility.
OPTIONAL		
⑦	CENTER SUPPORT INCLUDES CENTER SUPPORT BRACKET, TANGS AND FORKS.	Multibanded option available up to 6 bands. Can be Ceiling or Wall Mounted. Drive Right or Drive Left. Standard finish is Zinc Plated (-49) as shown.**

SHOWN WITH CENTER SUPPORT



OPTIONAL		
N/A	WALL MOUNT ANGLE	(Not Shown) Required for wall mount applications with rear fascia. Size: 5 3/4" x 4 1/4" x 1 1/2"
N/A	MOTOR CONTROL	(Not Shown) SOLD SEPARATELY See Communication Guides for available control options.



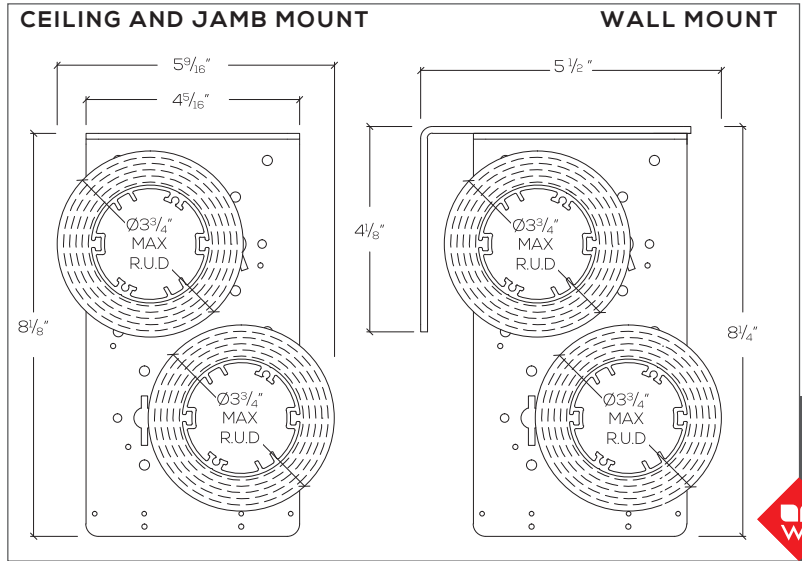
Motor and idler connection is available in White (-10) and Black (-90) and will be color coordinated based on fabric color.
***See Color Coordination Guide for more information.



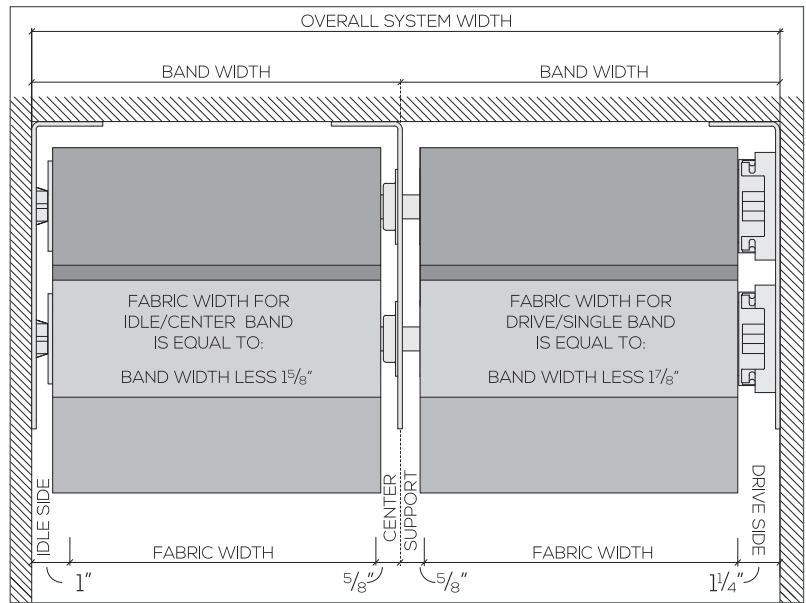
SYSTEM FEATURES

- ◆ **Piggyback** shades feature two independently operated shades hung staggered, one on top of the other, on a single bracket.
- ◆ Specially engineered to fit inside our **CP69** and **CP69TS** Ceiling Pockets!
- ◆ Brackets may be ordered for Ceiling/Jamb, or Wall mounting. Wall mount may require use of the Wall Mount Angle.
- ◆ *Regular Roll shades only.* Motor may be Drive Right or Drive Left.
- ◆ Some MotoRise components are available in White (-10) and Black (-90). WT Shade will color coordinate based on the selected fabric color. See Color Coordination Guide for specific information.
- ◆ MotoRise Shading Systems offer multiple options and accessories, including various Hembar styles.
- ◆ All WT Shade roller shades are available in the *exclusive* line of sustainable solar protection fabrics by EcoFabrix. To view all available fabrics, visit EcoFabrix.com.
- ◆ See Motor Reference Guide for all compatible motor options.
- ◆ MotoRise shades require a Motor Control in order for the shade to operate. All Motor Controls are sold separately. See Communication Guides for Motor Control information.
- ◆ Best For Kids Certified! Visit WCMANet.org for more information.
- ◆ Construction Documents for this system and others available at WTShade.com.

SECTION VIEW



EDGE CLEARANCES



SYSTEM CAPABILITIES

WIDTH	84"	96"	108"	120"	132"	144"	156"
LENGTH	240"	240"	240"	240"	234"	132"	66"

Width and length may vary depending on the selected shade fabric. The measurements given above are based on EcoFabrix 253. These measurements are for guideline purposes only and in no way guarantee that a shade with any other fabric can be made to these dimensions.



This product contains no cords and has been certified that it is safe to use around children.

