

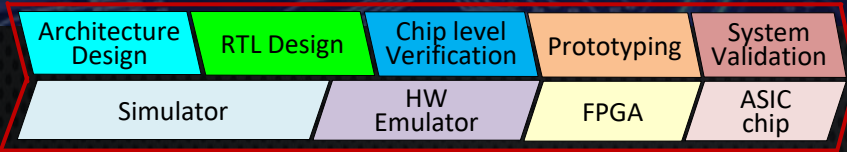
VARON™

AMBA Performance Analyzer

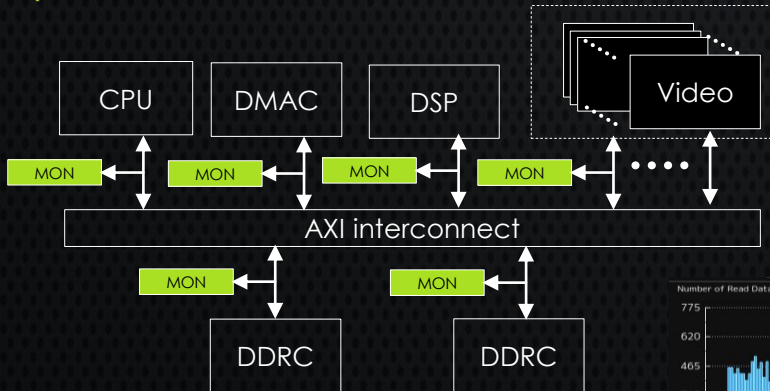
The only complete solution in the industry for AMBA transaction performance analysis with reconfigurable on-chip verification IP and proprietary GUI. VARON is featured by:

- A single verification IP configurable by port group for AXI3, AXI4, ACE and APB
- Quick and systematic analysis with rich portfolio of performance charts and tool-tips to visualize bus usage efficiency and responsiveness
- Minimum speed degradation with simulator, hardware emulator, FPGA device and ASIC chip
- Short few minutes to performance analysis

Covers the entire process of LSI design verification

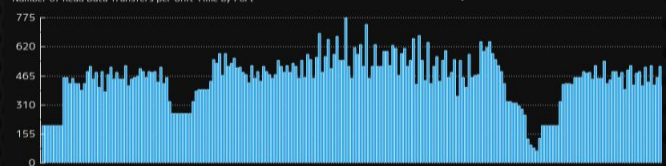


Implements VARON monitor IP into DUT



Easy analysis with rich charts

Data transfer amount per unit time



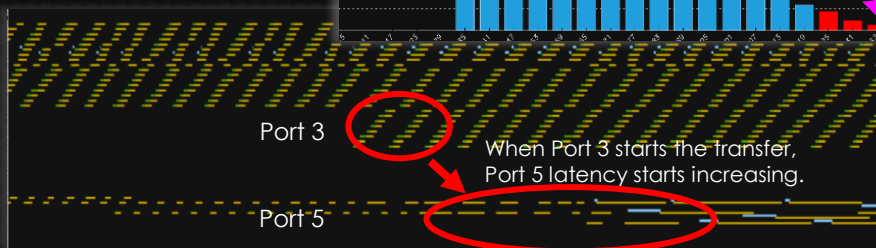
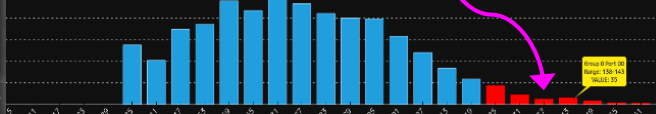
Highlights long latency transactions

Transactions by AXI ID are cycle accurately mapped.

Transaction timing chart



Latency histogram



Root cause analysis of long latency